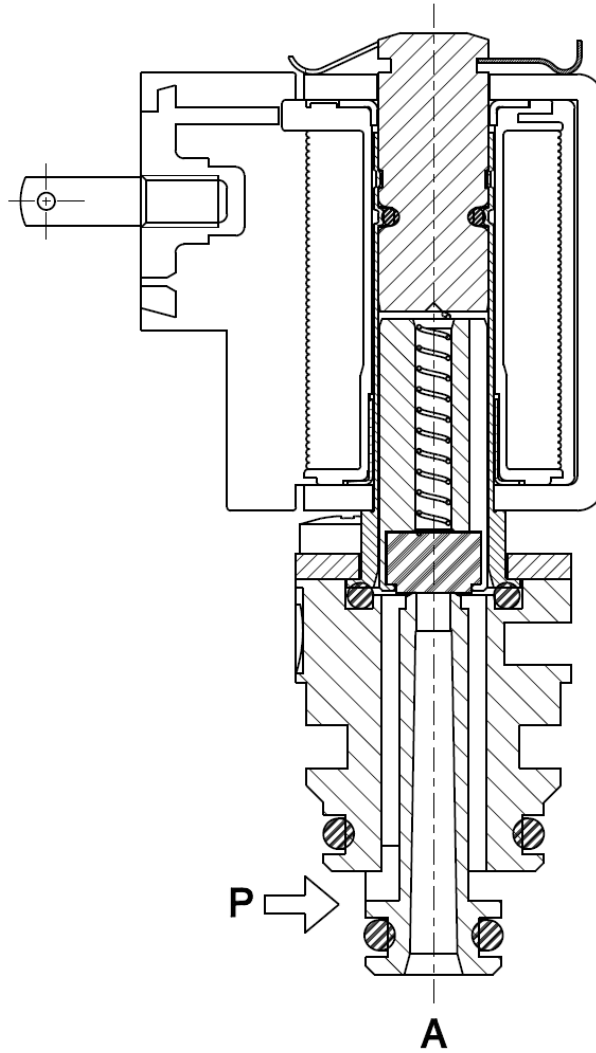


V124D03

► SECTIONAL VIEW



► INSTALLATION

- Machine the sub-base or the equipment first.
- Solenoid valve can be mounted in any position; vertical with coil upwards preferred.

THE VALIDITY OF REPORTED DATA IS REFERRED TO THE DATE OF ISSUE. POSSIBLE UPDATES ARE AVAILABLE ON REQUEST.