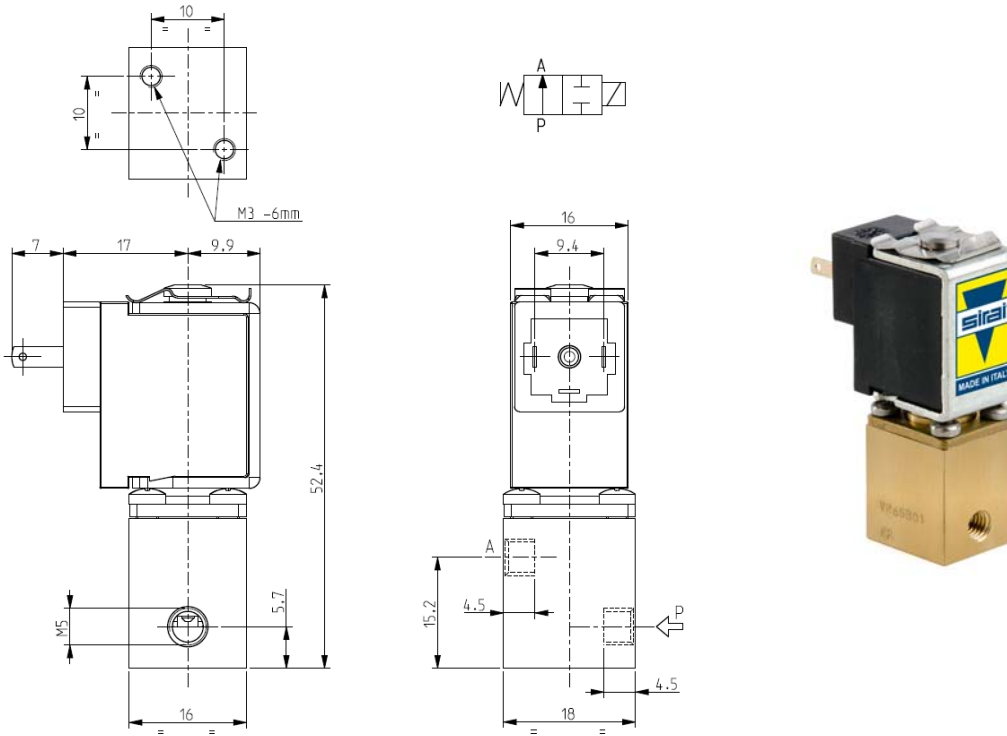




**MICRO SOLENOID VALVE**  
**2/2 - NO (Normally open)**  
 Direct acting  
**M5**

**V265**



► **GENERAL FEATURES**

Direct acting micro solenoid valve; minimum overall dimensions.  
 Quick response time and high number of cycles.  
 Suitable to shut off liquid and gaseous fluids (verify the compatibility of fluid with materials in contact).

► **TECHNICAL FEATURES**

*Maximum allowable pressure (PS)* 16 bar  
*Opening time* from ~5ms to ~10ms  
*Closing time* from ~5ms to ~10ms  
*Fluid temperature* -10°C +90°C  
*Max viscosity* 3°E (~22 cStokes or mm<sup>2</sup>/s)

► **MATERIALS IN CONTACT WITH FLUID**

*Body* Brass  
*Sealing* NBR  
*Internal components* Brass, PEI (Polyetherimide) and stainless steel  
*Seat* PEI  
*Core tube* Brass

► **COIL**

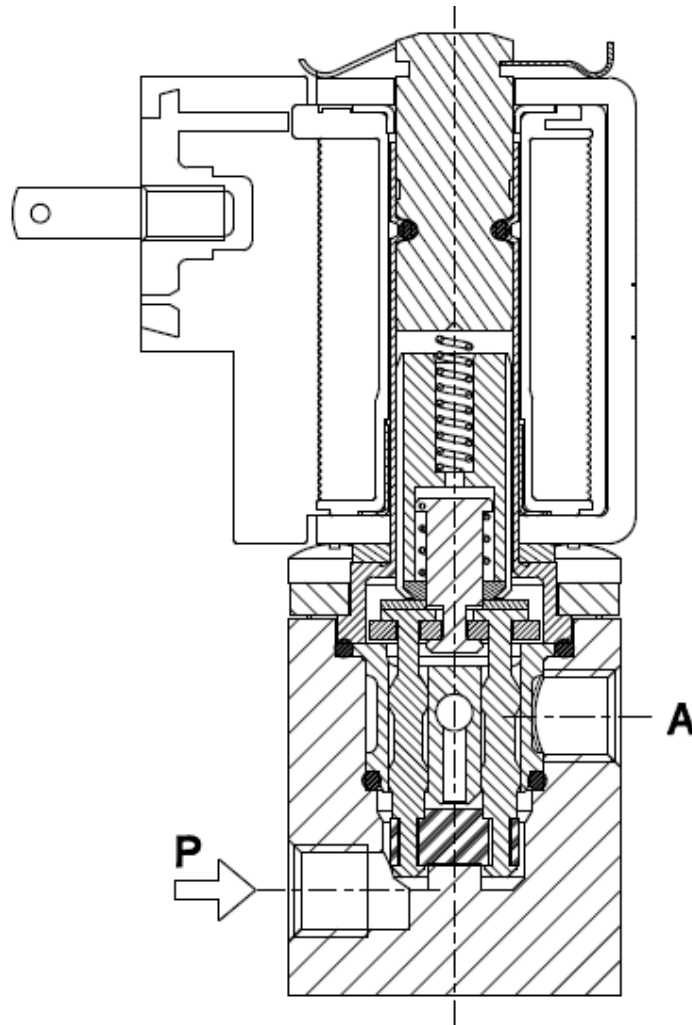
*Continuous duty* ED 100%  
*Encapsulation material* PA (Polyamide) fiberglass reinforced  
*Coil insulation class* F (155°C)  
*Ambient temperature* -10°C +60°C  
*Electric connections* DIN 46340  
*Protection degree* IP 65 (EN 60529) with micro plug connector  
*Voltages DC* 12-24V (+10% -5%)  
 (Other voltages on request)

Port size ISO-UNI 4534	Orifice size (mm)	Differential pressure (bar)				Kv (m <sup>3</sup> /h)	Series and type		Power absorption			Sealings	Notes	Weight (kg)	
		Δp min	Δp max				Valve	Coil	AC. (VA)		DC. (W)				
			Gases		Liquids				Inrush	Holding					
			AC	DC	AC										DC
M5	1	0	-	10	-	10	V265B01	ZE30A	-	-	4	NBR	1		
	2		-	3,5	-	3,5							0,10	-	

► **NOTES**

- These micro-solenoid valves are not suitable for stagnating media subject to vaporization which deposit solid, calcareous, incrusting residues or similar.
- Seal: NBR = Nitrile butylene elastomer
- 1 - Model available on request only: ask for minimum quantity.

## ► SPARE PARTS



## ► MOUNTING

Solenoid valve can be mounted in any position; vertical with coil upwards preferred.

THE VALIDITY OF REPORTED DATA IS REFERRED TO THE DATE OF ISSUE. POSSIBLE UPDATES ARE AVAILABLE ON REQUEST.