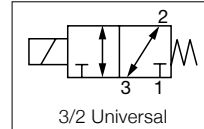
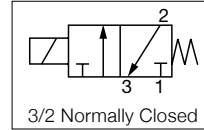
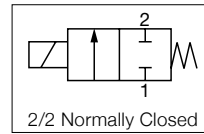


# ASCO™ MINIATURE SOLENOID VALVES

## GENERAL SERVICE VALVES

- The 411 Series solenoid valves are designed for use with air and inert gases
- Manifold mount construction that is suitable for a wide variety of gas applications
- Compact light-weight architecture and low power consumption make them ideal for portable medical devices
- Exceptional service lifetime over 100 million cycles that increases OEM instrument reliability
- Meets all relevant CE directives, and is RoHS compliant
- Typical applications include:
  - Respiratory Therapy
  - Patient Monitoring
  - Compression Therapy (DVT)
  - Robotic Pharmacy Dispensing



Fluids	Temperature Range	Seal Materials
Air or Inert Gas, non-lubricated <sup>1</sup>	-23 °C to 60 °C (-10 °F to 140 °F)	FKM, NBR, EDPM

<sup>1</sup> filtered at 10 µm

NOTE: Additional constructions and options are available including alternate elastomers and orifice sizes. Minimum quantities apply.

General Valve Information*	
Body	PBT, 300 Series stainless steel
Others	PBT, 400 Series stainless steel, 300 Series stainless steel
Response Time	< 10ms
Vacuum Rating	-0.9 bar (-13 psi)

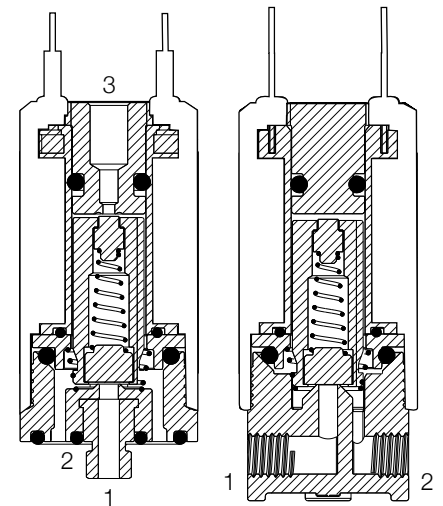
\* Other materials on request

Electrical Characteristics	
Standard Voltages*	5 VDC, 6 VDC, 12 VDC, 24 VDC
Power Consumption	0.65 to 2.0 W

\* Other voltages on request

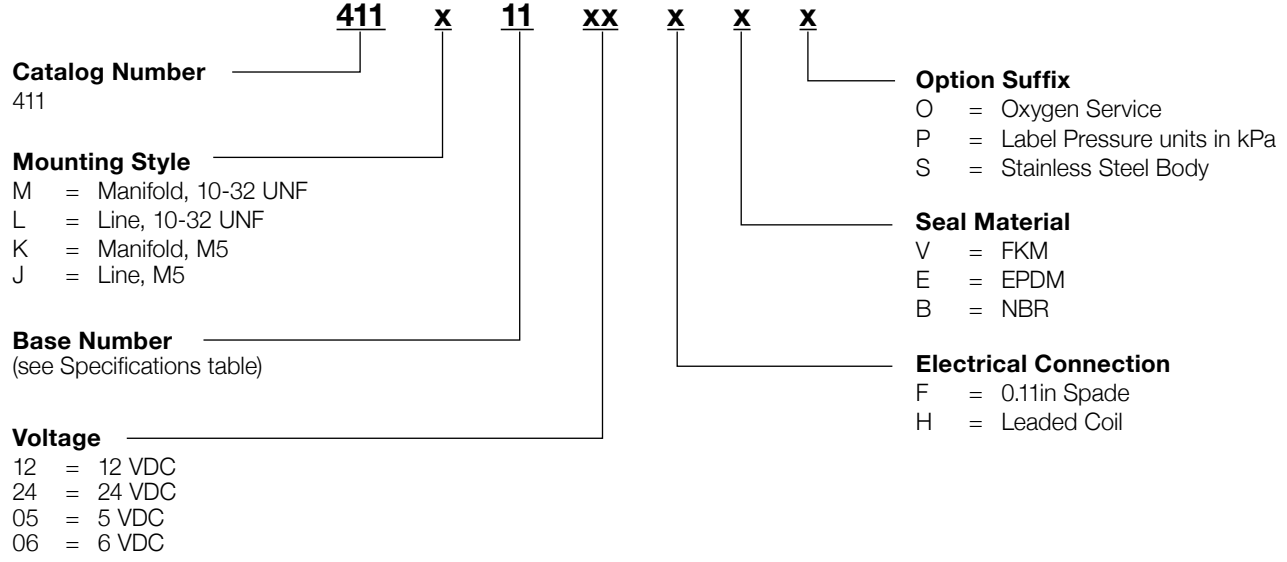
NOTE: The solenoid valves are designed for continuous operation within the maximum ambient temperature limits.

Insulation Class	Coil Insulation	Protection	Ambient Temperature Range	Electrical Connection
	°C (°F)		VA	
B	130 (266)	-	-23 to 60 (-10 to 140)	0.11in Spade, 24 AWG Lead Wire



Specifications									
Orifice Size		Flow Coefficient				Operating Pressure bar (psi)		Power	Catalog Number
mm (inches)		Kv (m³/h)		Cv		min.	max.	W	
Port 1	Port 3	Port 1	Port 3	Port 1	Port 3				
<b>2/2 NC - Normally Closed</b>									
0.76 (0.030)	-	0.022	-	0.013	-	-0.9 (-13)	6.9 (100)	0.65	411x11xxxx
1.4 (0.055)	-	0.066	-	0.040	-	-0.9 (-13)	6.9 (100)	2.0	411x21xxxx
2.0 (0.080)	-	0.116	-	0.071	-	-0.9 (-13)	2.1 (30)	2.0	411x31xxxx
<b>3/2 NC - Normally Closed</b>									
0.76 (0.030)	0.63 (0.025)	0.022	0.010	0.013	0.006	-0.9 (-13)	6.9 (100)	0.65	411x12xxxx
1.4 (0.055)	1.3 (0.050)	0.066	0.055	0.040	0.033	-0.9 (-13)	6.9 (100)	2.0	411x22xxxx
2.0 (0.080)	1.3 (0.050)	0.116	0.055	0.071	0.033	-0.9 (-13)	2.1 (30)	2.0	411x32xxxx
<b>3/2 U - Universal</b>									
0.76 (0.030)	0.63 (0.025)	0.022	0.010	0.013	0.006	-0.9 (-13)	6.9 (100)	0.65	411x13xxHx
1.4 (0.055)	1.3 (0.050)	0.066	0.055	0.040	0.033	-0.9 (-13)	3.4 (50)	2.0	411x23xxHx
2.0 (0.080)	1.3 (0.050)	0.116	0.055	0.071	0.033	-0.9 (-13)	2.1 (30)	2.0	411x33xxHx

**How to Order**



**NOTE:** Oxygen Service valves available with FKM or EPDM Seals only. UL / CSA available with 300 Series Stainless Steel Body. 3-Way Universal operation only available with leaded coil electrical connection (H).

- Ordering Examples:**
- 411M1124FV** = 2-way normally closed manifold mount valve with 0.76mm (0.030in) orifice, 24 VDC coil rating at 0.65 Watts, .110 spade connection, FKM seals
  - 411L3212HV** = 3-way normally closed line mount valve with 2.0mm (0.080in) orifice, 12 VDC coil rating at 2.0 Watts, leaded coil, FKM seals
  - 411K1124HVOS** = 2-way normally closed manifold mount and M5 stud with 0.76mm (0.030in) orifice, 24 VDC coil rating at 0.65 Watts, leaded coil, FKM seals, clean for Oxygen use and Stainless Steel body

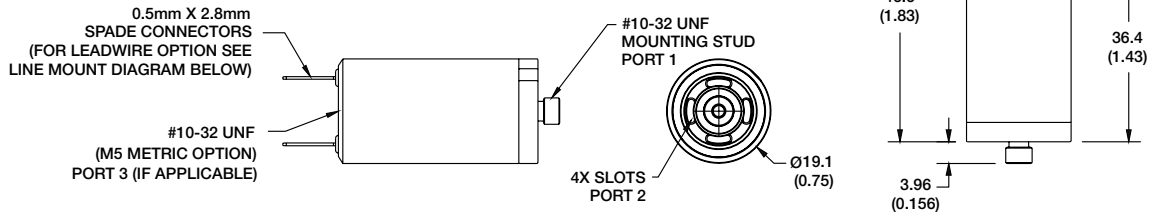
# ASCO™ MINIATURE SOLENOID VALVES

## GENERAL SERVICE VALVES

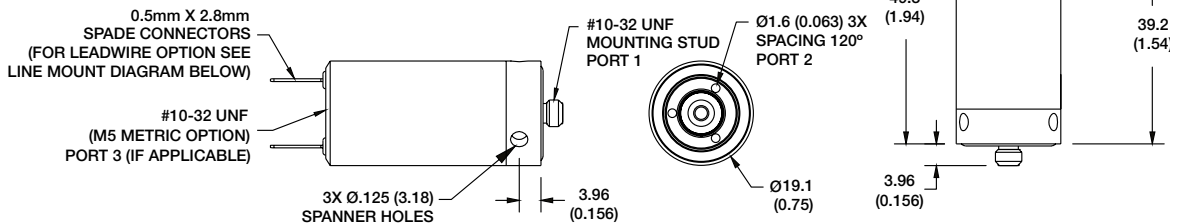
Dimensions: mm (inches)

### 2- and 3-Way Manifold Mount Solenoid

**PBT Body**

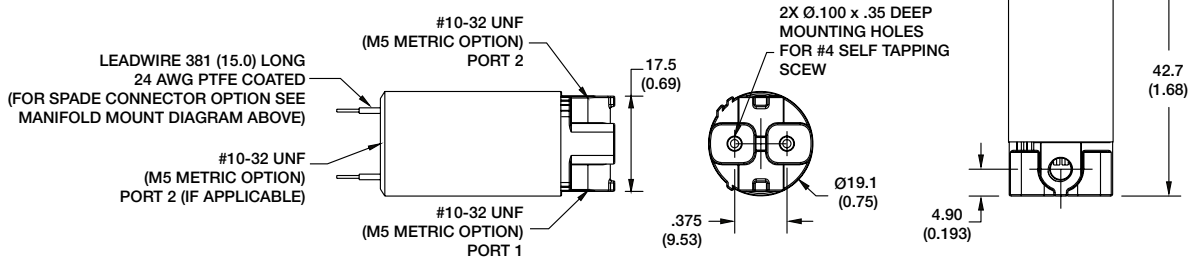


**Stainless Steel Body**

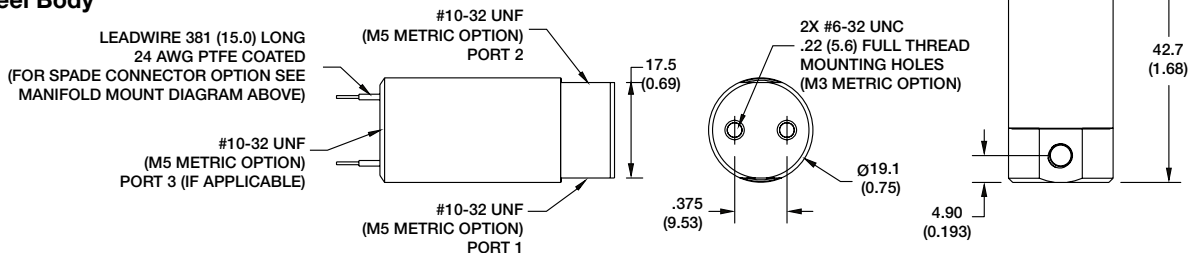


### 2- and 3-Way Line Mount Solenoid

**PBT Body**



**Stainless Steel Body**



01071GB-2019-R01

