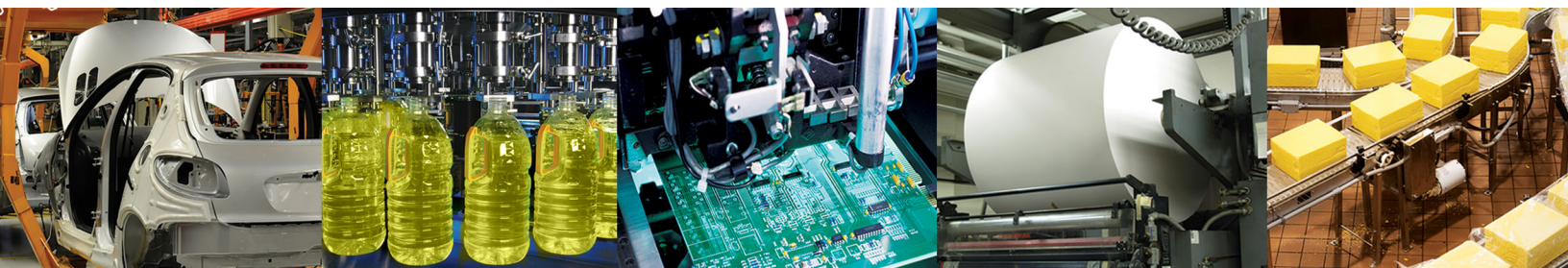




Disposable In-Line Filters

High Efficiency Miniature Filtration Products



Features – Dual Barbed and Straight Type

- Max pressure at 125 PSI (8.6 bar)
- Max temperature at 152 °C (25 °F)
- Rugged polyurethane housing with dual barb style
- Rugged nylon housing with straight style
- Compatible with many chemicals
- Depth-loading coalescing media provides long life.
- Dual barb for 1/4 and 1/8 ID soft tubing
- Straight tang for push-on fittings
- Oil indicating dye – turns red with oil present (see option D)
- Epoxy element binder – standard – grades R, S, T, U
- PTFE element binder (see option T)
- Flow outside to inside element (cap to body)

Applications

- Sensor Protection
- Pneumatic Logic
- Exhaust Muffler
- Medical/ Pharmaceutical
- Instrumentation
- Gas Sampling

Flow Rates for PLS-B								
Pressure	PSIG (bar)	10 (0.7)	20 (1.4)	40 (2.8)	60 (4.1)	80 (5.5)	100 (6.9)	125 (8.6)
Flow*	SCFM (lpm)	1.1 (31.1)	1.3 (36.8)	1.8 (51.0)	2.1 (59.5)	2.4 (67.9)	2.6 (73.6)	2.8 (79.3)

* Based on a 1.5 psid pressure drop

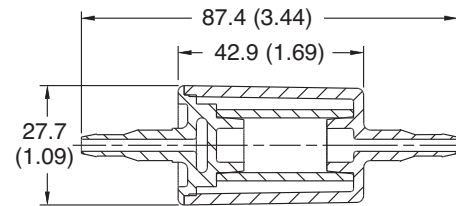
Flow Rates for PLS-T								
Pressure	PSIG (bar)	10 (0.7)	20 (1.4)	40 (2.8)	60 (4.1)	80 (5.5)	100 (6.9)	125 (8.6)
Flow*	SCFM (lpm)	1.6 (45.3)	2.1 (59.5)	2.8 (79.3)	3.6 (102.0)	3.9 (110.4)	4.4 (124.6)	4.9 (138.8)

* Based on a 1.5 psid pressure drop

PL Series - Dual Barbed

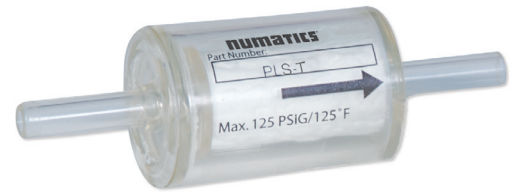


PLS-B

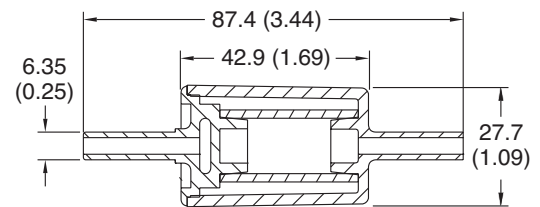


Dimensions in mm (inches)

PL Series - Straight



PLS-T



Dimensions in mm (inches)

How to Order



Series

PL = Plastic In-Line

Options

- ^{1 & 2} D = Oil indicating Dye (FD&C approved)
- T = PTFE Binder R, S, T and U grades only

Element Grades

- R = 0.01 Micron
- S = 0.3 Micron
- T = 0.5 Micron
- U = 1 Micron
- P = 5 Micron (Particulate)
- F = Activated Carbon
- X = Silica Gel

Port Option

- B = Dual Barbed
- T = 1/4" Straight

¹ Not available on grades P, F and X
² FD&C = Food, Drug & Cosmetic

Features – Straight and Elbow Fitting Type

- Max pressure at 35 PSI (2.4 bar)
- Max temp at 52 °C (125 °F)
- Rugged blue tinted nylon housing
- Straight barb option
- Depth-loading coalescing media provides long life
- Element binder is epoxy – Standard for grades R, S, T, U
- PTFE binder optional for elements (see option T)
- Flow outside to inside element (cap to body)

Applications

- Protection of miniature pneumatic components
- Sampling devices
- Small design areas
- Exhaust muffler
- Instrumentation
- Gas sampling

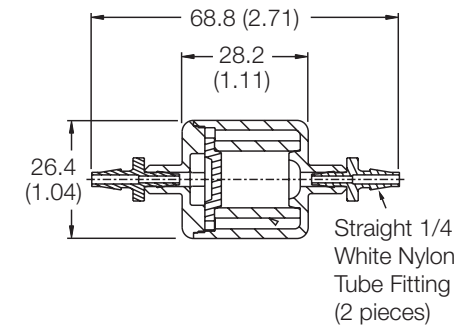
Flow Rates for PTS-B					
Pressure	PSIG (bar)	5 (0.35)	10 (0.7)	20 (1.4)	35 (2.4)
Flow*	SCFH (lpm)	19 (9.0)	22 (10.4)	26 (12.3)	34 (16.1)

* Based on a 1.5 psid pressure drop

PT Series - Straight Fitting



PTS-B



Dimensions in mm (inches)

How to Order

PT S - B D

Series _____
 PT = Plastic In-Line

Element Grades _____
 R = 0.01 Micron
 S = 0.03 Micron
 T = 0.5 Micron
 U = 1 Micron

Options (specify alphabetically as required)
 * D = Oil indicating Dye (FD&C approved)
 T = PTFE Binder R, S, T and U grades only

Port Option
 B = 1/8" Straight tube fitting

* FD&C = Food, Drug & Cosmetic

Features – PH Series Filters

- Max pressure 100 PSIG (6.9 bar)
- Max temp 93 °C (200 °F)
- 149 °C at 60 PSIG 4.1 bar/300 °F
- Rugged polyester housing
- Brass inserts
- Inner support core which protects element from collapsing
- Spin welded seal – no adhesives or chemicals
- Thermally bonded end caps on elements
- Extended version for longer filter life
- HEPA – High Efficiency Particulate Air
- ULPA – Ultra Low Particulate Air

Applications

- Oxygen concentrators
- Intake filter
- After filter for miniature desiccant beds
- High flow pneumatic tools
- Critical instrumentation protection

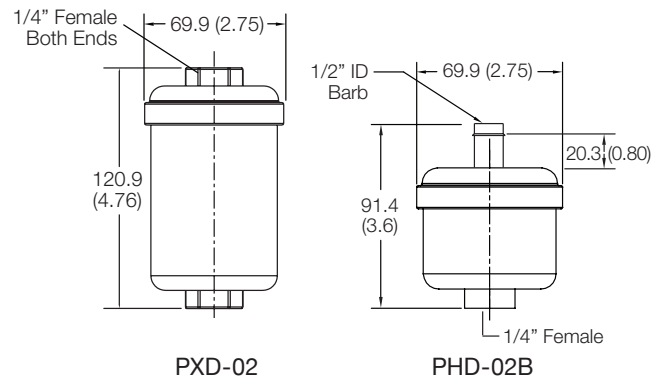
Flow Rates for PHD							
Pressure	PSIG (bar)	10 (0.7)	20 (1.4)	40 (2.8)	60 (4.1)	80 (5.5)	100 (6.9)
Flow*	SCFM (lpm)	14 (396.4)	17.5 (495.5)	22.4 (634.3)	26.8 (758.9)	30.8 (872.2)	34.3 (971.3)

* Based on a 1.5 psid pressure drop

Flow Rates for PXD							
Pressure	PSIG (bar)	10 (0.7)	20 (1.4)	40 (2.8)	60 (4.1)	80 (5.5)	100 (6.9)
Flow*	SCFM (lpm)	17.5 (495.5)	20.7 (586.2)	26.4 (747.6)	31 (877.8)	35.3 (1000.0)	39.3 (1113.0)

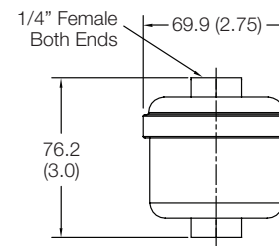
* Based on a 1.5 psid pressure drop

PH Series Filters



PXD-02

PHD-02B



PHD-02

Dimensions in mm (inches)

How to Order

PH D - 02 B

Series

- PH = Plastic High Flow Housing
- PX = Plastic Extended Housing

Element Grades

- B = 3.0 Micron Pleat
- D = 0.3 Micron Pleated HEPA – 99.97% efficiency
- E = 0.3 Micron Pleated ULPA – 99.999% efficiency

Options

- B = 1/2" barb on outlet only

Port Tap Size

- 02 = 1/4 NPT

Features – PH Series Desiccant Dryers

- In-Line Desiccant Dryers – -1 °C (30 °F) dew point
- Max pressure 100 PSIG (6.9 bar)
- Max temp 66 °C (150 °F)
- Rugged clear polycarbonate housing
- Integral 3µ filter paper inlet and outlet – blue silica gel turns pink when saturated indicating replacement
- Brass inserts
- Spin welded seal – no adhesives or chemicals

Applications

- Critical instrumentation protection
- Parts blow off
- Paint spray

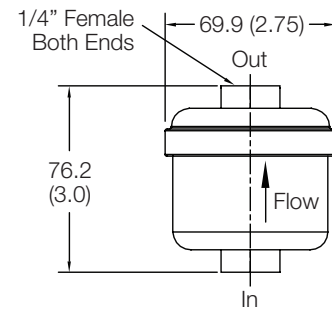
Flow Rates for PHS							
Pressure	PSIG (bar)	10 (0.7)	20 (1.4)	40 (2.8)	60 (4.1)	80 (5.5)	100 (6.9)
Flow*	SCFH (lpm)	5.5 (155.7)	7.0 (198.2)	10.0 (283.2)	12.5 (354.0)	14.5 (410.6)	15.5 (438.9)

* Based on a 1.5 psid pressure drop

PH Series Desiccant Dryers

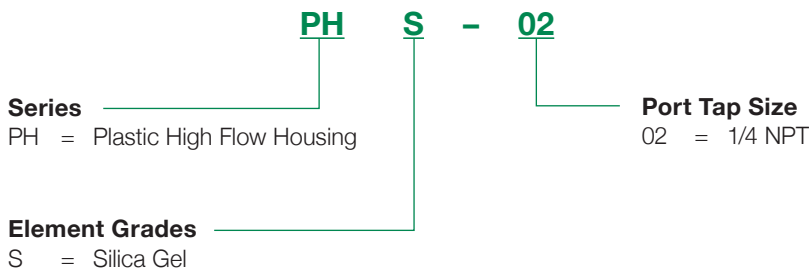


PHS-02



Dimensions in mm (inches)

How to Order



Features – MF Series Miniature In-Line Filters

- Max pressure 150 PSIG (10 bar)
- Max temp 93 °C (200 °F)
- Aluminum construction
- Replaceable element
- Compact design
- Miniature coalescing capability

Applications

- Miniature air tools
- Control panels
- Outdoor applications

Flow Rates for MF05S								
Pressure	PSIG (bar)	10 (0.7)	20 (1.4)	40 (2.8)	60 (4.1)	80 (5.5)	100 (6.9)	150 (10.3)
Flow*	SCFH (lpm)	1.5 (42.5)	2.1 (59.5)	3.3 (93.4)	4.6 (130.3)	5.8 (164.2)	7 (198.2)	10 (283.1)

* Based on a 1.5 psid pressure drop

How to Order

MF 05 B - 02

Series MF = Metal Filter

Series 05 = Miniature Series

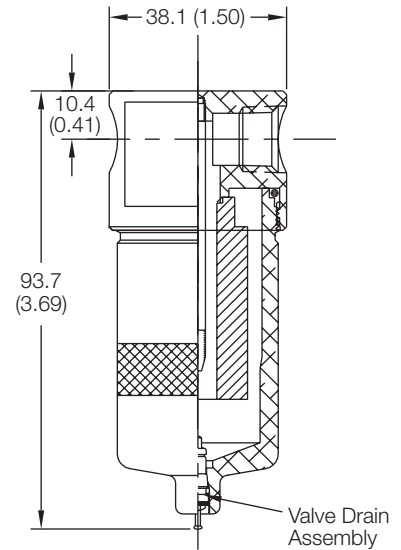
Element Grades
 B = 5 Micron (Particulate)
 R = 0.01 Micron
 S = 0.3 Micron
 T = 0.5 Micron
 U = 1 Micron

Port Option
 02 = 1/4" NPT In/Out

MF Series Miniature In-Line Filters



MF05D-02



Dimensions in mm (inches)



Global Contacts

Australia	(61) 2-9-451-7077	France	(33) 2-37-24-42-24	Netherlands	(31) 33-277-7911
Brazil	(55) 11-4208-1700	Germany	(49) 7237-9960	Singapore	(65) 6556-1100
Canada	(1) 519-758-2700	India	(91) 44-39197300	South Korea	(82) 2-3483-1570
China	(86) 21-3395-0000	Italy	(39) 02-356931	Spain	(34) 942-87-6100
Czech Republic	(420) 235-090-061	Japan	(81) 798-65-6361	United Kingdom	(44) 1695-713600
Dubai - UAE	(971) 4 811 8200	Mexico	(52) 55-5809-5640		