

PROPORTIONAL VALVES

Product Index

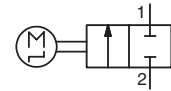


Function	Δ P		Temperature		Pipe connections	Series	Page	
	min. (bar)	max. (bar)	min. (°C)	max. (°C)				
PROPORTIONAL MOTORISED VALVES								
-	0	6	-10	+90/+145	Proportional motorised valves	3/8..3/4	290	1
PROPORTIONAL VALVES								
SYNTHETIC BODY								
2/2 NC-NO	0	8	0	+60	Piezotronic (CNOMO, size 15)	pad mount (M5/1/8/instant fittings)	630	5
BRASS BODY								
	0	12	0	+60	Posiflow	M5, pad mount	202	7
2/2 NC	0	8	0	+50	Posiflow	1/8	202	9
	0	16	-10	+90	Posiflow	1/4 - 3/8	202	11
	0,3	10	-10	+90	Posiflow	3/8 - 1/2	203	13
2/2	0	10	-5	+90	MotorFlow ^D	3/4	610	31
BRONZE BODY								
2/2-3/2 NC	0	16	-10	+184	Threaded ports ⁽¹⁾	1/2..2 1/2	E290/E390	23
2/2 NC	0	16	-10	+184	Flanged ⁽¹⁾	DN 25..50	T290	23
STAINLESS STEEL BODY								
	0	8	0	+50	Posiflow	1/8	202	9
2/2 NC	0	16	-10	+90	Posiflow	1/4 - 3/8	202	11
	0	16	-10	+184	Threaded ports / Clamp / Butt welding ⁽¹⁾	1/2..2 1/2 - DN 15..65	E290/S390	23
	0	40	-10	+233	Threaded ports ⁽¹⁾	1/2..2	E298/E398	27
2/2 NC-3/2 U	0	40	-10	+233	Flanged ⁽¹⁾	DN 15..50	T298/T398	27
	0	40	-10	+233	Socket welding ends ⁽¹⁾	DN 15..50	W298/W398	27
ALUMINIUM BODY								
2/2	0	8	0	+50	Flowtronic ^D , proportional valves	1/4	607	21
ACCESSORIES								
					Digital control unit for Posiflow solenoid valves		908	15
					Electronic proportional control unit for Posiflow solenoid valves		908	17
					Controller module for Posiflow proportional valves		603	19

⁽¹⁾ With: Positioner^D

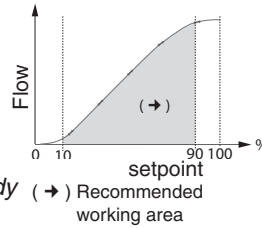
(Potentially explosive atmospheres, see page: II)

All leaflets are available on: www.asco.com



FEATURES

- Long service life
- Variable flow proportional to the control signal
- Ready-to-use valve
- High flow due to angled seat design
- Anti-waterhammer design (fluid entry under the disc)
- Actuator rotatable through 360°
- In option closing of the valve in case of power failure
- Fluid isolation between motorised actuator and valve body
- LED indicators for valve status display
- Valve tight at closing position (FCI 70-2 class V)
- Vacuum operation up to 10⁻² mbar
- The valves satisfy Pressure Equipment Directive 2014/64/EU, article 4.3
- The proportional motorised valves comply with the essential requirements of EMC Directive 2014/30/EU (EN-IEC 61000-6-2 et EN-IEC 61000-6-4)
- The valves satisfy all relevant EU Directives and with the provisions of the Directive RoHS 2



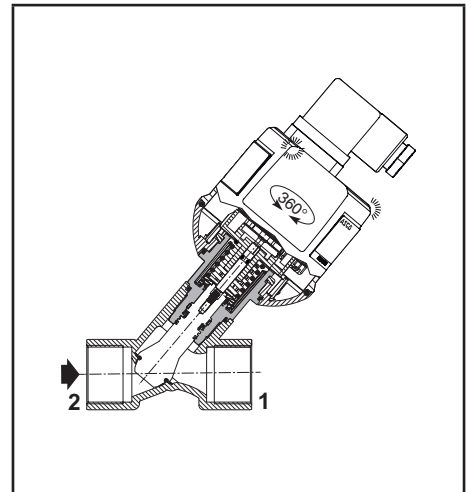
CONSTRUCTION

Differential pressure	See «SPECIFICATIONS» [1 bar =100 kPa]
Maximum allowable pressure	10 bar
Ambient temperature range	-10°C to +50°C
	-10°C to +40°C (for steam at 145°C)
Maximum viscosity	600 cSt (mm ² /s)
Actuating time	< 1,3 s (full opening) < 1,3 s (full closing)

fluids (*)	temperature range (TS)	seal materials (*)
air and gas groups 1 & 2	-10°C to +90°C	NBR (nitrile)
water, oil, liquids groups 1 & 2		
steam	up to +145°C	FPM (fluoroelastomer)

CONSTRUCTION

MATERIALS IN CONTACT WITH FLUID		
(*) Ensure that the compatibility of the fluids in contact with the materials is verified		
	NBR / PBT «K»	FPM / 316L «X»
Valve body	AISI 316L	AISI 316L
Stuffing box housing	PBT, GF reinforced	AISI 316L
Stem valve	AISI 316L	AISI 316L
Stuffing box packing	NBR	FPM
Wiper seal	NBR	FPM
Disc seal	NBR	FPM



OTHER MATERIALS

Top cover operator	Translucent polyamide (PA)
--------------------	----------------------------

ELECTRICAL CHARACTERISTICS

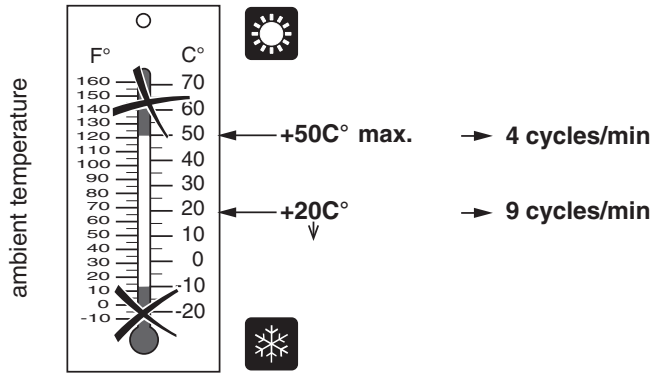
Connector	Spade plug (cable Ø 6-10 mm)
Connector specification	ISO 4400 / EN 175301-803, form A
Motor consumption	12 W in operation, < 2 W holding phase/set point position Max. peak current: 0,7 A
Visualisation valve (switching)	LED
Electrical enclosure protection	IP65 (EN 60529)
Standard voltages	DC (=) : 24V ±10 %, max. ripple 5%
Setpoint	0-10 V (input resistance = 10 kΩ) 4-20 mA (input resistance = 500 Ω)
Flow regulation characteristics	Linearity ±5%; hysteresis < 5%; accuracy <3%; sensitivity < 3%; repeatability <3%

(*) Ensure that the compatibility of the fluids in contact with the materials is verified.

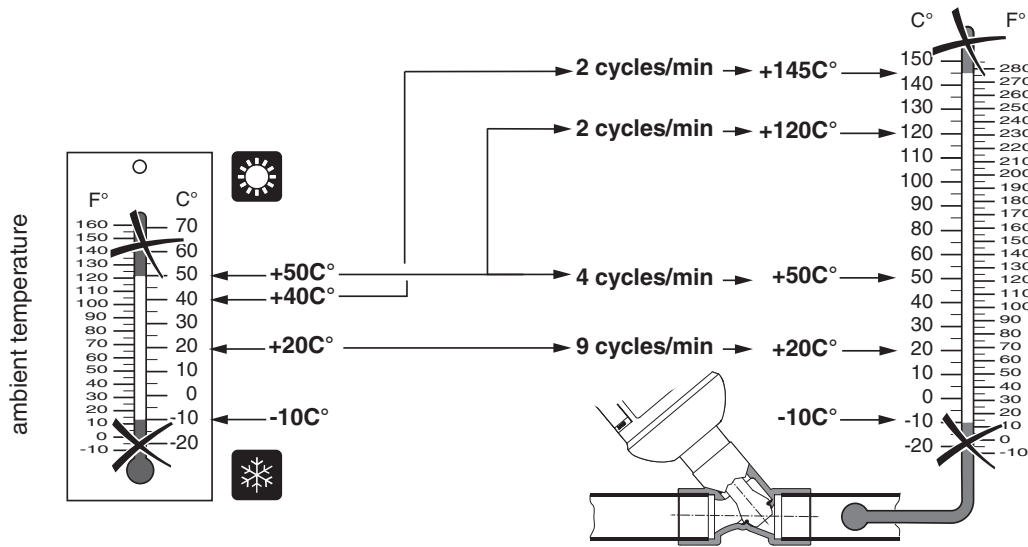
(1) Contact us.

OPERATING CONDITIONS RECOMMENDATION FOR MAXIMUM DUTY CYCLE

NBR / PBT «K» version



FPM / 316L «X» version



OPTIONS

Fail closed (closing of the valve in case of power failure)

SPECIFICATIONS

piping (ISO 6708)		flow coefficient Kvs (100% opening)		operating pressure differential (bar)			operator diameter (mm)	thread type	dimensions / type (2)	15-DIGIT PRODUCT CODE	
pipe size	DN	(m ³ /h)	(l/min)	min.	max.					basic code	voltage code
					air, water, oil (*)	steam					
Motorised valve, entry under the disc (4-20 mA) - NBR / PBT «K» version											
3/8	10	2,7	45	0	6	-	67	G*	1	E290CP2V0K4MA	V1
1/2	15	3,8	63	0	5	-	67	G*	1	E290CP3V0K4MA	
3/4	20	6	100	0	4	-	67	G*	1	E290CP4V0K4MA	
Motorised valve, entry under the disc (0-10 V) - NBR / PBT «K» version											
3/8	10	2,7	45	0	6	-	67	G*	1	E290CP2V0K00V	V1
1/2	15	3,8	63	0	5	-	67	G*	1	E290CP3V0K00V	
3/4	20	6	100	0	4	-	67	G*	1	E290CP4V0K00V	
Motorised valve, entry under the disc (4-20 mA) - FPM / 316L «X» version											
3/8	10	2,7	45	0	6	4	67	G*	1	E290CP2V0X4MA	V1
1/2	15	3,8	63	0	5	4	67	G*	1	E290CP3V0X4MA	
3/4	20	6	100	0	4	4	67	G*	1	E290CP4V0X4MA	
Motorised valve, entry under the disc (0-10 V) - FPM / 316L «X» version											
3/8	10	2,7	45	0	6	4	67	G*	1	E290CP2V0X00V	V1
1/2	15	3,8	63	0	5	4	67	G*	1	E290CP3V0X00V	
3/4	20	6	100	0	4	4	67	G*	1	E290CP4V0X00V	

(2) For dimensions, see drawing(s) for each construction type on the following page(s).

(*) Ensure that the compatibility of the fluids in contact with the materials is verified.

All leaflets are available on: www.asco.com

2 - Proportional Valves (Proportional motorised valves)



青岛秉诚自动化设备有限公司
地址：中国·青岛市重庆南路99号海尔云街甲3号楼7F

服务热线：4006-918-365
网址：<http://www.ivalve.com>

传真：(86-532)585-10-365
Email：sales@bechinas.com

15-DIGIT PRODUCT CODE

E 290 C P 4 V 0 K 4MA V1

Pipe thread

E = ISO 228/1 & ISO 7/1 (combination thread)
8 = NPT (on request)

Product series
290

Revision letter
C = Initial release

Function
P = Proportional

DN
2 = DN 10
3 = DN 15
4 = DN 20

Motorised operator dia.
V = Ø 67 mm

Voltage

V1 = 24 V DC - class B

4MA = 4-20 mA - Setpoint
00V = 0-10 V - Setpoint
FC4 = EFC + 4-20 mA ⁽¹⁾
FC0 = EFC + 0-10 V ⁽²⁾

Materials

K = AISI 316L body,
SS 316L stem,
PBT stuffing box & NBR
X = AISI 316L body,
SS 316L stem,
AISI 316L stuffing box & FPM

Port

0 = 2 way





⁽¹⁾ Closing of the valve in case of power failure. Set point 4-20 mA.
⁽²⁾ Closing of the valve in case of power failure. Set point 0-10 V.

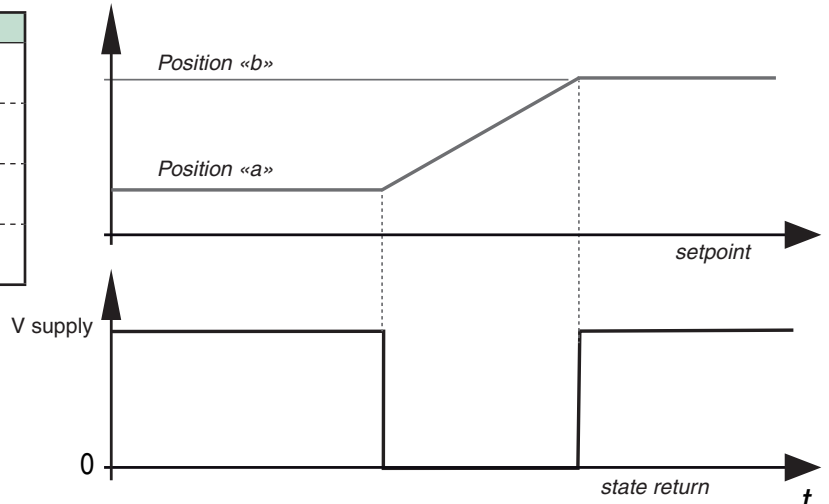
INSTALLATION

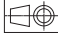
- The valves can be mounted in any position without affecting operation
- Pipe connections (G*) have standard combination thread according to ISO 228/1 and ISO 7/1
- Other pipe connections are available on request
- Installation/maintenance instructions are included with each valve
- LED indicators for operating status display

status	valve OPEN	green
	valve CLOSED	orange
	valve moves to open	green flashing
	valve moves to close	green flashing

WIRING DC

24 V ±10 % / DC	
	1 24 V / DC
	2 0 V
	3 setpoint (0-10 V or 4-20 mA)
	4 feedback signal (24 V switch)



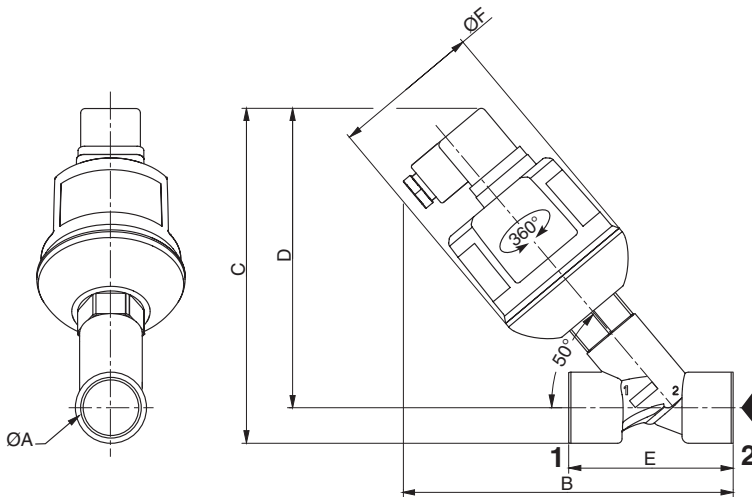
DIMENSIONS (mm), WEIGHT (kg) 

[Configurator - CAD Files](#)



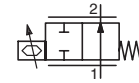
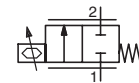
TYPE 01

DC version
67 mm motorised operator
Fluid entry: under the disc at 2
ISO 4400 connector



type	Ø A	B	C	D	E	Ø F	weight ⁽¹⁾	
							NBR / PBT «K»	FPM / 316L «X»
DC version								
01	3/8	135	141	129	55	67	0,40	0,45
	1/2	142	145	131	65	67	0,45	0,55
	3/4	150	152	136	75	67	0,55	0,65

⁽¹⁾ Incl. connector.



FEATURES

- Miniature, ultra-low power consumption (0,004 W), almost no heat dissipation
- Pad mounting proportional mini piezo-valves available with single subbase M5
- Variable flow, proportional to the control signal
- No wearing parts: practically unlimited service life
- No inductive peaks when switching: no circuit protection necessary
- Valves do not require a minimum operating pressure
- The solenoid valves satisfy all relevant EU directives

GENERAL

Differential pressure See «SPECIFICATIONS» [1 bar = 100 kPa]
Pneumatic base ISO 15218 (CNOMO E06.36.120N, size 15)
Response time 8 - 15 ms

fluids (*)	temperature range (TS)	seal materials (*)
air, inert gas filtered at 5 µm, unlubricated, condensate free, dew point -10°C	0°C to +60°C	NBR (nitrile)

MATERIALS IN CONTACT WITH FLUID

(*) Ensure that the compatibility of the fluids in contact with the materials is verified

Body PPS
Internal parts Piezo ceramics, brass
Seals NBR
Subbases Brass or aluminium

ELECTRICAL CHARACTERISTICS

Connector Spade plug (cable Ø 6-7 mm)
Connector specification DIN 43650, 9,4 mm, form C
 or 2 leads outlet AWG 28, length 1 m

Electrical safety IEC 335
Electrical enclosure protection Moulded IP65 (EN 60529)
Standard voltages (U_N) DC (=): 0 to 40 V

holding current	power ratings				ambient temperature range (TS)	type ⁽¹⁾
	inrush ~	holding ~		hot/cold =		
(mA)	(VA)	(VA)	(W)	(W)	(C°)	
< 100	-	-	-	0,004	0 to +60	01-02

Voltage regulation 0 - 40 V DC
Flow regulation characteristic Hysteresis < 10 to 15%

SPECIFICATIONS

connection	flow coefficient Kv		operating pressure differential (bar)				holding power (W)		catalogue number			
			min.	max. (PS)		connector			leads	connector	leads	
	(m³/h)	(l/min)		air (*)	air (*)		=	=				=
NC - Normally closed												
pad mounting	0,005	0,086	0	-	8	-	0,004	63000075	63000035	63000079	63000039	
	0,007	0,12	0	-	4	-	0,004	63000076	63000036	63000080	63000040	
NO - Normally open												
pad mounting	0,005	0,086	0	-	8	-	0,004	63000077	63000037	63000081	63000041	
	0,007	0,12	0	-	4	-	0,004	63000078	63000038	63000082	63000042	

SUBBASES ⁽²⁾

pipe size	mounting type	description	catalogue number	
			aluminium	brass
Single subbase, ISO 15218 (CNOMO E06.36.120N, size 15)				
M5	individual mounting	M5 lateral connection	88263002	30300001

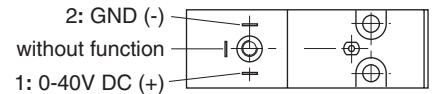
(1) Refer to the dimensional drawings on the following page.

(2) Multiple subbases, contact us.



ELECTRICAL CONNECTION (Polarized piezo valve)

Version with spade plug connection:



Version with 2 leads:

red wire: +
black wire: -

OPTIONS

- Connector with cable length of 2 m (www.asco.com)

INSTALLATION

- The solenoid valves can be mounted in any position without affecting operation
- Mounting on single subbases
- Unlike the on/off type, the proportional version is not equipped with electronics. Please check for correct polarity when connecting the valve. The piezo element will be damaged if the polarity of the connections is inverted. The control system of the user must be used for charging and discharging.

Important note: The peak current must be limited by serial resistor greater than 30 ohms

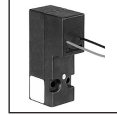
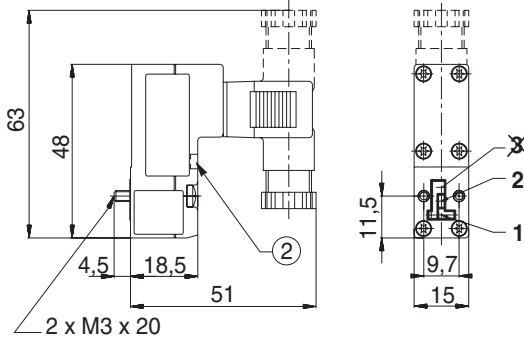
- Installation/maintenance instructions are included with each valve

DIMENSIONS (mm), WEIGHT (kg)



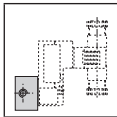
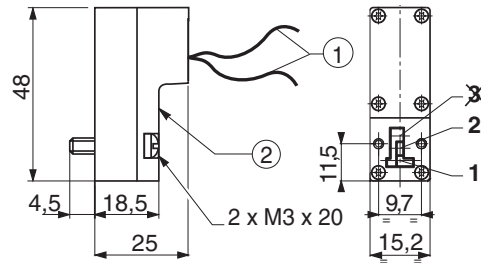
TYPE 01
IEC 335 / DIN 43650
IP65

63000075/76/77/78/79/80/81/82



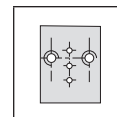
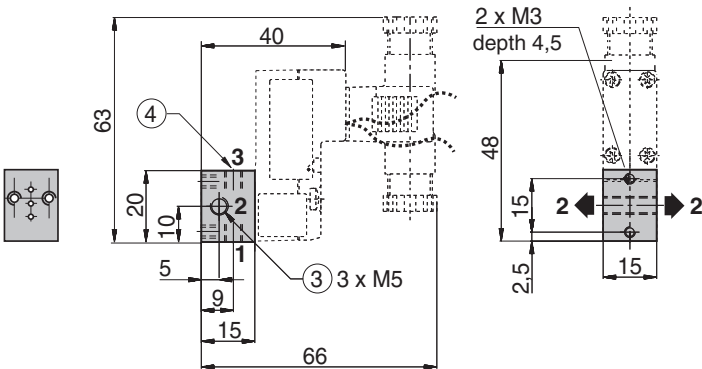
TYPE 02
IEC 335
IP65

63000035/36/37/38/39/40/41/42

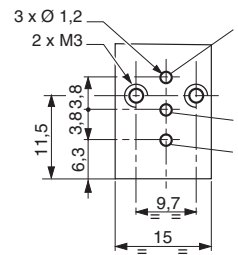


SINGLE SUBBASE M5
Aluminium or brass

88263002 - 30300001

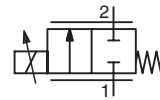


SUBBASE MOUNTING PATTERN
ISO 15218/CNOMO E06.36.120N, size 15



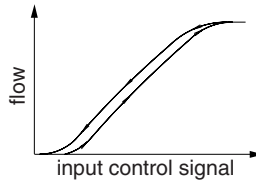
type	catalogue number	weight
01	63000075/76/77/78/79/80/81/82	0,040
02	63000035/36/37/38/39/40/41/42	0,032
-	88263002	0,012
-	30300001	0,034

- ① 2 leads AWG 28, length 1 m
- ② Manual operator location
- ③ Outlet (2) can be connected on the left or on the right of subbase; close the unused port with a Ø M5 plug (supplied)
- ④ Port (3) not used (to be provided with protection)



FEATURES

- Proportional solenoid valves for mounting on single subbase with threaded M5 port connections
- Variable flow, proportional to the control signal
- Valves do not require a minimum operating pressure
- Valves can be mounted in any position
- The solenoid valves satisfy all relevant EU directives



GENERAL

Differential pressure See «SPECIFICATIONS» [1 bar = 100 kPa]

fluids (*)	temperature range (TS)	seal materials (*)
air, inert gas	0°C to +60°C	FPM (fluoroelastomer)

MATERIALS IN CONTACT WITH FLUID

(*) Ensure that the compatibility of the fluids in contact with the materials is verified

Body	Brass
Core tube	Brass
Core and plugnut	Stainless steel
Springs	Stainless steel
Seat	Brass
Seals	FPM

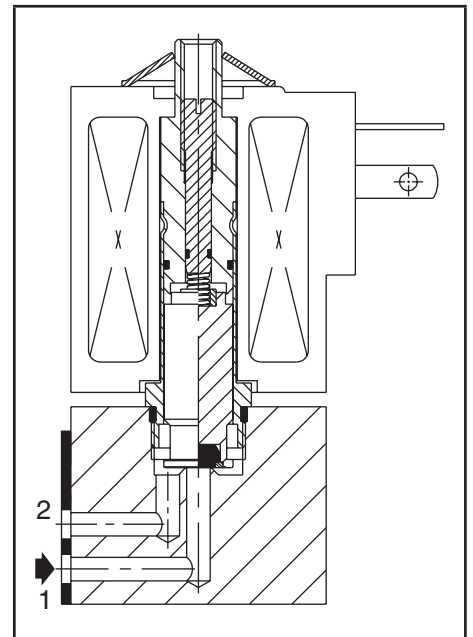
ELECTRICAL CHARACTERISTICS

Coil insulation class	F
Connector	Spade plug (cable Ø 4-6 mm)
Connector specification	DIN 43650, 9,4 mm, form C
Electrical safety	IEC 335
Electrical enclosure protection	Moulded IP65 (EN 60529)
Standard voltages ⁽²⁾	DC (=) : 12V, 24V (Other voltages on request)

prefix option	voltage (V) =	current consumption (mA)	power ratings			operator ambient temperature range (TS) ⁽²⁾ (C°)	type ⁽¹⁾
			inrush ~ (VA)	holding ~ (VA)	hot/cold = (W)		
SC	12	max. 175	-	-	-	0 to +60	01
	24	max. 125	-	-	3 / 2,6		

Voltage regulation ⁽³⁾ 0 - 24 V DC
24 V DC pulse width modulated (1000 Hz)

Flow regulation characteristics ⁽²⁾ Hysteresis < 5%; Repeatability < 3% ; Sensitivity < 2%



SPECIFICATIONS

pipe size	orifice size (mm)	flow coefficient Kv (m³/h) (l/min)		operating pressure differential (bar)				power coil (W)	catalogue number (=)	
				max. (PS)		min.	vacuum =			air (*) =
				vacuum =	air (*) =					
NC - Normally closed, pad mounting body (solenoid valve alone)										
pad mounting	0,8	0,02	0,3	0	1	12	2,6	SCS202A101V		
	1,2	0,05	0,8	0	1	7	2,6	SCS202A102V		
	1,6	0,08	1,3	0	1	4	2,6	SCS202A103V		
	2	0,1	1,7	0	1	2,5	2,6	SCS202A104V		
NC - Normally closed, pad mounting body, solenoid valve with M5 subbase ⁽⁴⁾										
M5	0,8	0,02	0,3	0	1	12	2,6	SCE202A105V		
	1,2	0,05	0,8	0	1	7	2,6	SCE202A106V		
	1,6	0,08	1,3	0	1	4	2,6	SCE202A107V		
	2	0,1	1,7	0	1	2,5	2,6	SCE202A108V		

(1) Refer to the dimensional drawings on the following page.
 (2) Percentage of max value with 24 V DC, P.W.M. 1000 Hz.
 (3) For electronic proportional control unit, please contact us.
 (4) Solenoid valve supplied with single subbase with threaded M5 port connections, catalogue number: 30300001

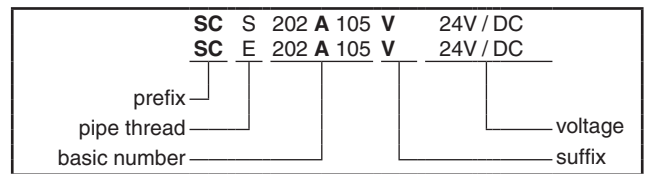
OPTIONS

- Solenoid operators for use in zone 22, category 3, to ATEX Directive 2014/34/EU, on request
- Electronic proportional control unit [catalogue number: **E908A004** (www.asco.com)]
 - analog input control signals: 0 - 10 V DC, 0 - 20 mA or 4 - 20 mA
 - coil current (= flow rate) adjustable to required control signals
 - switch-off function at less than 2% of maximum input control signal
 - adjustable ramp control
 - adjustable frequency
 - output current independent of coil resistance (temperature) and supply voltage variations
- Other pipe connections are available on request

INSTALLATION

- The solenoid valves can be mounted in any position without affecting operation
- For details on single subbase with threaded M5 port connections, contact us (catalogue number: **30300001**)
- Installation/maintenance instructions are included with each valve

ORDERING EXAMPLES:



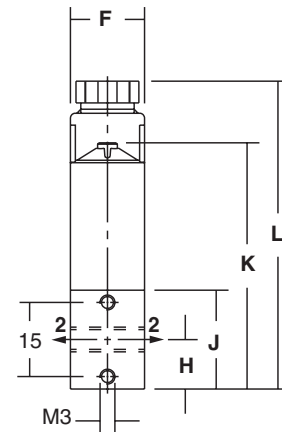
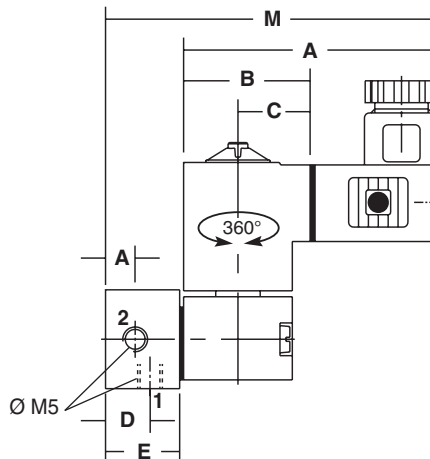
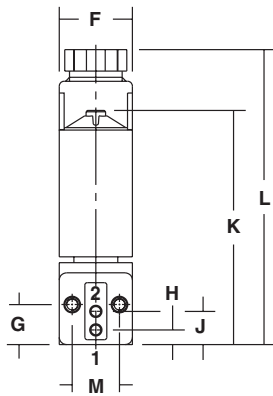
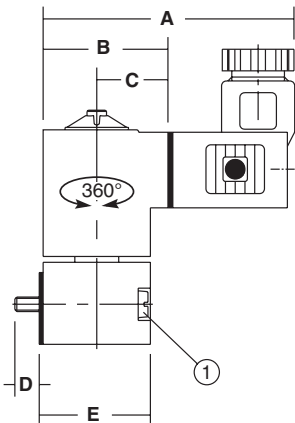
DIMENSIONS (mm), WEIGHT (kg)



TYPE 01
 Prefix "SC" Solenoid
 Epoxy moulded
 IEC 335 / DIN 43650
 IP65

SCS202A101V/102V/103V/104V

SCE202A105V/106V/107V/108V



① 2 M3 x 25 mounting screws

type	prefix option	catalogue number	A	B	C	D	E	F	G	H	J	K	L	M	weight ⁽¹⁾
01	SC	SCS202A101V/102V/103V/104V	53	25,6	14,8	5	22,8	15	8,2	3	6,8	48	61	9,7	0,95
		SCE202A105V/106V/107V/108V	53	25,6	14,8	9	15	15	6	10	20	52	65	68	1,25 ⁽²⁾

⁽¹⁾ including coil and connector.

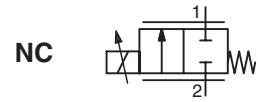
⁽²⁾ with subbase

All leaflets are available on: www.asco.com



PROPORTIONAL SOLENOID VALVE

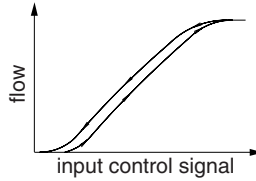
POSIFLOW
direct operated
1/8



2/2
Series
202

FEATURES

- Variable flow, proportional to the control signal
- Valves do not require a minimum operating pressure
- Valves can be mounted in any position
- The solenoid valves satisfy all relevant EU directives



GENERAL

Differential pressure See «SPECIFICATIONS» [1 bar = 100 kPa]
Maximum viscosity 50 cSt (mm²/s)

fluids (*)	temperature range (TS)	seal materials (*)
air, inert gas, water, oil	0°C to +50°C	FPM (fluoroelastomer)

MATERIALS IN CONTACT WITH FLUID

(*) Ensure that the compatibility of the fluids in contact with the materials is verified

	Brass body	Stainless steel body
Body	Brass	AISI 303
Core tube	Stainless steel	Stainless steel
Core and plugnut	Stainless steel	Stainless steel
Springs	Stainless steel	Stainless steel
Riderring	PTFE	PTFE
Seat	Brass	Stainless steel
Seals	FPM	FPM
Disc	FPM	FPM
Breaker piece	Stainless steel	Stainless steel

ELECTRICAL CHARACTERISTICS

Coil insulation class F
Connector Spade plug (cable Ø 6-8 mm)
Connector specification DIN 43650, 11 mm, industry standard B
Electrical safety IEC 335
Electrical enclosure protection Moulded IP65 (EN 60529)
Standard voltages DC (=) : 24V (Other voltages on request)

prefix option	operating current (mA)	power ratings			operator ambient temperature range (TS) (°C)	replacement coil =	type (1)
		inrush ~ (VA)	holding ~ (VA)	hot/cold = (W)			
SC	100 - 450	-	-	-	8,6 / 6,3	24 V DC	01

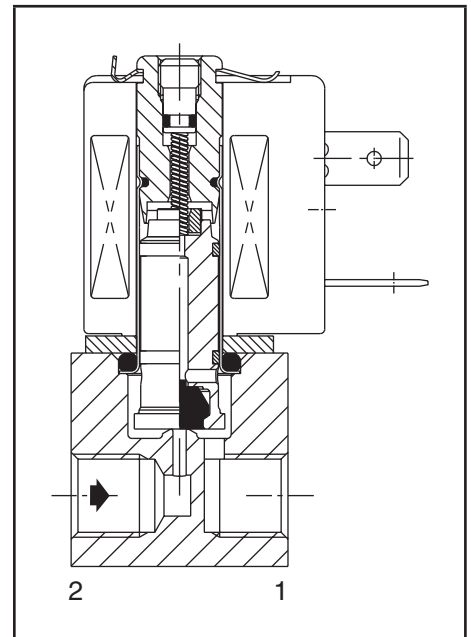
Voltage regulation 0 - 24 V DC
24 V DC pulse width modulated (400 Hz)

Flow regulation characteristics (2) Hysteresis < 5%; Repeatability < 1%; Sensitivity < 1%

SPECIFICATIONS

pipe size	orifice size (mm)	flow coefficient Kv (m ³ /h) (l/min)	operating pressure differential (bar) max. (PS)				power coil (W)	catalogue number		options				
			min.	vacuum	air (*)	water (*)		oil (*)	brass	stainless steel	EPDM	PTFE		
G	(mm)	(m ³ /h) (l/min)		=	=	=	=	=	=					
NC - Normally closed														
1/8	1,2	0,05	0,7	0	1	8	5	5	6,3	SCG202A201V	SCG202A205V	E	T	-
	1,6	0,07	1,1	0	1	6	4	4	6,3	SCG202A202V	SCG202A206V	E	T	-
	2,4	0,13	2,2	0	1	4	3	3	6,3	SCG202A203V	SCG202A207V	E	T	-
	3,2	0,18	2,9	0	1	2,5	2,5	2,5	6,3	SCG202A204V	SCG202A208V	E	T	-

(1) Refer to the dimensional drawings on the following page.
(2) Percentage of max. value with 24 V DC, P.W.M. 400 Hz, supply at constant differential pressure.



00020GB-2018/R01 Availability, design and specifications are subject to change without notice. All rights reserved.

All leaflets are available on: www.asco.com



青岛秉诚自动化设备有限公司
地址：中国·青岛市重庆南路99号海尔云街甲3号楼7F

服务热线：4006-918-365
网址：http://www.ivalve.com

Proportional Valves - 9
传真：(86-532)585-10-365
Email：sales@bechinas.com

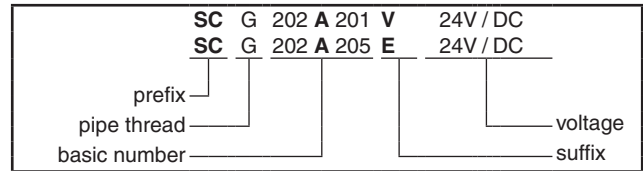
OPTIONS

- Valves can also be supplied with NBR (nitrile), EPDM (ethylene propylene) and PTFE seals and discs
- Explosionproof enclosures for use in zones 1/21-2/22, categories 2-3 to ATEX Directive 2014/34/EU, on request
- Electrical enclosures according to "NEMA" standards are available
- Mounting brackets
- Electronic proportional control unit [catalogue number: **E908A003** (www.asco.com) / **X90850164500100-0200** (www.asco.com)]
Features:
 - analog input control signals: 0 - 10 V DC, 0 - 20 mA or 4 - 20 mA
 - coil current (= flow rate) adjustable to required control signals
 - switch-off function at less than 2% of the maximum control function
 - adjustable ramp control
 - adjustable frequency
 - output current independent of coil resistance and supply voltage variations
 - housed in: a box with spade plug connector according to ISO 4400 / IP65
- Other pipe connections are available on request

INSTALLATION

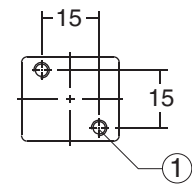
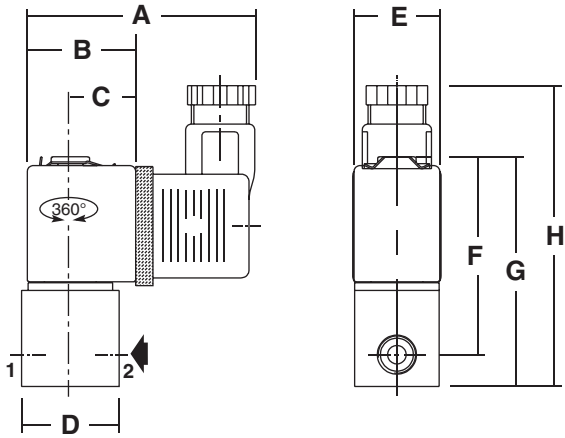
- The solenoid valves can be mounted in any position without affecting operation
- Solenoid valves have 2 mounting holes in body
- Threaded pipe connection is standard: G = G (ISO 228/1)
- Installation/maintenance instructions are included with each valve

ORDERING EXAMPLES:



DIMENSIONS (mm), WEIGHT (kg)

TYPE 01
Prefix "SC" Solenoid
Epoxy moulded
IEC 335 / DIN 43650
IP65



type	prefix option	A	B	C	D	E	F	G	H	X	weight ⁽¹⁾
01	SC	59	28	17	25	22	52	60	78	-	0,2

⁽¹⁾ including coil and connector.

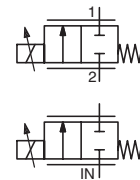
All leaflets are available on: www.asco.com



PROPORTIONAL SOLENOID VALVE

POSIFLOW
direct operated
1/4 - 3/8

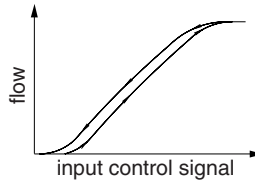
NC



2/2
Series
202

FEATURES

- Variable flow, proportional to the control signal
- Valves do not require a minimum operating pressure
- Valves can be mounted in any position
- The solenoid valves satisfy all relevant EU directives



GENERAL

Differential pressure See «SPECIFICATIONS» [1 bar = 100 kPa]
Maximum viscosity 21 cSt (mm²/s)

fluids (*)	temperature range (TS) ⁽²⁾	seal materials (*)
air, inert gas, water, oil	-10°C to +90°C	FPM (fluoroelastomer)

MATERIALS IN CONTACT WITH FLUID

(*) Ensure that the compatibility of the fluids in contact with the materials is verified

	Brass body	Stainless steel body
Body	Brass	AISI 303 SS
Core tube	Stainless steel	Stainless steel
Core and plugnut	Stainless steel	Stainless steel
Springs	Stainless steel	Stainless steel
Riderring	PTFE	PTFE
Seat	Brass	Stainless steel
Seal, disc	FPM	FPM
Breaker piece	Stainless steel	Stainless steel

ELECTRICAL CHARACTERISTICS

Coil insulation class F
Connector Spade plug (cable Ø 6-10 mm)
Connector specification ISO 4400 / EN 175301-803, form A
Electrical safety IEC 335
Electrical enclosure protection Moulded IP65 (EN 60529)
Standard voltages DC (=) : 24V (Other voltages on request)

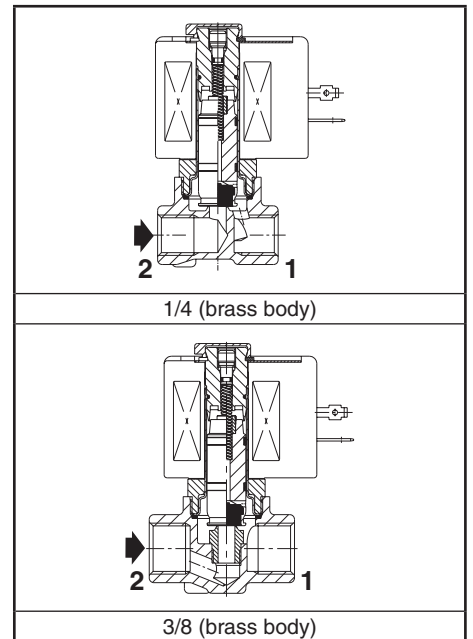
prefix option	operating current (mA)	power ratings				operator ambient temperature range (TS) ⁽²⁾ (C°)	replacement coil (=)	type ⁽¹⁾
		inrush ~ (VA)	holding ~ (VA)	hot/cold = (W)				
SC	100 - 500	-	-	-	11 / 8	-10 to +75	24 V DC 400429-040	01

Voltage regulation 0 - 24 V DC
24 V DC pulse width modulated (300 Hz)

Flow regulation characteristics ⁽³⁾ Hysteresis < 5% ; Repeatability < 3% ; Sensitivity < 2%

SPECIFICATIONS

pipe size	orifice size (mm)	flow coefficient Kv (m ³ /h) (l/min)		operating pressure differential (bar)			power coil (W)	catalogue number				options			
				min.	max. (PS)			brass (=)		stainless steel (=)		EPDM	CR	PTFE	
					vacuum	air, water, oil (*)		air / inert gas	liquids	air / inert gas	liquids				
NC - Normally closed															
1/4	G	1,2	0,05	0,8	0	1	16	8	SCG202A001V	SCG202A051V	-	-	E	J	T
	NPT	2,4	0,12	2	0	1	8	8	SCG202A002V	SCG202A052V	-	-	E	J	T
	G	3,2	0,24	4,0	0	1	4	8	SCG202A003V	SCG202A053V	-	-	E	J	T
	NPT	4,0	0,42	7,0	0	1	2,5	8	SCG202A004V	SCG202A054V	-	-	E	J	T
	G	5,6	0,72	12,0	0	1	1,4	8	SCG202A006V	SCG202A056V	-	-	E	J	T
	NPT	7,1	0,90	15,0	0	1	1	8	SCG202A007V	SCG202A057V	-	-	E	J	T
	G	7,1	0,90	15,0	0	1	1	8	SCG202A007V	SCG202A057V	-	-	E	J	T
3/8	Rp	3,2	0,24	4,0	0	1	4	8	SCE202A023V	SCE202A073V	-	-	E	J	T
	NPT	4,0	0,42	7,0	0	1	2,5	8	SCE202A024V	SCE202A074V	-	-	E	J	T
	Rp	5,6	0,72	12,0	0	1	1,4	8	SCE202A026V	SCE202A076V	-	-	E	J	T
	NPT	7,1	0,90	15,0	0	1	1	8	SCE202A027V	SCE202A077V	-	-	E	J	T
	Rp	3,2	0,24	4,0	0	1	4	8	SCE202A023V	SCE202A073V	-	-	E	J	T
	NPT	4,0	0,42	7,0	0	1	2,5	8	SCE202A024V	SCE202A074V	-	-	E	J	T
	Rp	5,6	0,72	12,0	0	1	1,4	8	SCE202A026V	SCE202A076V	-	-	E	J	T



00021GB-2018/R01
Availability, design and specifications are subject to change without notice. All rights reserved.

⁽¹⁾ Refer to the dimensional drawings on the following page.
⁽²⁾ Damage may occur when liquids solidify above the specified minimum temperature.
⁽³⁾ Percentage of max. value with 24 V DC, P.W.M. 300 Hz, supply at constant differential pressure.

All leaflets are available on: www.asco.com



青岛秉诚自动化设备有限公司
地址：中国·青岛市重庆南路99号海尔云街甲3号楼7F

服务热线：4006-918-365
网址：http://www.ivalve.cc

Proportional Valves - 11
传真：(86-532)585-10-365
Email：sales@bechinas.com

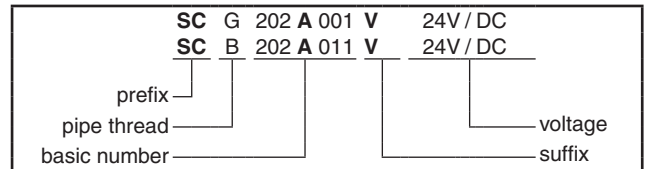
OPTIONS

- Valves can also be supplied with NBR (nitrile), EPDM (ethylene-propylene), CR (chloroprene / neoprene) and PTFE seals and discs
- Waterproof enclosure with embedded screw terminal coil according to protection class IP67, CEE-10
- Explosionproof enclosures for use in zones 1/21-2/22, categories 2-3 to ATEX Directive 2014/34/EU, on request
- Electrical enclosures according to "NEMA" standards are available
- Mounting brackets
- Electronic proportional control unit [catalogue number: **E908A001** (www.asco.com) / **X90850164500100-0200** (www.asco.com)]
Features:
 - analog input control signals: 0 - 10 V DC, 0 - 20 mA or 4 - 20 mA
 - coil current (= flow rate) adjustable to required control signals
 - switch-off function at less than 2% of the maximum control function
 - adjustable ramp control
 - adjustable frequency
 - output current independent of coil resistance and supply voltage variations
 - housed in: a box with spade plug connector according to ISO 4400 / IP65
- Other pipe connections are available on request

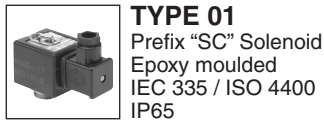
INSTALLATION

- The solenoid valves can be mounted in any position without affecting operation
- Brass and NPT 3/8 stainless steel solenoid valves have 2 mounting holes in body
- NPT 1/4 stainless steel valves are standard supplied with mounting brackets
- Threaded pipe connection is standard: E = Rp (ISO 7/1) ; G = G (ISO 228/1) ; B = NPT (ANSI 1.20.3)
- Installation/maintenance instructions are included with each valve

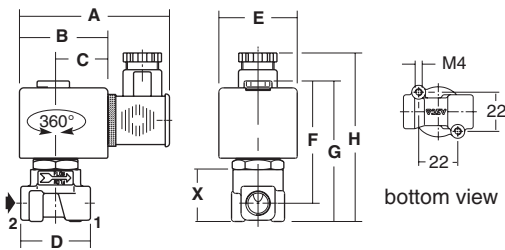
ORDERING EXAMPLES:



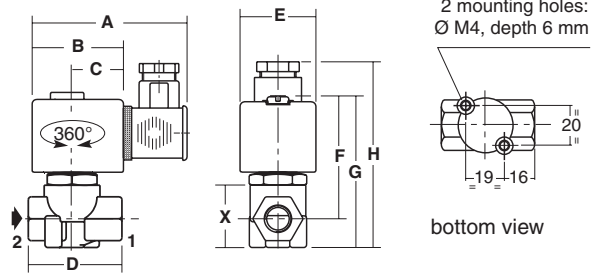
DIMENSIONS (mm), WEIGHT (kg)



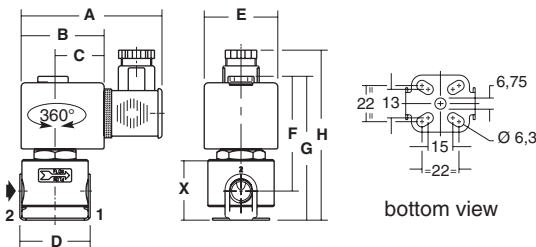
SCG202A001V/002V/003V/004V/006V/007V
SCB202A051V/052V/053V/054V/056V/057V



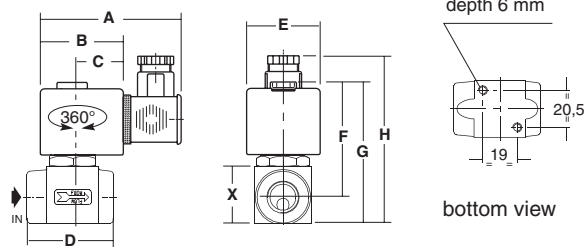
SCE202A023V/024V/026V/027V
SCE202A073V/074V/076V/077V



SCG202A011V/012V/013V/014V/016V/017V
SCB202A061V/062V/063V/064V/066V/067V



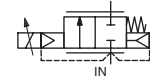
SCB202A033V/034V/036V/037V
SCB202A083V/084V/086V/087V



type	prefix option	catalogue number	A	B	C	D	E	F	G	H	X	weight ⁽¹⁾
01	SC	SCG202A001V/002V/003V/004V/006V/007V/051V/052V/053V/054V/056V/057V	85	50	30	40	45	68	79	95	30	0,50
		SCG202A011V/012V/013V/014V/016V/017V/061V/062V/063V/064V/066V/067V	80	50	30	42	45	60	79	95	37	0,60
		SCE202A023V/024V/026V/027V/073V/074V/076V/077V	80	50	30	48	45	68	82	97	32	0,50
		SCB202A033V/034V/036V/037V/083V/084V/086V/087V	80	50	30	51	45	68	81	97	31	0,65

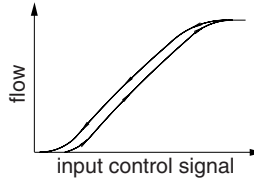
⁽¹⁾ including coil and connector.

All leaflets are available on: www.asco.com



FEATURES

- Open loop proportional valves for automatic flow control of water and other non-corrosive liquids
- Special valve design to reduce pressure surges to a minimum, preventing waterhammer and ensuring noise-free closing
- The solenoid valves satisfy all relevant EU directives



GENERAL

Differential pressure See «SPECIFICATIONS» [1 bar =100 kPa]
Maximum viscosity 40 cSt (mm²/s)

fluids (*)	temperature range (TS) ⁽¹⁾	seal materials (*)
water, oil	-10°C to +90°C	NBR (nitrile)



MATERIALS IN CONTACT WITH FLUID

(*) Ensure that the compatibility of the fluids in contact with the materials is verified

Body	Brass
Core tube	Stainless steel
Core and plugnut	Stainless steel
Springs	Stainless steel
Riderring	PTFE
Seals, diaphragm	NBR
Disc	FPM
Breaker piece	Stainless steel

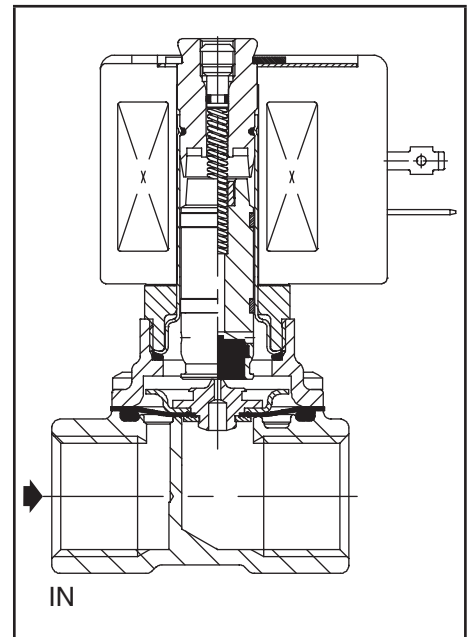
ELECTRICAL CHARACTERISTICS

Coil insulation class F
Connector Spade plug (cable Ø 6-10 mm)
Connector specification ISO 4400 / EN 175301-803, form A
Electrical safety IEC 335
Electrical enclosure protection Moulded IP65 (EN 60529)
Standard voltages DC (=) : 24V (Other voltages on request)

prefix option	operating current (mA)	power ratings				operator ambient temperature range (TS) ⁽²⁾ (C°)	replacement coil =	type ⁽¹⁾
		inrush ~ (VA)	holding ~ (VA)	hot/cold = (W)	holding ~ (W)			
SC	100 - 500	-	-	-	11 / 8	-20 to +75	24 V DC 400429-040	01

Voltage regulation 0 - 24 V DC
 24 V DC pulse width modulated (300 Hz)

Flow regulation characteristics ⁽³⁾ Hysteresis < 7,5 % ; Repeatability < 3 % ; Sensitivity < 2 %



SPECIFICATIONS

pipe size	orifice size (mm)	flow coefficient Kv (m ³ /h) (l/min)		operating pressure differential (bar)			power coil (W)	catalogue number	options		
				min.	max. (PS)				FPM	-	-
					vacuum =	oil (*) =					
NC - Normally closed											
3/8	12,5	2,1	35	0,3	10	10	8	SCG203B001	V	-	-
1/2	12,5	2,1	35	0,3	10	10	8	SCG203B002	V	-	-

⁽¹⁾ Refer to the dimensional drawings on the following page.
⁽²⁾ Damage may occur when liquids solidify above the specified minimum temperature.
⁽³⁾ Percentage of max. value with 24 V DC, P.W.M. 300 Hz, supply at constant differential pressure.

OPTIONS

- Valves can also be supplied with FPM (fluoroelastomer) seals and discs
- Waterproof enclosure with embedded screw terminal coil according to protection class IP67, CEE-10
- Explosionproof enclosures for use in zones 1/21-2/22, categories 2-3 to ATEX Directive 2014/34/EU, on request
- Electrical enclosures according to "NEMA" standards are available
- Mounting brackets
- Electronic proportional control unit [catalogue number: **E908A001** (www.asco.com) / **X90850164500100-0200** (www.asco.com)]
 Features:
 - analog input control signals: 0 - 10 V DC, 0 - 20 mA or 4 - 20 mA
 - coil current (= flow rate) adjustable to required control signals
 - switch-off function at less than 2% of the maximum control function
 - adjustable ramp control
 - adjustable frequency
 - output current independent of coil resistance and supply voltage variations
 - housed in: a box with spade plug connector according to ISO 4400 / IP65

INSTALLATION

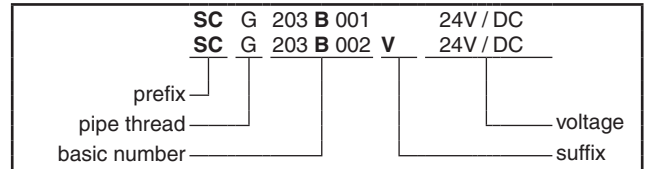
- The solenoid valves can be mounted in any position without affecting operation. For optimum performance mount solenoid vertical and upright
- Threaded pipe connection is standard: G = G (ISO 228/1)
- Installation/maintenance instructions are included with each valve

SPARE PARTS KITS

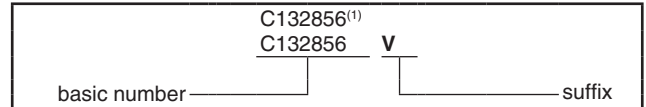
catalogue number	spare parts kit no.	
	~	=
SCG203B001/B002	-	C132856

⁽¹⁾ Standard prefixes/suffixes are also applicable to kits.
 - Not available

ORDERING EXAMPLES:

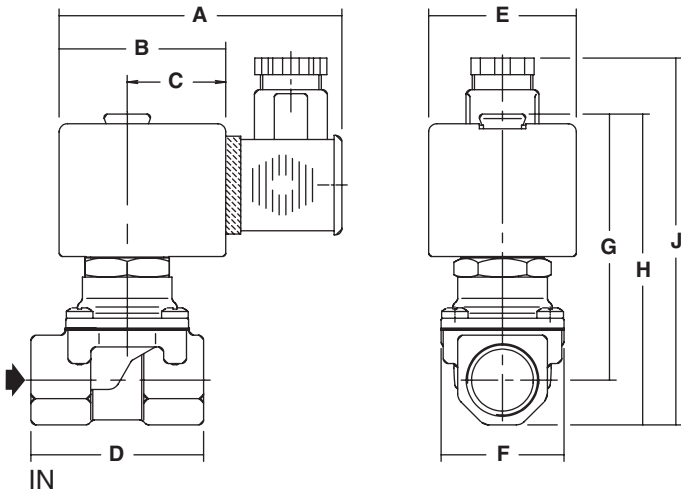


ORDERING EXAMPLES KITS:



DIMENSIONS (mm), WEIGHT (kg)

TYPE 01
 Prefix "SC" Solenoid
 Epoxy moulded
 IEC 335 / ISO 4400
 IP65



type	prefix option	catalogue number	A	B	C	D	E	F	G	H	J	X	weight ⁽²⁾
01	SC	SCG203B001	85	50	30	52	45	37	80	94	105	-	0,65
		SCG203B002											

⁽²⁾ including coil and connector.

All leaflets are available on: www.asco.com

FEATURES

- Converts analog input control signals to coil current of a proportional solenoid valve by means of pulse width modulation
- LED-Display integrated in the connector
- Adjustable UP/DOWN ramp control
- Output coil current independent of coil resistance (temperature) and supply voltage variations
- The electronic circuit is integrated in a standard housing according to DIN EN 175301-803, form A
- Parameter setting via PC interface and programming adapter or, optionally, via the switches integrated in the connector

GENERAL

Nominal voltage 12/24 V DC
Maximum current 1,2 A / 2,5 A

CONSTRUCTION

Housing PA
Cover PA
Screw Zinc plated steel
Seals NBR

ELECTRICAL CHARACTERISTICS

Connector M12, 5 pins
Connector specification DIN EN 175301-803, form A
Electrical safety IEC 335
Electrical enclosure protection IP65 (EN 60529)
Supply voltage 12V ... 30 V DC (incl. ripple)

max. full load current (I _{FL}) (mA)	input control signal		ambient temperature range (C°)
	U _c = (V)	I _c (mA)	
1200/2400	0 - 10	4 - 20	-20 to +65

Ramp time Selectable ON/OFF, adjustable from 50 ms to 5 s, UP/DOWN

Adjustable switch frequency 60 - 1500 Hz

SPECIFICATIONS

catalogue number: proportional valves for digital control unit	type ⁽¹⁾	setpoint	catalogue number	
			control unit	adapter
202A001V to 202A087V 203B001V and 203B002V 60200001, 60200002, 60200004	01	0 - 10 V	X90850164500100	-
		4 - 20 mA	X90850164500200	
202A201V to 202A208V 202A510V to 202A513V	02	0 - 10 V	X90850164500100	+ 833-064154
		4 - 20 mA	X90850164500200	

⁽¹⁾ Refer to the dimensional drawings on the following page.

PROPORTIONAL VALVES SUITABLE FOR CONTROL APPLICATIONS

description	series	illustration	catalogue page
3-port proportional valve for pressure control	602		www.asco.com
Posiflow proportional solenoid valves	202 203		202 1/8 (www.asco.com) 202 1/4-3/8 (www.asco.com) 203 3/8-1/2 (www.asco.com)

All leaflets are available on: www.asco.com

01046GB-2018/R01
Availability, design and specifications are subject to change without notice. All rights reserved.



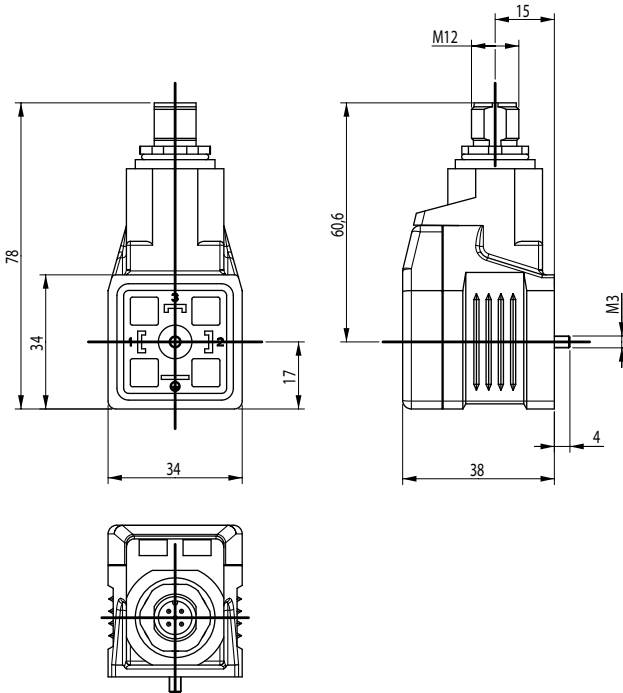
INSTALLATION

- The control unit can be mounted in any position without affecting operation

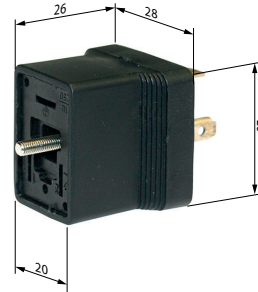
DIMENSIONS (mm), WEIGHT (kg)



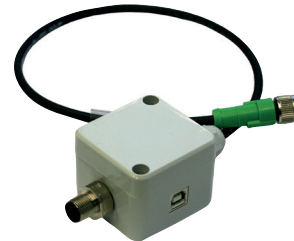
TYPE 01: CONTROL UNIT
0,075 kg



TYPE 02: ADAPTER
from Form A to Form B



PROGRAMMING ADAPTER



INPUT AND OUTPUT SIGNALS

Pin	Supply
1	Voltage supply (see "Electrical Characteristics")
3	Analog ground 0 V (GND)
Analog signals	
2 4	Setpoint input (differential input) The range 0...100 % corresponds to an input voltage of 0...10 V or an input current of 4...20 mA (depending on version used).
Communication	
5	LIN Bus connection The parameters for the device can be set via this connection and our programming adapter.

ACCESSORIES

description	catalogue number
Straight M12 female connector, 5 pins, with screw terminals	88100256
Right-angle M12 female connector, 5 pins, with screw terminals	88100725
Supply cable 2 m, 2 x 0,25 mm ² , straight connector	88100726
Supply cable 2 m, 2 x 0,25 mm ² , right-angle connector	88100727
Supply cable 5 m, 6 x 0,56 mm ² , straight connector	88100728
Supply cable 5 m, 6 x 0,56 mm ² , right-angle connector	88100729
Supply cable 10 m, 6 x 0,56 mm ² , straight connector	88100730
Supply cable 10 m, 6 x 0,56 mm ² , right-angle connector	88100731
Adapter DIN EN 175301-803 from Form A to Form B for Type 02	833-064154
Programming adapter	X90850164500300

All leaflets are available on: www.asco.com

FEATURES

- Converts analog input control signals to coil current of a proportional solenoid valve by means of pulse width modulation
- Switch-off function at less than 2% of the maximum control signal
- Adjustable ramp control
- Output coil current independent of coil resistance (temperature) and supply voltage variations
- Min. and max. output coil current adjustable to required input control signal
- The electronic circuit is integrated in a housing connectable to a 3-terminal spade plug coil connector according to ISO 4400/ EN 175301-803, form A, DIN 43650, 11 mm, industry standard B or DIN 43650, 9,4 mm, industry standard B

GENERAL

Nominal voltage 24 V DC
Maximum current 1100 mA

CONSTRUCTION

Housing PA
Cover PA
Screw Zinc plated steel
Seals NBR

ELECTRICAL CHARACTERISTICS

Connector Spade plug (cable Ø 6-10 mm)
Connector specification ISO 4400 / EN 175301-803, form A ⁽²⁾
Valve connection With 3 terminal plug connection
Control unit: E908A001 ISO 4400 / EN 175301-803, form A
Control unit: E908A003 DIN 43650, 11 mm, industry standard B
Control unit: E908A004 DIN 43650, 9,4 mm, industry standard B (assembled to 200 mm cable)

Electrical safety IEC 335
Electrical enclosure protection IP65 (EN 60529)
Supply voltage DC (=) : 24V ±10 % (U_N), max. ripple 10%

prefix option	max. full load current (I _{FL}) (mA)	input control signal (selectable)			power consumption (electronics) (W)	unit ambient temperature range ⁽²⁾ (C°)	type ⁽¹⁾
		U _c = (V)	I _{CX} (mA)	I _C (mA)			
-	1100	0 - 10	0 - 20	4 - 20	0,8	-10 to +75	01 - 02

Switch-off current < 2 % of max. input control signal
Adjustable offset Upwm 15 - 50 % E.D.
Adjustable full load Upwm 30 - 100 % E.D.
Ramp time Selectable on/off, adjustable 0,1 - 3 sec.
Adjustable switch frequency 40 - 700 Hz

SPECIFICATIONS

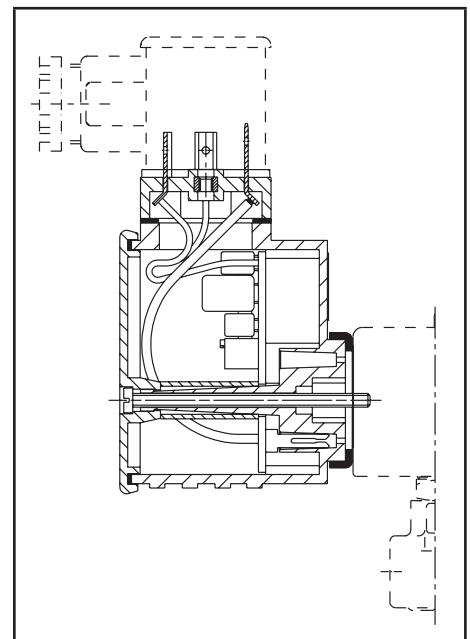
recommended for proportional valve types	type	catalogue number
202A001V to 202A087V 203B001V and 203B002V	01	E908A001
202A201V to 202A208V	02	E908A003
202A101V to 202A104V 202A105V to 202B108V	01	E908A004

⁽¹⁾ Refer to the dimensional drawings on the following page.

⁽²⁾ The connector is supplied with each control unit. Do not use the standard connector mounted on the POSIFLOW solenoid valves.

PROPORTIONAL VALVES SUITABLE FOR CONTROL APPLICATIONS

description	series	illustration	catalogue page
3-port proportional valve for pressure control	602		www.asco.com
Posiflow proportional solenoid valves	202 203		202 1/8 (www.asco.com) 202 1/4-3/8 (www.asco.com) 203 3/8-1/2 (www.asco.com)



00024GB-2018/R01
Spécifications et dimensions peuvent être modifiées sans préavis. Tous droits réservés.

All leaflets are available on: www.asco.com

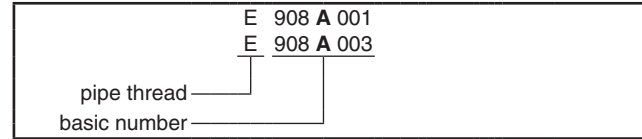
OPTIONS

- ASCO can offer any adaption or modification to the control unit to meet special requests from the users' field

INSTALLATION

- The control unit can be mounted in any position without affecting operation
- The connector to ISO 4400 / EN 175301-803, form A, is supplied with each unit
- Catalogue number E908A004: The 4-terminal connector to ISO 4400 / EN 175301-803, form A, is supplied with each unit. The outlet to the solenoid valve is fitted with a 200 mm long cable with a connector to DIN 43650, 9,4 mm, industry standard B
- Installation and maintenance instructions are included with each control unit

ORDERING EXAMPLES:

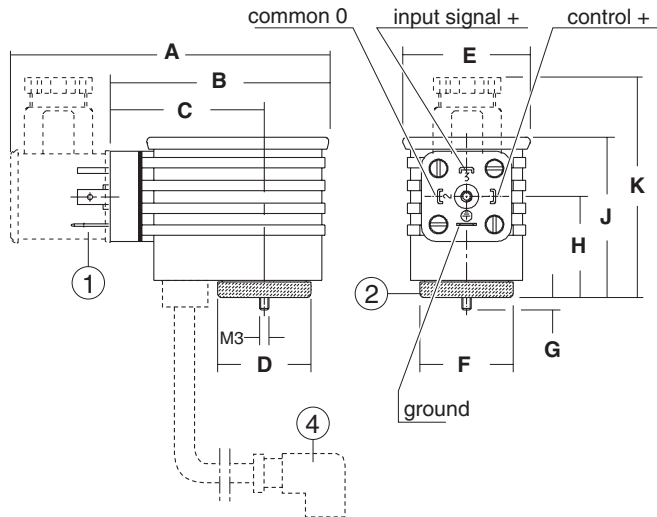


DIMENSIONS (mm), WEIGHT (kg)



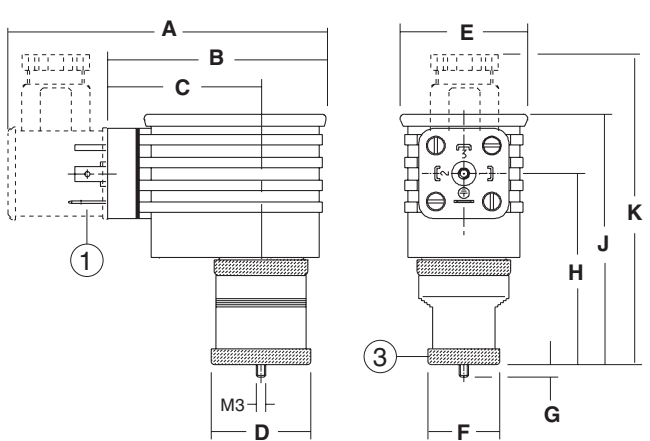
TYPE 01
POSIFLOW control unit
IEC 335 / ISO 4400
IP65

E908A001 - E908A004



TYPE 02
POSIFLOW control unit
IEC 335 / ISO 4400
IP65

E908A003

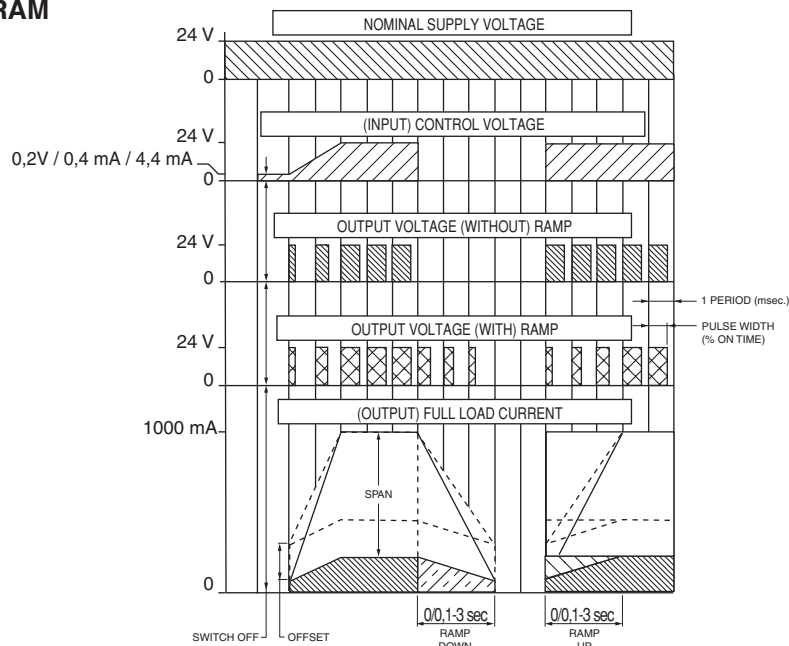


type	catalogue number	A	B	C	D	E	F	G	H	J	K	weight ⁽¹⁾
01	E908A001/004	98	70	48	30	41	30	4	32	51,5	70	0,1
02	E908A003	98	70	48	32	41	23	4	61	80	98	0,1

⁽¹⁾Weight without connector.

- ① Supply, 4 terminals, ISO 4400/EN 175301-803, form A
Solenoid valve connection:
- ② 3 terminals, ISO 4400/EN 175301-803, form A
- ③ 3 terminals, DIN 43650, 11 mm, industry standard B
- ④ 3 terminals, DIN 43650, 9,4 mm, industry standard B

VOLTAGE-CURRENT / TIME DIAGRAM



FEATURES

- Control device for **PWM** (pulse-width modulated) proportional solenoid valve control
- Designed for open-loop, closed-loop and **double-loop** (cascaded) control
- Suitable for the control of flow, pressure, temperature, force etc.
- Integrated display and LEDs
- Control parameters adjustable via software (DigiCom, USB interface)
- Auto-Adapt function/button for automatic adjustment of the CONTROL^D control device to the control valve

A special feature of the CONTROL^D is the "ASCO-DigiCom" software supplied for optimum adjustment over PC. Setpoint and feedback values can be viewed at the same time. Other functions are valve diagnostics, parameter setting and maintenance.



GENERAL

Ambient temperature -20°C to +50°C

CONSTRUCTION

Body PA (polyamide)

Degree of protection IP20

Electrical connection Pluggable terminal block (0,08 - 1,5 mm²)

Mounting DIN-EN 50022 rail

ELECTRICAL CHARACTERISTICS

Supply voltage (U_N) 24 V DC ±10 %, max. ripple 10 %
or 12 V DC +15 % -5 %, max. ripple 10 %

Max. current of proportional solenoid valve 2 A

Setpoint input 0 - 10 V DC, 0 - 20 mA, 4 - 20 mA

Sensor input 0 - 10 V DC, 0 - 20 mA, 4 - 20 mA

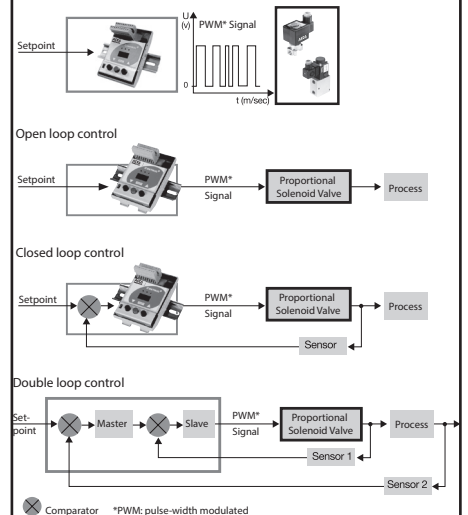
Feedback output 0 - 10 V, 0 / 4 - 20 mA

Ramp ON/OFF

Adjustable switching frequency adjustable between 0,1 and 20 seconds

20 to 2000 Hz

Control^D offers 3 control modes



SPECIFICATIONS

description	catalogue number
CONTROL ^D control device - 12 V DC	60300117
CONTROL ^D control device - 24 V DC	60300118

PROPORTIONAL VALVES SUITABLE FOR CONTROL APPLICATIONS

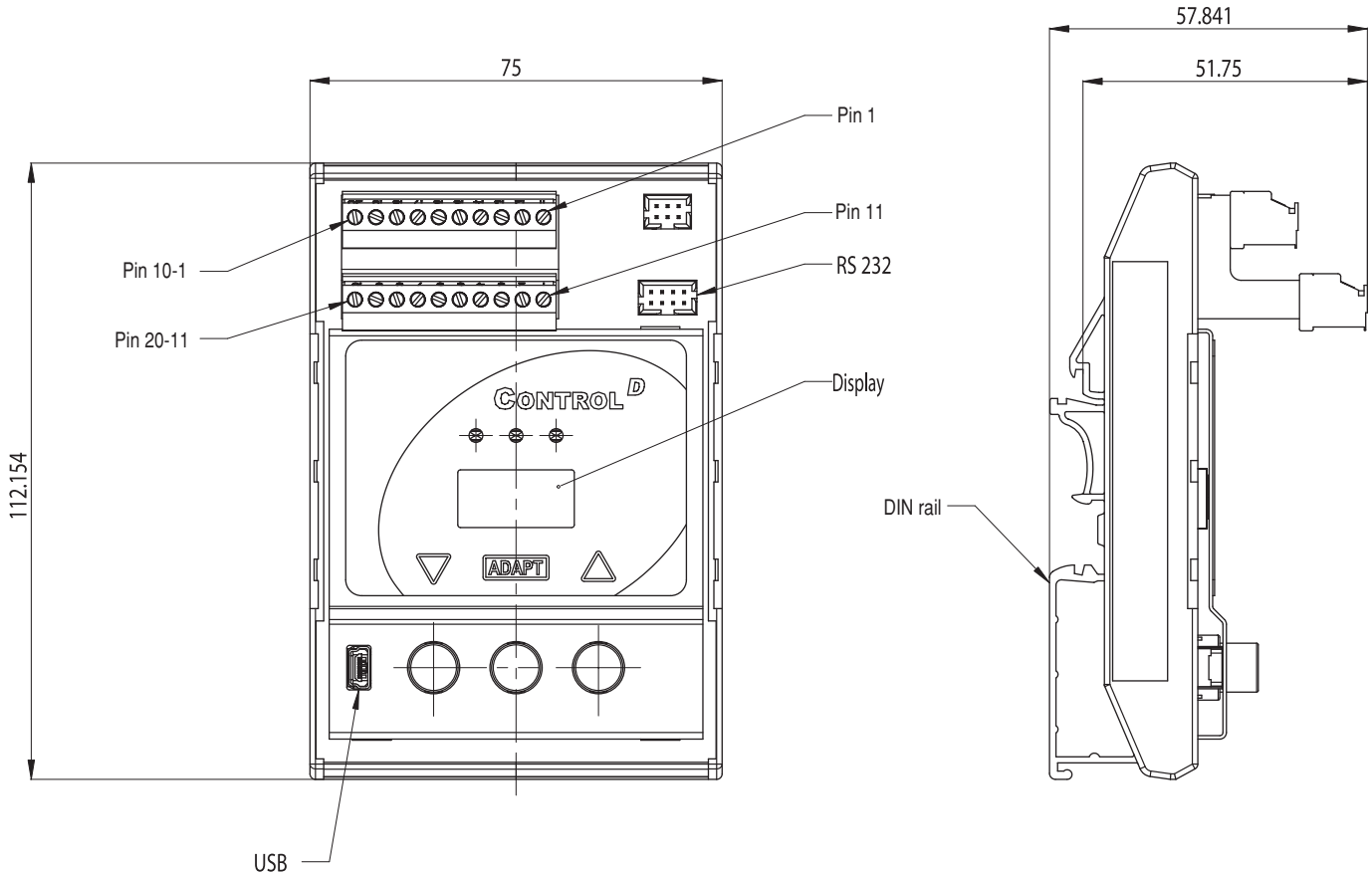
description	series	illustration	catalogue page
3-port proportional valve for pressure control	602		www.asco.com
Posiflow proportional solenoid valves	202 203		202 1/8 (www.asco.com) 202 1/4-3/8 (www.asco.com) 203 3/8-1/2 (www.asco.com)

00257GB-2018/R01
Availability, design and specifications are subject to change without notice. All rights reserved.

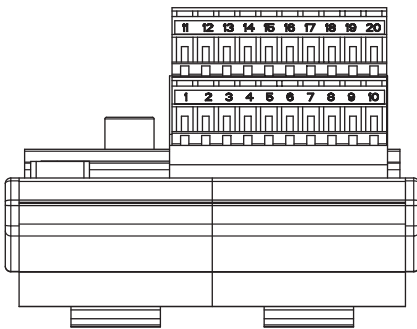
All leaflets are available on: www.asco.com

DIMENSIONS (mm), WEIGHT (kg)

weight: 0,153 kg



CONNECTOR PINNING



pin	description	pin	description
1	V DC IN/ + supply	11	Setpoint
2	GND IN/ ground	12	GND setpoint
3	Protective earth PE	13	Digital input
4	Frequency input	14	GND Digital input
5	Sensor supply voltage +	15	Valve / coil connection
6	Analog input 1	16	GND valve
7	GND sensor supply voltage	17	Digital output
8	Sensor supply voltage +	18	GND Digital output
9	Analog input 2	19	GND Analog output
10	GND sensor supply voltage	20	Analog output

ACCESSORIES

description	catalogue number
"ASCO-DigiCom" CONTROL ^D software on CD-ROM (supplied with the controller)	88100893
USB cable for CONTROL ^D to PC connection (to be ordered separately)	88100894

All leaflets are available on: www.asco.com

20 - Proportional Valves

BCAE
Automation Solutions

青岛秉诚自动化设备有限公司
地址：中国·青岛市重庆南路99号海尔云街甲3号楼7F

服务热线：4006-918-365
网址：http://www.ivalve.cc

传真：(86-532)585-10-365
Email：sales@bechinas.com



PROPORTIONAL VALVES FLOWTRONIC^D

with control loop for fast flow control
tapped body, 1/4 - 3/8 - 1/2

2 ports
Series
607



FEATURES

- The FLOWTRONIC^D consists of a fast, direct-acting 2-port proportional valve, a pressure sensor unit and digital control electronics
- Especially designed for applications placing extreme dynamic demands on flow control
- Control and maintenance of constant and even flow, irrespective of outside influences
- Precise measurement of flow with two sensors
- Adaptable to different applications due to the use of digital control electronics that can be configured by PC over a USB interface
- Auto-tune function and ASCO FlowCom PC software provide for quick and easy start-up
- Diagnosis over integrated LEDs or the ASCO FlowCom PC software

GENERAL

Fluid	Air or neutral gases, filtered at 50 µm, without condensate, lubricated or not
Minimum allowable pressure	4 bar
Maximum allowable pressure (MAP)	8 bar
Control range	5 - 2000 l/min (ANR), consult us for other ranges
Fluid temperature	0°C to +50°C
Ambient temperature	0°C to +40°C
Setpoint - analog	0 - 10 V (100 kΩ), 0/4 to 20 mA (resistance 250 Ω)
Feedback - analog	0 - 10 V, 0/4 to 20 mA (max. load 500 Ω)
Flow accuracy	
Hysteresis	± 3%
Linearity	± 3%
Repeatability	± 1,5%
Calibration conditions	
Ambient temperature	22,5°C ±2,5°C
Fluid	Air
Dynamic performance	
Response time	< 200 ms
Other features	Auto-tune, error display by LED

CONSTRUCTION

Body	Aluminium
Internal parts	Aluminium, stainless steel and brass
Seals	NBR (nitrile)

ELECTRICAL CHARACTERISTICS

nominal diameter DN	voltage *	max. power (W)	max. current (mA)	insulation class	degree of protection	electrical connection
2, 3, 5 and 6	24 V = +/-10%	30	1250	H	IP65	- 5 pin M12 connector - USB connection with 4 pin M12 connector
8		44	1800			

* Max. ripple: 10 %

SPECIFICATIONS

pipe size	DN	flow ⁽¹⁾ (l/min - ANR)	max. inlet pressure (bar)	catalogue number					
				with display			without display		
				setpoint / output feedback			setpoint / output feedback		
G				0 - 10 V	0 - 20 mA	4 - 20 mA	0 - 10 V	0 - 20 mA	4 - 20 mA
1/4	2	5 - 50	8	60701073	60701081	60701089	60701074	60701082	60701090
	3	10 - 100	8	60701055	60701063	60701071	60701056	60701064	60701072
		12 - 300	8	60701019	60701027	60701035	60701020	60701028	60701036
	5	20 - 500	8	60701001	60701009	60701017	60701002	60701010	60701018
3/8	6	50 - 1000	8	60701037	60701045	60701053	60701038	60701046	60701054
1/2	8	100 - 2000	8	60701091	60701099	60701107	60701092	60701100	60701108

⁽¹⁾ Measurement without flow restriction at the outlet.

00256GB-2016/R01
Availability, design and specifications are subject to change without notice. All rights reserved.

All leaflets are available on: www.asco.com

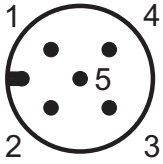


青岛秉诚自动化设备有限公司
地址：中国·青岛市重庆南路99号海尔云街甲3号楼7F

服务热线：4006-918-365
网址：http://www.ivalve.cc

Proportional Valves - 21
传真：(86-532)585-10-365
Email：sales@bechinas.com

CONNECTOR PINNING / CABLE WIRING

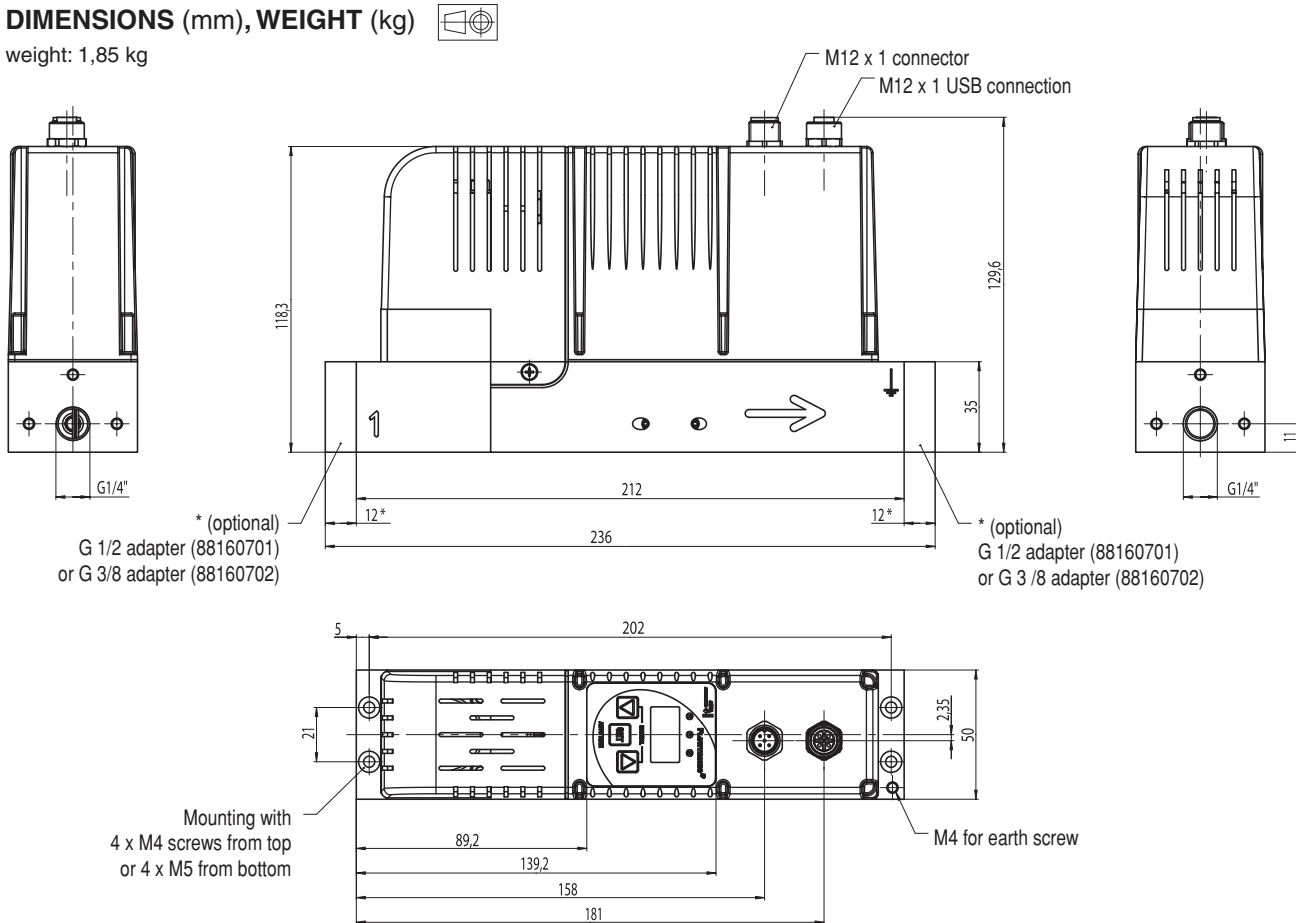


pin	description	5-wire cable (2m)	6-wire cable (5m, 10m)
1	24V voltage supply	brown	brown
2	Analog setpoint input	white	white
3	Supply ground	blue	green
	Analog ground ※		yellow
4	Analog output (feedback)	black	pink
5	Digital output (pressure switch)	grey	grey
Body	EMC shield	shield	shield

※) A 6-wire cable with separate analog ground is used for cable lengths over 2 m to set off the voltage drop for the setpoint.

DIMENSIONS (mm), WEIGHT (kg)

weight: 1,85 kg



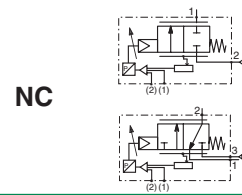
ACCESSORIES

description	catalogue number
FLOWTRONIC ^D software "ASCO-FlowCom-Light" - CD-ROM	88100895
FLOWTRONIC ^D software "ASCO-FlowCom-Expert" - CD-ROM	88100896
USB cable for connection of FLOWTRONIC ^D to PC	88100897
Straight M12 female connector, 5 pins, with screw terminals	88100256
Supply cable 2 m, 5 x 0,25 mm ² , straight connector	88100726
Supply cable 5 m, 6 x 0,56 mm ² , straight connector	88100728
Supply cable 10 m, 6 x 0,56 mm ² , straight connector	88100730



PROPORTIONAL VALVES WITH POSITIONER^D

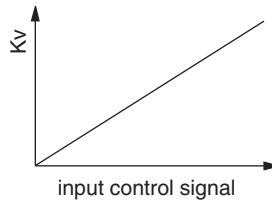
pressure operated
all standard connection types



2 way
3 way
Series
290/390

FEATURES

- Precise, quick-acting and robust valve suitable for use in outside industrial environments
- Exceptional long service life
- Variable flow proportional to the control signal
- Real-time control
- Ready-to-use valve
- The positioner can be directly connected to an external sensor (double loop control)
- Power saving function and no air consumption when position is reached
- Manual valve operator
- LED indicators for valve status display

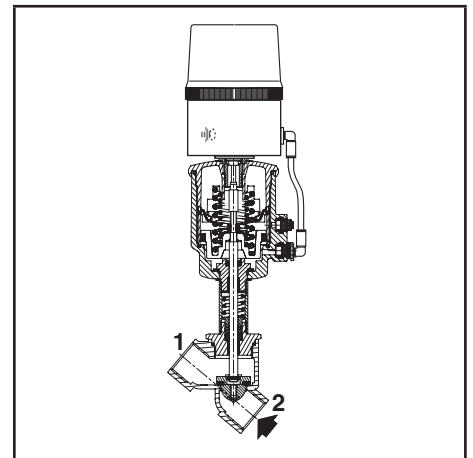


GENERAL

Differential pressure	0 to 16 bar [1 bar = 100 kPa]
Maximum allowable pressure	16 bar
Ambient temperature range	0°C to +50°C
Maximum viscosity	600 cSt (mm ² /s)
Pilot fluid	Air or inert gas, filtered 25 µm, unlubricated, condensate-free and water-free (observe the pressure dew point) ⁽⁶⁾
Pilot pressure	4 to 8 bar
Pilot fluid temperature	0°C to +50°C
Response time	See Pressure Operated Valves (2/2), page 7 (www.asco.com)
Fluids	For type, temperature and materials compatibility, see the catalogue pages for the standard valves See Pressure Operated Valves (2/2), 290 Series - (3/2), 390 Series

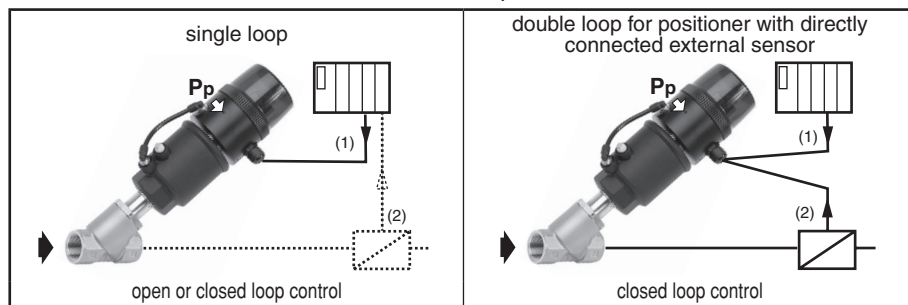
ELECTRICAL CHARACTERISTICS

Setpoint reached output	ON/OFF, 24 V PNP / max. 500 mA
Analog position feedback signal	0-10 V / 4-20 mA
Analog setpoint	0-10V (R _{in} = 200 kΩ); 4-20 mA (R _{in} = 250 Ω)
Nominal supply voltage	24 V DC ± 10%, max. ripple 10%
Power	7,6 W (3,6 W, setpoint reached)
Connection	Screw terminals, cable gland (cable Ø 5-10 mm) or connection M12 (CNOMO E03.62.520.N)
Degree of protection	IP66 (EN 60529)
Electromagnetic compatibility	EMC 2004/108/EC
Regulation characteristics	Hysteresis < 2% ; Accuracy < 2% ; Repeatability < 1%



CONSTRUCTION

Valve construction	See Pressure Operated Valves (2/2) - (3/2)
Valve disc (2/2)	Profiled disc, stainless steel and PTFE
Valve disc (3/2)	Standard disc
Positioner body	Aluminium anodised
Cable gland	Plastic (cable Ø 5-10 mm)
Cover	PA 12, transparent



(1) Setpoint
(2) Value measured by the process sensor

SPECIFICATIONS (NC valves, fluid entry under the disc)

analog setpoint	suffix for proportional valve and positioner ⁽³⁾ delivered assembled							
	fail in last position ⁽⁴⁾				fail close ⁽⁵⁾			
	2 way		3 way ⁽⁷⁾		2 way		3 way ⁽⁷⁾	
	cable gland	M12	cable gland	M12	cable gland	M12	cable gland	M12
Positioner^D, single loop								
0 - 10 V DC	PDB64	PDB68	B64	B68	PDB66	PDB70	B66	B70
4 - 20 mA	PDB65	PDB69	B65	B69	PDB67	PDB71	B67	B71
Positioner^D, double loop								
0 - 10 V DC	-	-	-	-	PDB72	PDB74	B72	B74
4 - 20 mA	-	-	-	-	PDB73	PDB75	B73	B75

(3) Place the indicated suffix after the catalogue number of the valve selected.

(4) Valve disc remains in its last position on loss of power.

(5) Valve returns to closed position on loss of power.

(6) The actuator exhaust air is used to ventilate the electronics housing.

(7) Top orifice of this version is not tight, for the tight version contact us.

00196GB-2018/R01
Availability, design and specifications are subject to change without notice. All rights reserved.

All leaflets are available on: www.asco.com



青岛秉诚自动化设备有限公司
地址：中国·青岛市重庆南路99号海尔云街甲3号楼7F

服务热线：4006-918-365
网址：<http://www.ivalve.com>

Proportional Valves - 23
传真：(86-532)585-10-365
Email：sales@bechinas.com

VALVE SPECIFICATIONS

pipe size (DN)	orifice size	pilot pressure (bar)		operator diameter	flow coefficient (Kv), programmable opening of proportional valve						
					2 way, threaded		2 way, flanges		3 way, threaded		
					bronze / stainless steel [E290 (www.asco.com)]		bronze [T290 (www.asco.com)]		bronze [E390 (www.asco.com)]		
					clamp / butt welding [S290 (www.asco.com)]						
		min.	max. ⁽¹⁾		(m ³ /h)	(l/min)	(m ³ /h)	(l/min)	(m ³ /h)	(l/min)	
NC - Normally closed, entry under the disc											
1/2 (15)	15	3 / 5	2 / 3	8	63	4,6	77	-	-	6	100
3/4 (20)	20	3 / 5	-	8	63	7,1	118	-	-	-	-
		-	3 / 5	8	63	-	-	-	-	9,6	160
1 (25)	25	3 / 5	3 / 5	8	63/90	15	250	11	183	16,2	270
1 1/4 (32)	32	3 / 5	5	8	63/90	21	350	14	233	24	400
		3 / 5	3 / 5	8	125	22	367	15	250	-	-
1 1/2 (40)	40	4	3 / 5	8	63/90	29	483	21	350	42,9	715
		4	5	8	125	44	733	32	533	42,9	715
2 (50)	50	4	5	8	63/90	40	667	26,5	442	52,8	880
		4	5	8	125	66	1100	44	733	52,8	880
2 1/2 (65)	65	4	-	8	90	72	1200	-	-	-	-
		4	-	8	125	84	1400	-	-	-	-

⁽¹⁾ For best control loop operation, we recommend the following pilot pressures:
 max. 3 bar (valve with 1,5 bar operator) ; max. 5 bar (valve with 2,5 bar operator) ; max. 7 bar (valve with 4 bar operator)
⁽²⁾ 3 bar (valve with 2,5 bar operator) ; 5 bar or 4 bar (valve with 4 bar operator)

OPTIONS AND ACCESSORIES

- Standard 2/2 NC valve, fluid entry under the disc, with profiled disc only, use suffix PD, example: E290A016PD
- Female M12 connector: straight catalogue number: **88100256**
- 5 pins, with screw terminals, 5 x 0,25 mm², catalogue number: **88130212**
- Supply cable 5 m, 6 x 0,5 mm², catalogue number: **88100728**
- Supply cable 10 m, 6 x 0,5 mm², catalogue number: **88100730**
- APC software for modification of control parameters (software required for double loop control) available for download at: www.asco.com
- RS-232 converter, 2 m cable with 9 pin Sub-D connector for PC link, catalogue number **88100732**
- Oxygen service (except DN 65), pressure limited to 15 bar, temperature limited to + 60°C, suffix **N**
- Vacuum applications up to 1,33 10⁻³ mbar, suffix **VM**
- Other pipe connections are available on request

INSTALLATION

- Pilot port G 1/8 according to ISO 228/1
- Compatible with ASTM 1, 2 and 3 oils
- Installation/maintenance instructions are included with each valve
- LED indicators for operating status display and diagnostic functions (Unit can be rotated through 360° around the centreline of the valve operator)

status	hold position
	valve OPEN
	valve CLOSED
	valve moves to open
	valve moves to close
	positioner in initialisation mode
	positioner in manual mode
diagnostics	setpoint > 20,5 mA / 10,25 V
	setpoint < 3,5 mA
	positioner not initialised
	component error



Electrical connection:
Positioner^D, single loop
 screw terminals



1	+ 24 V DC, supply	1
2	GND supply	3
3	+ setpoint (0-10 V or 4-20 mA)	2
4	GND setpoint	3
6	disc position feedback	4
7	+ 24V ON/OFF output	5

Positioner^D, double loop
 screw terminals



1	+ 24 V DC, supply	1
2	GND supply	3
3	+ setpoint (0-10 V or 4-20 mA)	2
4	GND setpoint	3
5	external sensor input	4
7	+ 24V ON/OFF output	5

SPARE PARTS KITS

	spare parts kit no.	
	cable gland (cable Ø 5-10 mm)	Positioner ^D only connection M12
Fail position maintained, single loop		
0-10 V	60566108	60567108
4-20 mA	60566308	60567308
Fail close, single loop		
0-10 V	60566118	60567118
4-20 mA	60566318	60567318
Fail close, double loop		
0-10 V	60566418	60567418
4-20 mA	60566518	60567518
Mounting kit		
all	C140423	C140423

ORDERING EXAMPLES:

E	290 A 016	PDB64
E	390 A 016	B64
E	290 A 059	PDB68
E	290 A 102	PDB71

pipe thread ———
basic number ——— suffix

ORDERING EXAMPLES KITS:

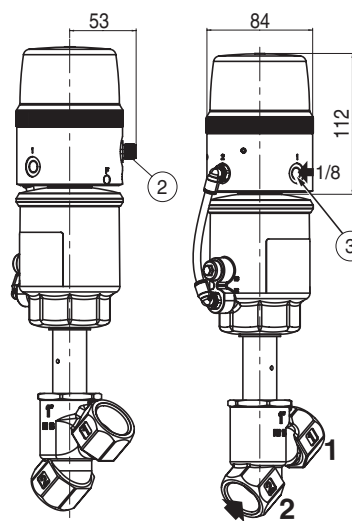
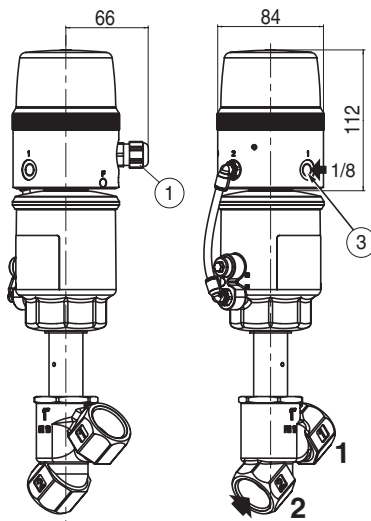
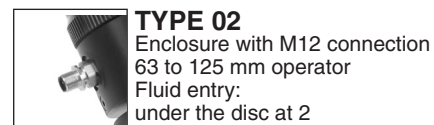
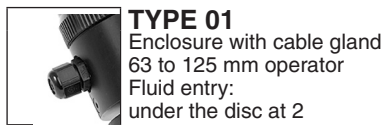
C131204	
C140206	
C140205	VM

basic number ——— suffix

pipe size (DN)	spare parts kit no.		
	bronze, stainless steel (E290) clamp / butt welding (S290)	bronze (T290)	bronze (E390)
Valve disc seals			
1/2 (15)	C131204 ⁽¹⁾	-	C140021 ⁽¹⁾
3/4 (20)	C131205 ⁽¹⁾	-	C140022 ⁽¹⁾
1 (25)	C131206 ⁽¹⁾	C140017 ⁽¹⁾	C140023 ⁽¹⁾
1 1/4 (32)	C131207 ⁽¹⁾	C140018 ⁽¹⁾	C140024 ⁽¹⁾
1 1/2 (40)	C131208 ⁽¹⁾	C140019 ⁽¹⁾	C140025 ⁽¹⁾
2 (50)	C131209 ⁽¹⁾	C140020 ⁽¹⁾	C140026 ⁽¹⁾
2 1/2 (65)	C131622 ⁽¹⁾	-	-

⁽¹⁾ Standard suffix VM also applies to kits. (www.asco.com)
- Not available.

DIMENSIONS (mm), WEIGHT (kg)



- ① M16 x 1,5 mm cable gland (cable Ø 5-10 mm)
- ② M12 connection
- ③ G 1/8 pilot connection

Weight of positioner without valve: 0,3 kg

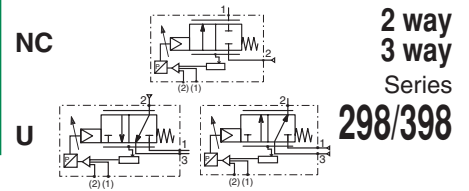
00196GB-2018/R01
Availability, design and specifications are subject to change without notice. All rights reserved.

All leaflets are available on: www.asco.com



PROPORTIONAL VALVES WITH POSITIONER^D

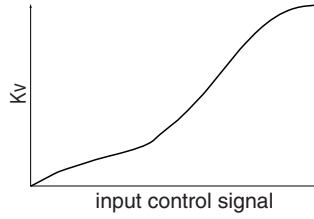
pressure operated
stainless steel body, PN40, DN 15 to 50



2 way
3 way
Series
298/398

FEATURES

- Ruggedly built valve, particularly recommended for use with steam, superheated water, corrosive fluids
- Exceptional long service life
- Variable flow exponential to the control signal
- LED indicators for valve status display
- Fast response time
- Vibration resistance according standard EN 60068-2-6
- Fail close function in case of power supply failure
- Easy commissioning, ready-to-use valve
- Power saving function and no air consumption when position is reached
- Manual valve operator
- The valves satisfy Pressure Equipment Directive 2014/64/EU
- The Positioner^D comply with the essential requirements of EMC Directive 2014/30/EU



GENERAL

Differential pressure	40 bar [1 bar =100 kPa]
Maximum allowable pressure	40 bar
Fluid temperature range	-10°C to 233°C (disc seal: PEEK) [diagram I] 0°C to +50°C [diagram II] [see the diagram II following fluids temperature]
Ambient temperature range	
Maximum viscosity	5000 cSt (mm ² /s)
Pilot fluid	Air or inert gas, filtered 50 µm, unlubricated
Pilot pressure	4 to 8 bar
Pilot fluid temperature	0°C to 20°C

ELECTRICAL CHARACTERISTICS

Analog position feedback signal	0-10 V / 4-20 mA
Analog setpoint	0-10V (R _{in} = 200 kΩ); 4-20 mA (R _{in} = 250 Ω)
Nominal supply voltage	24 V DC ± 10%, max. ripple 10%
Power	7,6 W (3,6 W, setpoint reached)
Connection	Screw terminals, cable gland (cable Ø 5-10 mm) or connection M12 (CNOMO E03.62.520.N)
Degree of protection	IP66 (EN 60529)
Electromagnetic compatibility	EMC 2004/108/EC
Regulation characteristics	Hysteresis < 2% Accuracy < 2% Repeatability < 1%

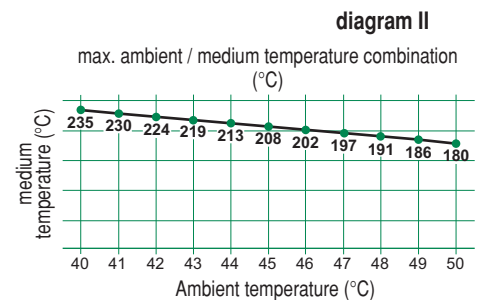
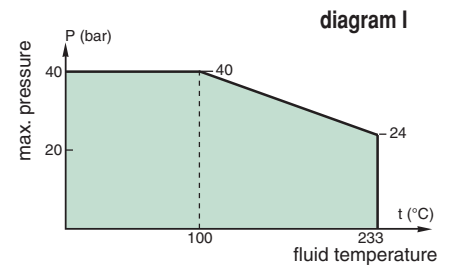
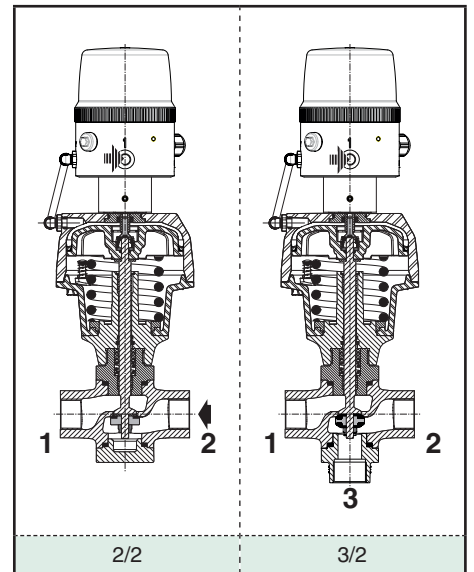
CONSTRUCTION

MATERIALS IN CONTACT WITH FLUID	
(*) Ensure that the compatibility of the fluids in contact with the materials is verified	
Body and plug	304 stainless steel
Stuffing box housing	304 stainless steel
Stem, disc	431 stainless steel
Stuffing box packing	PTFE chevrons
Disc seals	PEEK
Valve body seal	PEEK

OTHER MATERIALS

Operator	Aluminium, nickel plated
Screws	Galvanized steel
Positioner body	Aluminium & Anodic oxydation
Positioner cover	Polyamide, PA 12

(*) Ensure that the compatibility of the fluids in contact with the materials is verified.



1478GB-2018/R01 Availability, design and specifications are subject to change without notice. All rights reserved.

All leaflets are available on: www.asco.com



青岛秉诚自动化设备有限公司
地址：中国·青岛市重庆南路99号海尔云街甲3号楼7F

服务热线：4006-918-365
网址：http://www.ivalve.com

Proportional Valves - 27
传真：(86-532)585-10-365
Email：sales@bechinas.com

OPTIONS

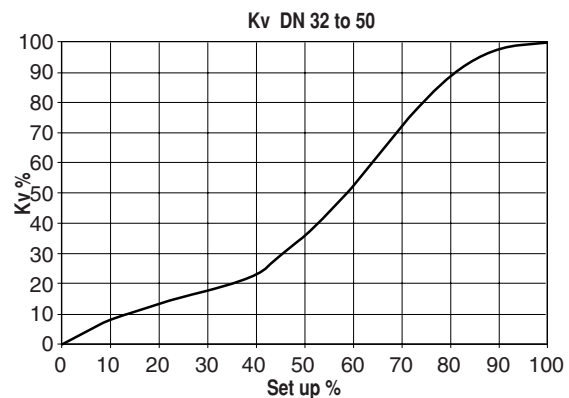
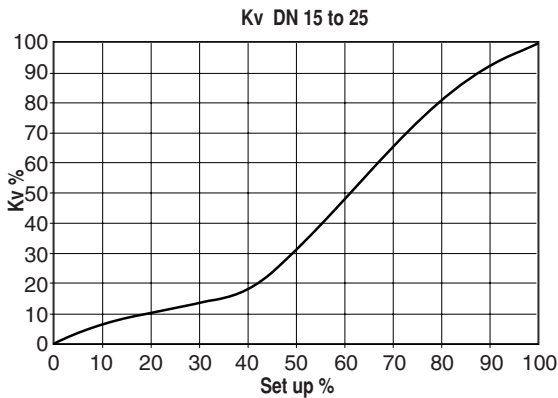
For use in explosive atmospheres to ATEX Directive 2014/34/EU (with a Sentronic on request)
Valve seat leakage class VI as defined by FCI-2 ANSI B16.104 or Class A or B following EN 12266-1, contact us
Double loop control on request
Female M12 connector: straight - 5 pins, with screw terminals, catalogue number: 88100256
Female M12 connector: Supply cable 5 m, 5 x 0,25 mm ² , catalogue number: 88130212
Female M12 connector: Supply cable 10 m, 6 x 0,5 mm ² , catalogue number: 88100730
APC software for modification of control parameters available for download
RS-232 converter, 2 m cable with 9 pin Sub-D connector for PC link, catalogue number 88100732

VALVE SPECIFICATIONS

pipe size	DN	orifice size	operator diameter	flow coefficient (Kv) of proportional valve										pilot pressure (bar)			max. differential pressure ⁽¹⁾ (bar)
				2 way		3 way ⁽²⁾						min.		max. ⁽¹⁾			
						mixer			distributor			2 way ⁽²⁾	3 way				
				2 → 1		3 → 2	1 → 2	2 → 3	2 → 1								
		(mm)	(mm)	(m ³ /h)	(l/min)	(m ³ /h)	(l/min)	(m ³ /h)	(l/min)	(m ³ /h)	(l/min)	(m ³ /h)	(l/min)	2 way ⁽²⁾	3 way	(⁽¹⁾)	
1/2	15	15	80	3,5	58,3	3,3	54	4,4	73	3,5	59	4,6	78	4	4	8	40
3/4	20	20	100	6,3	105	8,0	133	7,4	123	8,1	136	7,7	129				
1	25	25	100	10,7	178,3	11,4	190	11,6	194	12,1	203	11,9	199				
1 1/4	32	32	150	15	250	18,9	316	16,6	278	17,9	299	16,6	278				
1 1/2	40	40	150	24	400	27	450	27	450	27	450	27	450				
2	50	50	200	40	666,6	51	850	51	850	51	850	51	850				

⁽¹⁾ Admissible differential pressure (for temperature of up to 100°C).

⁽²⁾ Valve without profiled disc.

FLOW CHARACTERISTICS FOR 2 WAY VALVES


HOW TO ORDER

[Configurator - CAD Files](#)

15-DIGIT PRODUCT CODE

T 298 B P 3 7 D V 0GE 00

Connection

- E** = ISO 228/1 & ISO 7/1 (combination thread, G*)
- 8** = NPTF (ANSI B1.20.3)
- T** = Flanges
- W** = Socket Welded

Product series

- 298** (2 way)
- 398** (3 way)

Revision letter

- B** = New Stuffing Box and Disc Materials

Function

- P** = 2/2 Normally Closed with Proportional Disc
- 2** = 3/2 Universal

Diameter (mm)

- 3** = 15 mm
- 4** = 20 mm
- 5** = 25 mm
- 6** = 32 mm
- 7** = 40 mm
- 8** = 50 mm

Operator Dia. - Piloting Connection Dia.

7 = Ø80 mm - G 1/8	DN 15
8 = Ø80 mm - NPT 1/8 ⁽¹⁾	DN 15
D = Ø100 mm - G 1/8	DN 20 - DN 25
E = Ø100 mm - NPT 1/8 ⁽¹⁾	DN 20 - DN 25
K = Ø150 mm - G 1/4	DN 32 - DN 40
L = Ø150 mm - NPT 1/4 ⁽¹⁾	DN 32 - DN 40
M = Ø200 mm - G 1/4	DN 50
N = Ø200 mm - NPT 1/4 ⁽¹⁾	DN 50

Options

- 0CG** = Digital positioner Fail position maintained, single loop 0-10 V Cable gland
- 4CG** = Digital positioner Fail position maintained, single loop 4-20 mA Cable gland
- 0M1** = Digital positioner Fail position maintained, single loop 0-10 V M12
- 4M1** = Digital positioner Fail position maintained, single loop 4-20 mA M12
- 0GE** = Digital positioner Fail position closing, single loop 0-10 V Cable gland
- 4GE** = Digital positioner Fail position closing, single loop 4-20 mA Cable gland
- 0ME** = Digital positioner Fail position closing, single loop 0-10 V M12
- 4ME** = Digital positioner Fail position closing, single loop 4-20 mA M12

Disc Seal Material

- V** = PEEK

Port Type

Threaded ports

- 0** = 2 way
- U** = 3 way (ISO 228/1 & ISO 7/1)
- 8** = 3 way NPT ⁽¹⁾

Flanges

- D** = 2 way/3 way - Flanges DIN EN 1092-1 (ISO 7005) Standard
- P** = 2 way/3 way - Flanges ANSI Class 300
- E** = 3 way - Flanges DIN EN 1092-1 + Third way port threaded Gaz + Rp
- S** = 3 way - Flanges ANSI Class 300 + Third way port threaded NPT

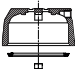
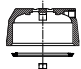
Socket Welded

- A** = 2 way/3 way

⁽¹⁾ Connection = NPTF (ANSI B1.20.3) / Flanges ANSI Class 300

SPARE PARTS KITS CODE

PEEK disc version (*)

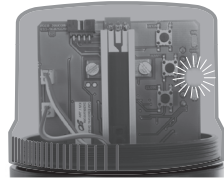
2 way		3 way	
	DN 15 NC M29853148000100		DN 15 U M39853148000300
	DN 20 NC M29853148000400		DN 20 U M39853148000600
	DN 25 NC M29853148000700		DN 25 U M39853148000900
	DN 32 NC M29853148001000		DN 32 U M39853148001200
	DN 40 NC M29853148001300		DN 40 U M39853148001500
	DN 50 NC M29853148001600		DN 50 U M39853148001800

(*) Ensure that the compatibility of the fluids in contact with the materials is verified.

INSTALLATION

- Installation/maintenance instructions are included with each valve
- LED indicators for operating status display and diagnostic functions (Unit can be rotated through 360° around the centreline of the valve operator)

status	hold position
	valve OPEN
	valve CLOSED
	valve moves to open
	valve moves to close
diagnostics	positioner in initialisation mode
	positioner in manual mode
	setpoint > 20,5 mA / 10,25 V
	setpoint < 3,5 mA
	positioner not initialised
	component error



Electrical connection:

Positioner², single loop

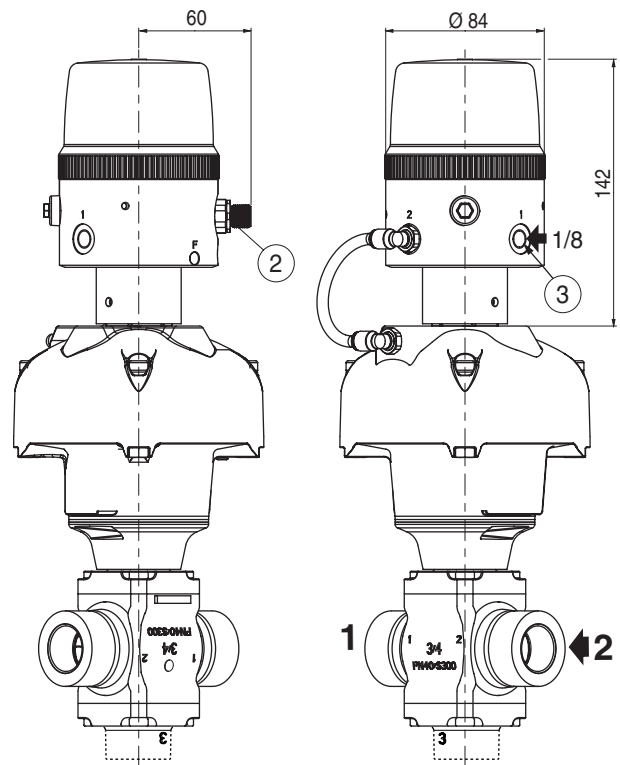
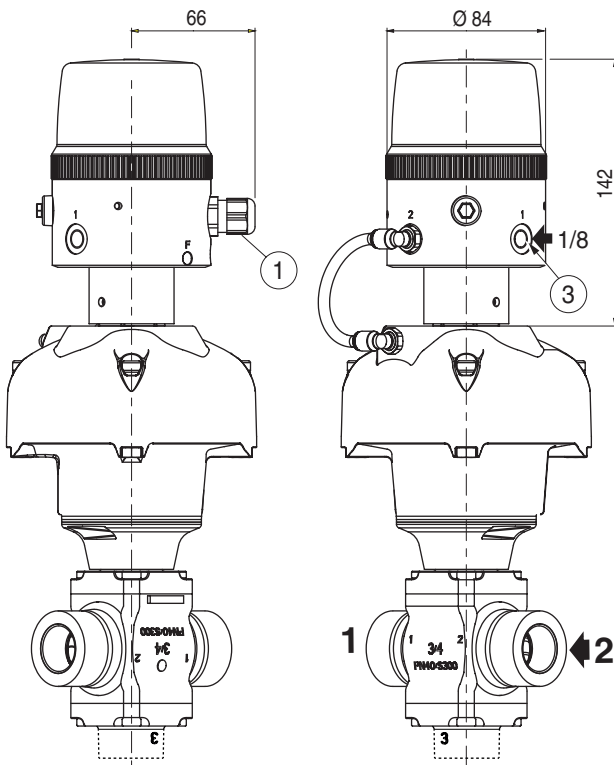
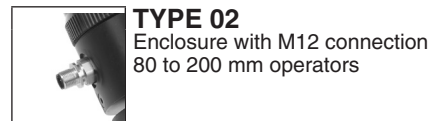
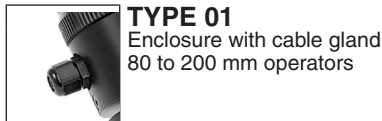
screw terminals



1	+ 24 V DC, supply	1
2	GND supply	3
3	+ setpoint (0-10 V or 4-20 mA)	2
4	GND setpoint	3
6	disc position feedback	4
7	+ 24V ON/OFF output	5

DIMENSIONS (mm), WEIGHT (kg)

[Configurator - CAD Files](#)



- ① Presse-étoupe M16 x 1,5 mm (câble Ø 5-10 mm)
- ② Connexion M12
- ③ Raccordement pilote G 1/8

Masse du positionneur (sans la vanne) : 0,3 kg

All leaflets are available on: www.asco.com

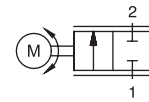
30 - Proportional Valves



青岛秉诚自动化设备有限公司
地址：中国·青岛市重庆南路99号海尔云街甲3号楼7F

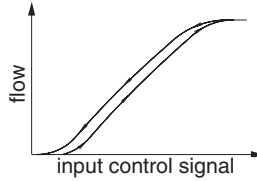
服务热线：4006-918-365
网址：<http://www.ivalve.com>

传真：(86-532)585-10-365
Email：sales@bechinas.com



FEATURES

- Variable valve opening (flow), proportional to the control signal
- Digital controller with two operating buttons and position indication
- Valves do not require a minimum operating pressure
- Low power consumption
- Wear-resistant ceramic control discs
- Insensitive to contamination
- Suitable for vacuum and overpressure applications
- Mechanical separation of electrical actuator from fluid-carrying parts
- Valve position maintained on loss of power
- Valves can be mounted in any position
- The solenoid valves satisfy all relevant EU directives



GENERAL

Differential pressure -0,9 to +10 bar (usable in 0,1 bar abs. vacuum) [1 bar = 100 kPa]
Ambient temperature range 0°C to +50°C
Maximum viscosity 80 cSt (mm²/s)
Actuating time 2 s

fluids (*)	temperature range (TS) ⁽¹⁾	seal materials (*)
air, inert gas, water, oil	-5°C to +90°C	oxide ceramics EPDM (ethylene-propylene)

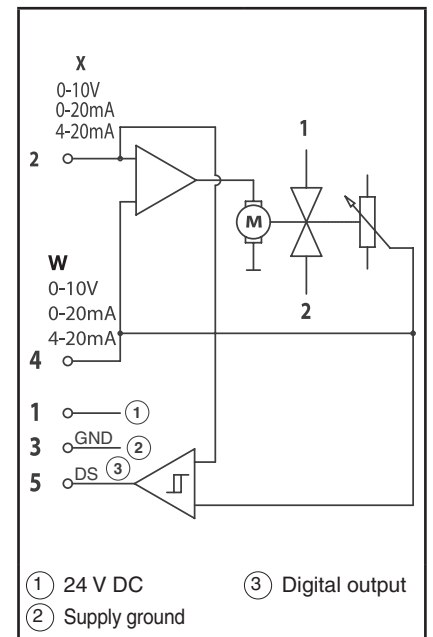
MATERIALS IN CONTACT WITH FLUID

(*) Ensure that the compatibility of the fluids in contact with the materials is verified

Body Brass
Internal parts POM, stainless steel
Seals Oxide ceramics, EPDM

ELECTRICAL CHARACTERISTICS

Connector 5-pin female M12 connector
Electrical enclosure protection IP65 (EN 60529)
Standard voltage DC (=): 24V
Power consumption 6 W (max. 10 W at end of stroke)
Flow regulation characteristics ⁽²⁾ Hysteresis < 3%; Repeatability < 2%; Sensitivity < 2%



SPECIFICATIONS

pipe size	orifice size	flow coefficient Kv		operating pressure differential (bar)			setpoint	feedback output	catalogue number	
				min.	max. (PS)					
G	(mm)	(m ³ /h)	(l/min)		air, water (*)	oil (*)				
3/4	15	3,5	58	-0,9	10	10	0-10 V	0-10 V	6100011x	
								0-20 mA	6100021x	
								4-20 mA	6100031x	
								0-20 mA	0-10 V	6100111x
									0-20 mA	6100121x
									4-20 mA	6100131x
							4-20 mA	0-10 V	6100211x	
								0-20 mA	6100221x	
								4-20 mA	6100231x	

⁽¹⁾ Damage may occur when liquids solidify above the specified minimum temperature.
⁽²⁾ Values related to valve position.


controller structure	x
standard version (position controller)	0
External feedback input 0 - 10 V (double loop (cascade) control)	1
External feedback input 0 - 20 mA (double loop (cascade) control)	2
External feedback input 4 - 20 mA (double loop (cascade) control)	3
External frequency input NPN (after GND) (double loop (cascade) control)	4
External frequency input PNP (after +24 V) (double loop (cascade) control)	5

OPTIONS AND ACCESSORIES

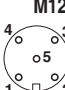
• Female M12 connector:		straight	right-angle
- 5 pins, with screw terminals,		catalogue number: 88100256	88100725
- Supply cable 2 m,	5 x 0,25 mm ² ,	catalogue number: 88100726	88100727
- Supply cable 5 m,	6 x 0,56 mm ² ,	catalogue number: 88100728	88100729
- Supply cable 10 m,	6 x 0,56 mm ² ,	catalogue number: 88100730	88100731
• Software tool for PC "ASCO-MotorCom" available for download at: www.asco.com			
• RS-232 converter, 2 m cable with 9 pin Sub-D connector for PC link, catalogue number 88100732			

INSTALLATION

- The solenoid valves can be mounted in any position without affecting operation
- Threaded pipe connection is standard: G = G (ISO 228/1)
- Installation/maintenance instructions are included with each valve
- LED display
 - LED red = low voltage or overvoltage (blinking)
 - LED green = pressure switch
 - LED yellow = manual operation
- Electrical connection:
 - Male connector pinning (power supply)**



M12




5-wire cable (2 m)


+ 24 V DC, supply	1	brown	brown
analog setpoint input	2	white	white
supply ground	3	blue	green
analog ground ⁽¹⁾			yellow
analog output (feedback)	4	black	pink
digital output (pressure switch)	5	grey	grey
EMC shield	housing ⁽²⁾	shield	shield

6-wire cable (5 m, 10 m)

+ 24 V DC, supply	1	brown	brown
external feedback input	2	white	white
supply ground	3	blue	green
frequency input	4	black	pink
unused	5	grey	grey
EMC shield	housing ⁽²⁾	shield	shield



M12



⁽¹⁾ A 6-wire cable with separate analog ground is used for cable lengths over 2 m to set off the voltage drop for the setpoint.
⁽²⁾ The housing of the M12 male connector/M12 female connector is connected to the valve body.

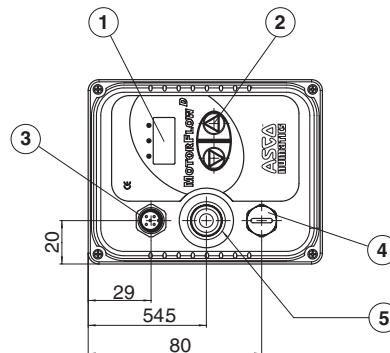
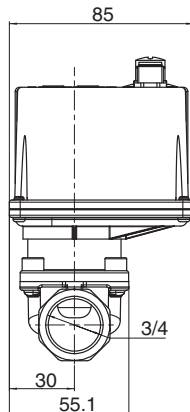
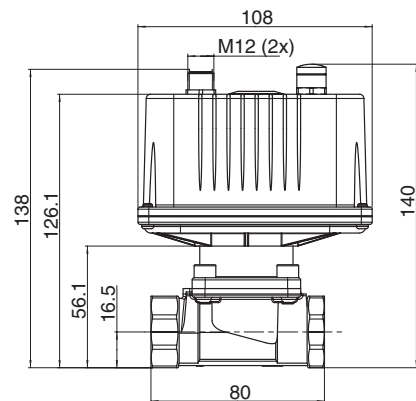
ORDERING EXAMPLES:

610	0	0	1	1	0
610	0	1	2	1	1
610	0	2	3	1	2

series ————
 pipe thread ————
 setpoint ————
 feedback output ————

controller structure ————
 digital output (pressure switch) ————

DIMENSIONS (mm), WEIGHT (kg)



weight
1,1

- ① Valve opening display (0-100%)
- ④ Sensor input
- ② Operating buttons (manual operation)
- ⑤ Programming hole
- ③ Power supply

All leaflets are available on: www.asco.com