

Round plug connector, Series CON-RD



AVENTICS™ Round plug connector, Series CON-RD

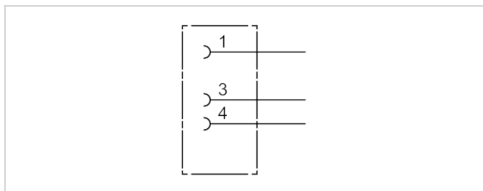


Round plug connector, Series CON-RD

- Socket, M8x1, 3-pin, A-coded, straight, 180°
- UL (Underwriters Laboratories)
- unshielded



| | |
|-------------------------------|---------------|
| Connection type | Soldering |
| Ambient temperature min./max. | -25 ... 80 °C |
| Operational voltage | 48 V AC/DC |
| Protection class | IP67 |
| Weight | 0.009 kg |



Technical data

| Part No. | Max. current | suitable cable-Ø min./max |
|------------|--------------|---------------------------|
| 1834484173 | 4 A | 3.5 / 5 mm |

Technical information

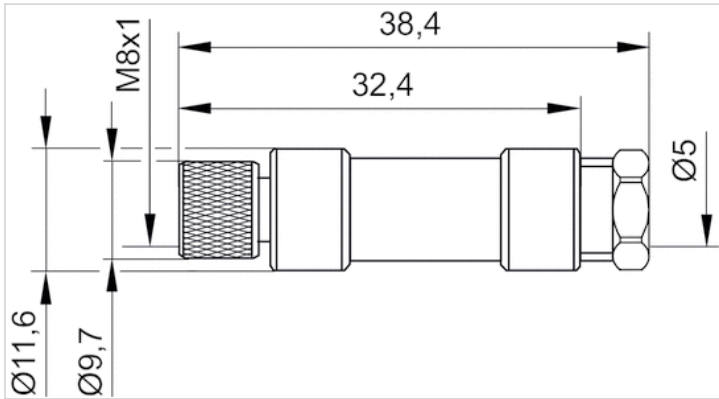
The specified protection class is only valid in assembled and tested state.

Technical information

| Material | |
|----------|-----------|
| Housing | Polyamide |

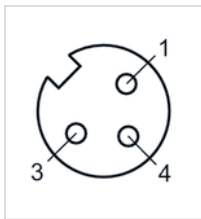
Dimensions

Dimensions



Pin assignments

Pin assignment, socket

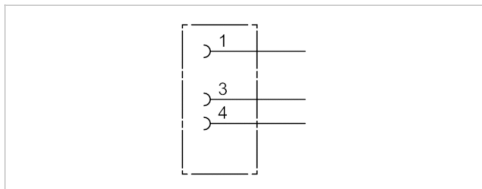


Round plug connector, Series CON-RD

- Socket, M8x1, 3-pin, A-coded, angled, 90°
- UL (Underwriters Laboratories)
- unshielded



| | |
|-------------------------------|---------------|
| Connection type | Soldering |
| Ambient temperature min./max. | -40 ... 85 °C |
| Operational voltage | 48 V AC/DC |
| Protection class | IP67 |
| Weight | 0.01 kg |



Technical data

| Part No. | Max. current | Contact assignment | suitable cable-Ø min./max |
|------------|--------------|--------------------|---------------------------|
| 1834484174 | 4 A | 3 | 3.5 / 5 mm |

Technical information

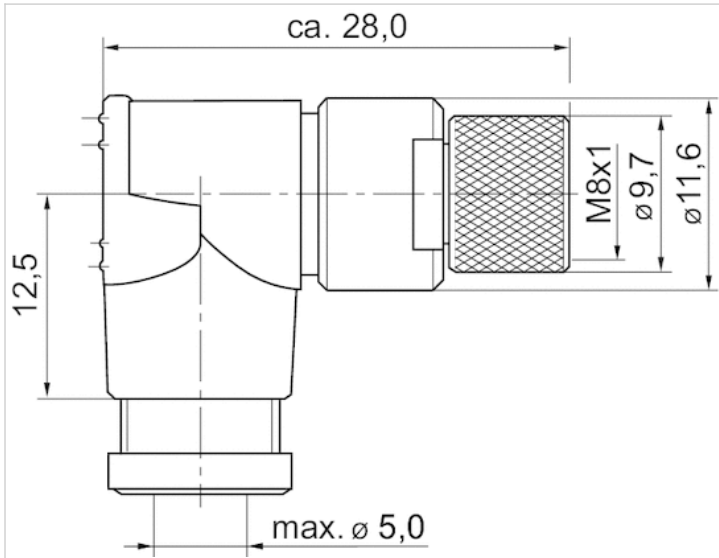
The specified protection class is only valid in assembled and tested state.

Technical information

| Material | |
|----------|-----------|
| Housing | Polyamide |

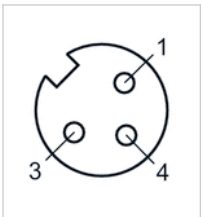
Dimensions

Dimensions



Pin assignments

Pin assignment, socket

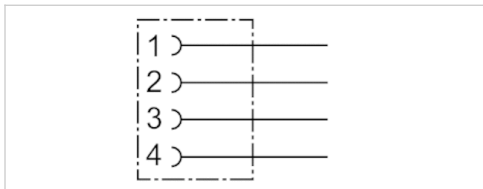


Round plug connector, Series CON-RD

- Socket, M8x1, 4-pin, A-coded, straight, 180°
- UL (Underwriters Laboratories)
- unshielded



| | |
|-------------------------------|---------------|
| Ambient temperature min./max. | -40 ... 85 °C |
| Operational voltage | 48 V AC/DC |
| Protection class | IP67 |
| Weight | 0.009 kg |



Technical data

| Part No. | Max. current | suitable cable-Ø min./max |
|------------|--------------|---------------------------|
| 1834484175 | 4 A | 3.5 / 5 mm |

Technical information

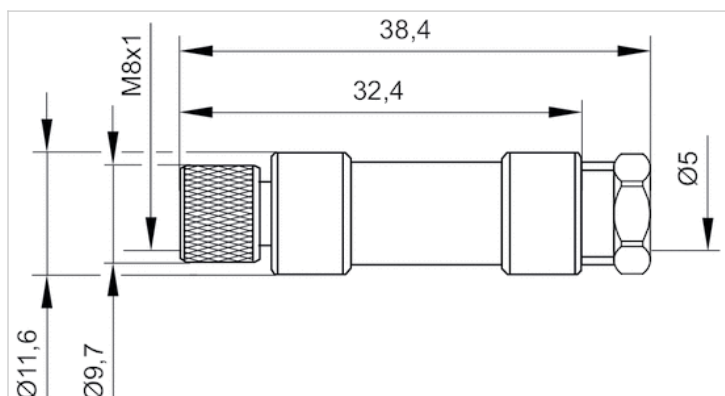
The specified protection class is only valid in assembled and tested state.

Technical information

| Material | |
|----------|-----------|
| Housing | Polyamide |

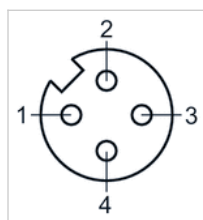
Dimensions

Dimensions



Pin assignments

Pin assignment, socket

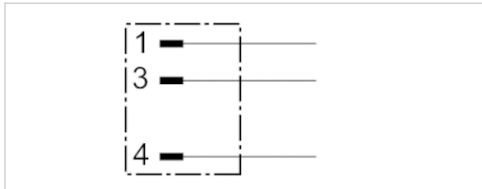


Round plug connector, Series CON-RD

- Plug, M8x1, 3-pin, A-coded, straight, 180°
- unshielded



| | |
|-------------------------------|---------------|
| Connection type | Screws |
| Ambient temperature min./max. | -40 ... 85 °C |
| Operational voltage | 48 V AC/DC |
| Protection class | IP67 |
| Weight | 0.01 kg |



Technical data

| Part No. | Max. current | Contact assignment | suitable cable-Ø min./max |
|------------|--------------|--------------------|---------------------------|
| R412021676 | 4 A | 3 | 3.5 / 5 mm |

Technical information

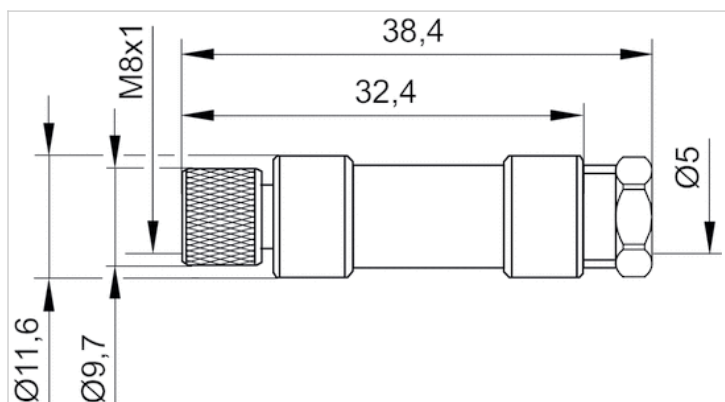
The specified protection class is only valid in assembled and tested state.

Technical information

| Material | |
|----------|-----------|
| Housing | Polyamide |

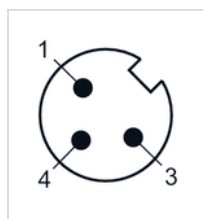
Dimensions

Dimensions



Pin assignments

Plug pin assignment



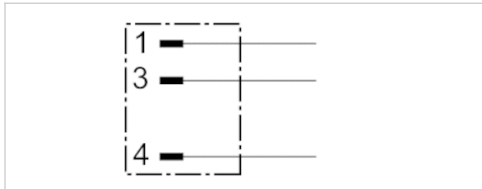
Round plug connector, Series CON-RD

- Plug, M8x1, 3-pin, A-coded, angled, 90°
- unshielded



| | |
|-------------------------------|---------------|
| Connection type | Screws |
| Ambient temperature min./max. | -25 ... 85 °C |
| Operational voltage | 48 V AC/DC |
| Protection class | IP67 |
| Weight | 0.01 kg |

The delivered product may vary from that in the illustration.



Technical data

| Part No. | Max. current | Contact assignment | suitable cable-Ø min./max |
|------------|--------------|--------------------|---------------------------|
| R412021677 | 4 A | 3 | 3.5 / 6 mm |

Technical information

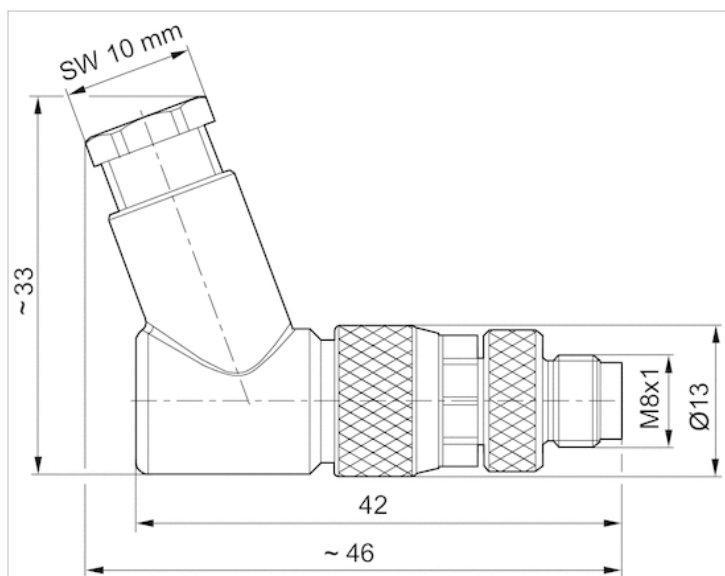
The specified protection class is only valid in assembled and tested state.

Technical information

| Material | |
|----------|-----------|
| Housing | Polyamide |

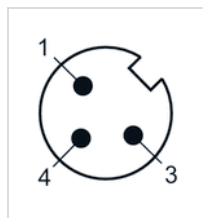
Dimensions

Dimensions



Pin assignments

Plug pin assignment

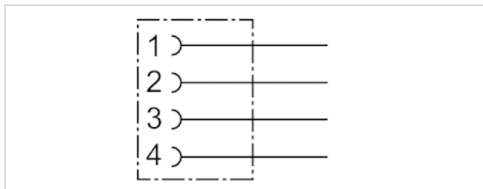


Round plug connector, Series CON-RD

- Socket, M12x1, 4-pin, A-coded, straight, 180°
- UL (Underwriters Laboratories)
- unshielded



| | |
|-------------------------------|---------------|
| Connection type | Screws |
| Ambient temperature min./max. | -40 ... 85 °C |
| Operational voltage | 48 V AC/DC |
| Protection class | IP67 |
| Weight | 0.015 kg |



Technical data

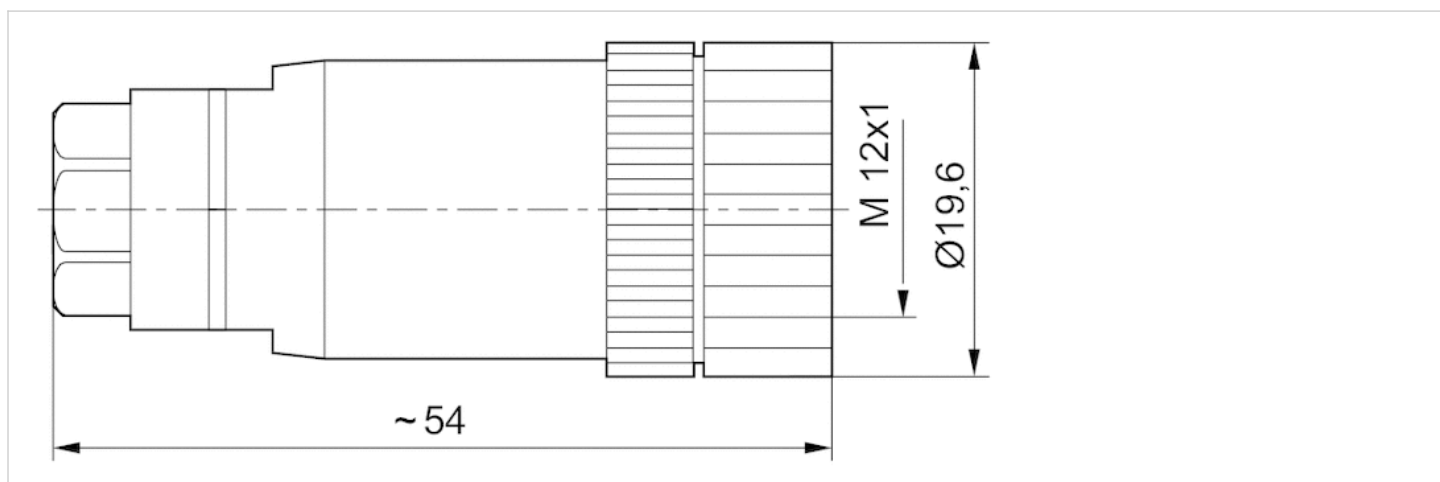
| Part No. | Max. current | suitable cable-Ø min./max |
|------------|--------------|---------------------------|
| 1834484177 | 4 A | 4 / 6 mm |

Technical information

| Material | |
|----------|-----------|
| Housing | Polyamide |

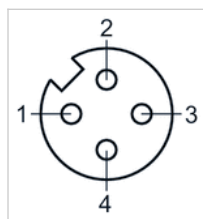
Dimensions

Dimensions



Pin assignments

Pin assignment, socket



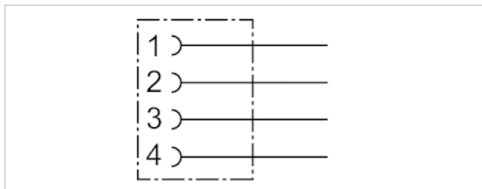
Round plug connector, Series CON-RD

- Socket, M12x1, 4-pin, A-coded, straight, 180°
- UL (Underwriters Laboratories)
- unshielded



| | |
|-------------------------------|---------------|
| Connection type | Screws |
| Ambient temperature min./max. | -25 ... 90 °C |
| Operational voltage | 48 V AC/DC |
| Protection class | IP67 |
| Weight | 0.029 kg |

The delivered product may vary from that in the illustration.



Technical data

| Part No. | Max. current | suitable cable-Ø min./max |
|------------|--------------|---------------------------|
| 8941054324 | 4 A | 4 mm |

Technical information

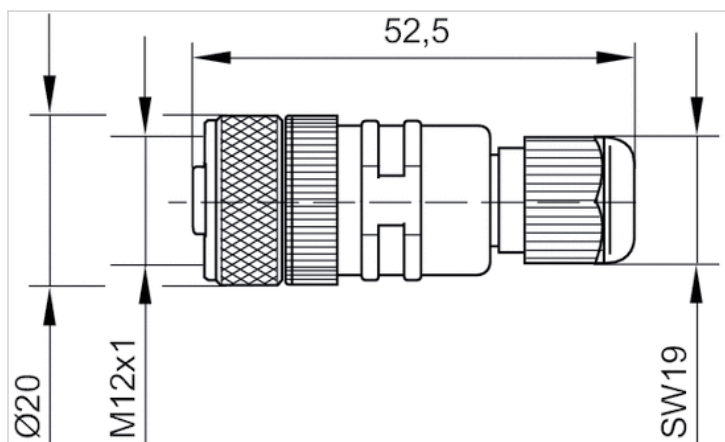
The specified protection class is only valid in assembled and tested state.

Technical information

| Material | |
|----------|---------------------------|
| Housing | Polybutyleneterephthalate |
| Seals | Fluorocarbon caoutchouc |

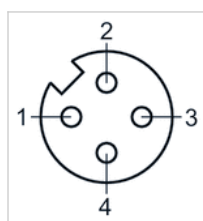
Dimensions

Dimensions



Pin assignments

Pin assignment, socket

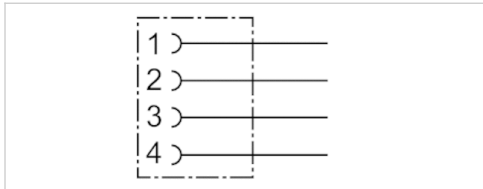


Round plug connector, Series CON-RD

- Socket, M12x1, 4-pin, A-coded, angled, 90°
- unshielded



| | |
|-------------------------------|---------------|
| Connection type | Screws |
| Ambient temperature min./max. | -25 ... 90 °C |
| Operational voltage | 48 V AC/DC |
| Protection class | IP67 |
| Weight | 0.027 kg |



Technical data

| Part No. | Max. current | suitable cable-Ø min./max |
|------------|--------------|---------------------------|
| 8941054424 | 4 A | 4 mm |

Technical information

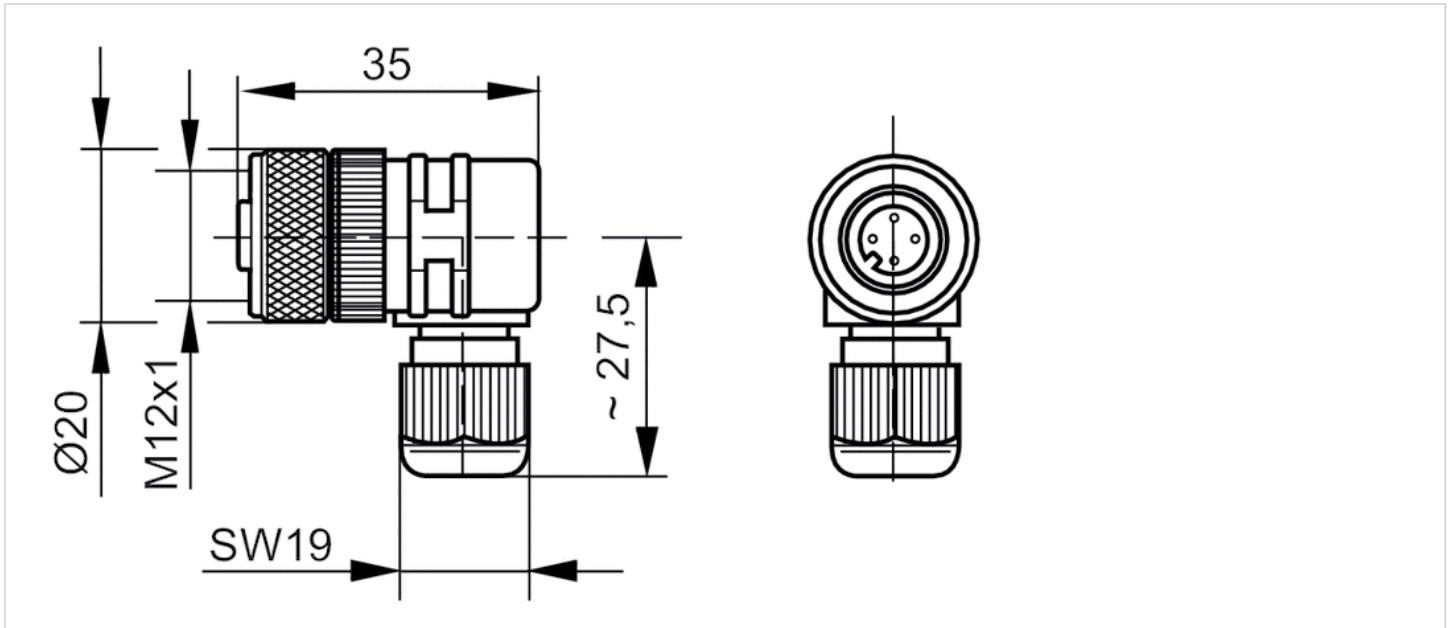
The specified protection class is only valid in assembled and tested state.

Technical information

| Material | |
|----------|---------------------------|
| Housing | Polybutyleneterephthalate |
| Seals | Fluorocarbon caoutchouc |

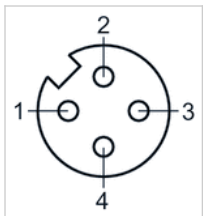
Dimensions

Dimensions



Pin assignments

Pin assignment, socket

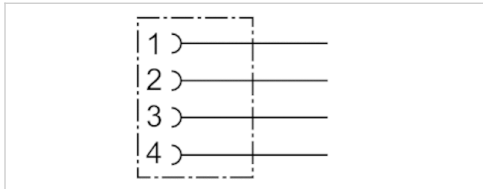


Round plug connector, Series CON-RD

- Socket, M12x1, 4-pin, A-coded, angled, 90°
- unshielded



| | |
|-------------------------------|---------------|
| Connection type | Screws |
| Ambient temperature min./max. | -40 ... 85 °C |
| Operational voltage | 48 V AC/DC |
| Protection class | IP67 |
| Weight | 0.016 kg |



Technical data

| Part No. | Max. current | suitable cable-Ø min./max |
|------------|--------------|---------------------------|
| 1834484178 | 4 A | 4 mm |

Technical information

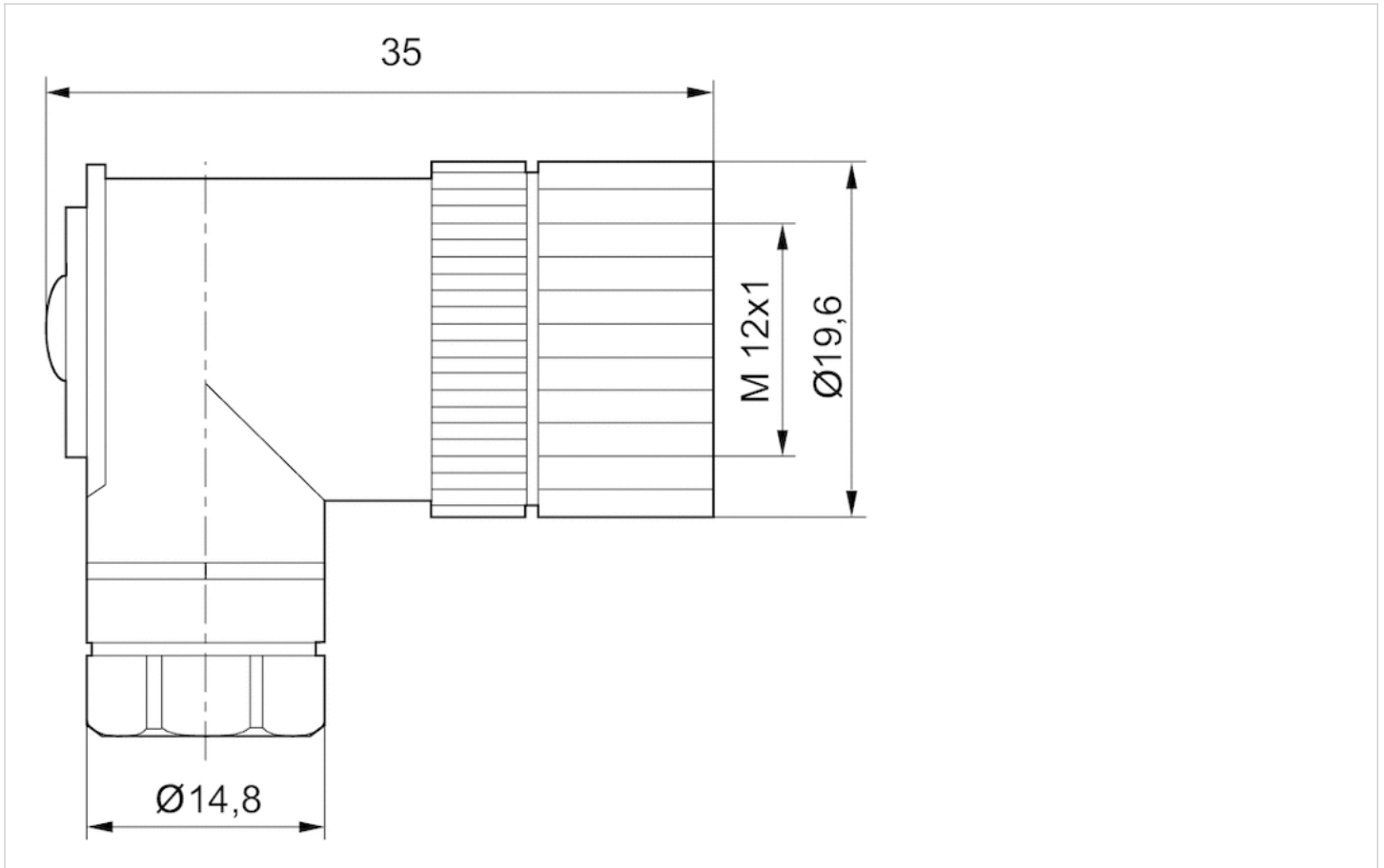
The specified protection class is only valid in assembled and tested state.

Technical information

| Material | |
|----------|-----------|
| Housing | Polyamide |

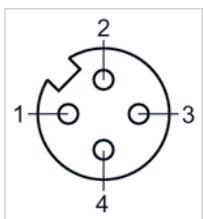
Dimensions

Dimensions



Pin assignments

Pin assignment, socket

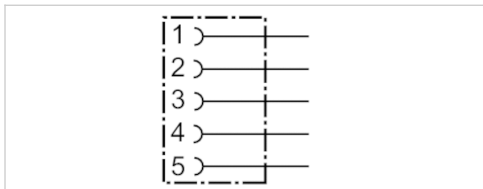


Round plug connector, Series CON-RD

- Socket, M12x1, 5-pin, A-coded, straight, 180°
- for DeviceNet
- unshielded



| | |
|-------------------------------|---------------|
| Connection type | Screws |
| Ambient temperature min./max. | -40 ... 85 °C |
| Operational voltage | 48 V AC/DC |
| Protection class | IP67 |
| Weight | 0.016 kg |



Technical data

| Part No. | Max. current | suitable cable-Ø min./max |
|------------|--------------|---------------------------|
| 4407230020 | 4 A | 4 mm |

Technical information

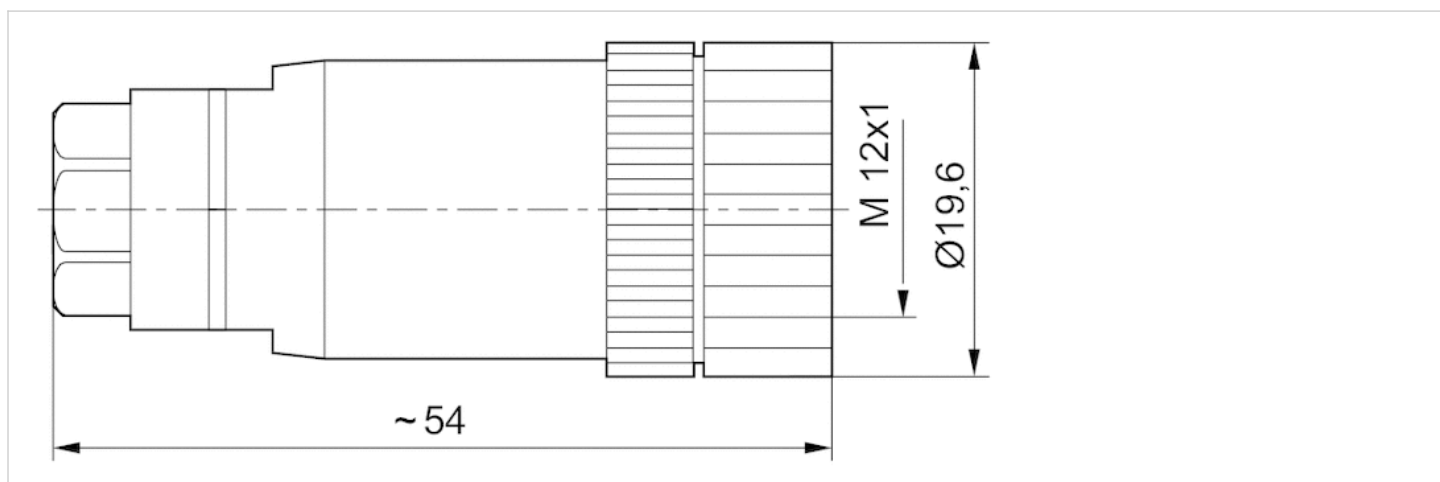
The specified protection class is only valid in assembled and tested state.

Technical information

| Material | |
|----------|-----------|
| Housing | Polyamide |

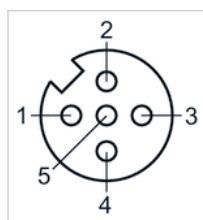
Dimensions

Dimensions



Pin assignments

Pin assignment, socket

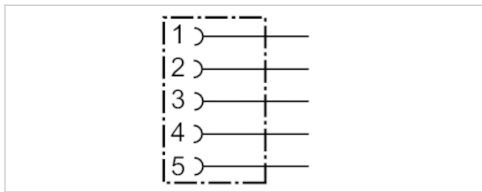


Round plug connector, Series CON-RD

- Socket, M12x1, 5-pin, A-coded, straight, 180°
- for CANopen, DeviceNet
- UL (Underwriters Laboratories)
- shielded



| | |
|-------------------------------|---------------|
| Connection type | Screws |
| Ambient temperature min./max. | -40 ... 85 °C |
| Operational voltage | 48 V AC/DC |
| Protection class | IP67 |
| Weight | 0.051 kg |



Technical data

| Part No. | Max. current | suitable cable-Ø min./max |
|------------|--------------|---------------------------|
| 8942051602 | 4 A | 6 mm |

Technical information

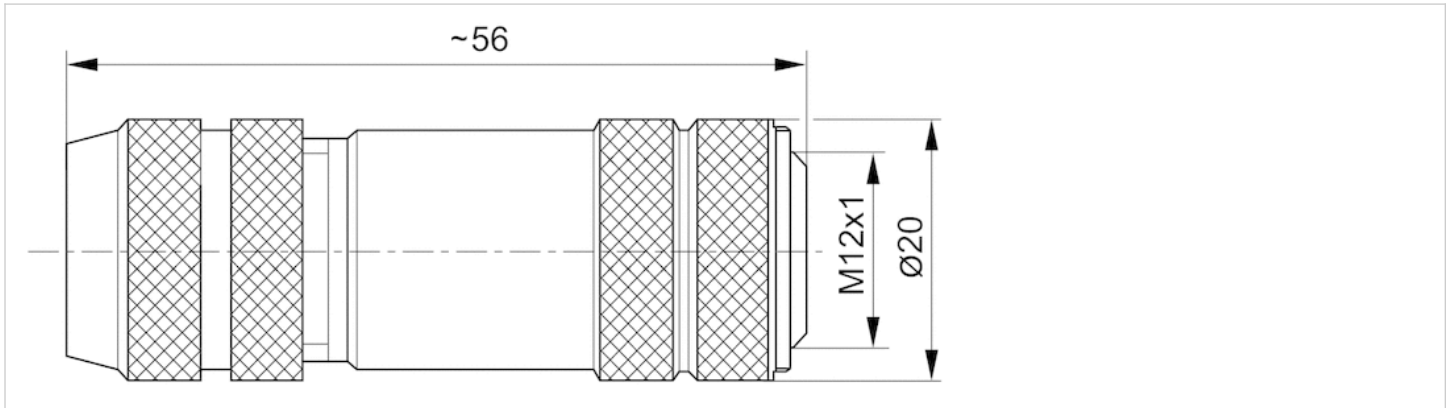
The specified protection class is only valid in assembled and tested state.

Technical information

| Material | |
|----------|----------------------|
| Housing | Brass, nickel-plated |

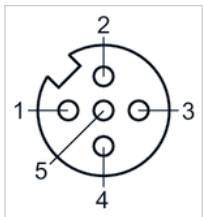
Dimensions

Dimensions



Pin assignments

Pin assignment, socket

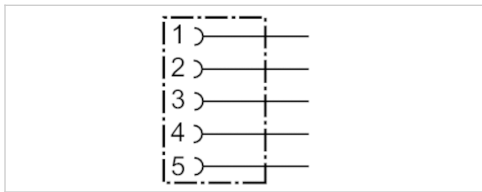


Round plug connector, Series CON-RD

- Socket, M12x1, 5-pin, B-coded, straight, 180°
- for PROFIBUS DP
- UL (Underwriters Laboratories)
- shielded



| | |
|-------------------------------|---------------|
| Connection type | Screws |
| Ambient temperature min./max. | -40 ... 85 °C |
| Operational voltage | 48 V AC/DC |
| Protection class | IP67 |
| Weight | 0.06 kg |



Technical data

| Part No. | Max. current | suitable cable-Ø min./max |
|------------|--------------|---------------------------|
| 8941054044 | 4 A | 6 / 8 mm |

Technical information

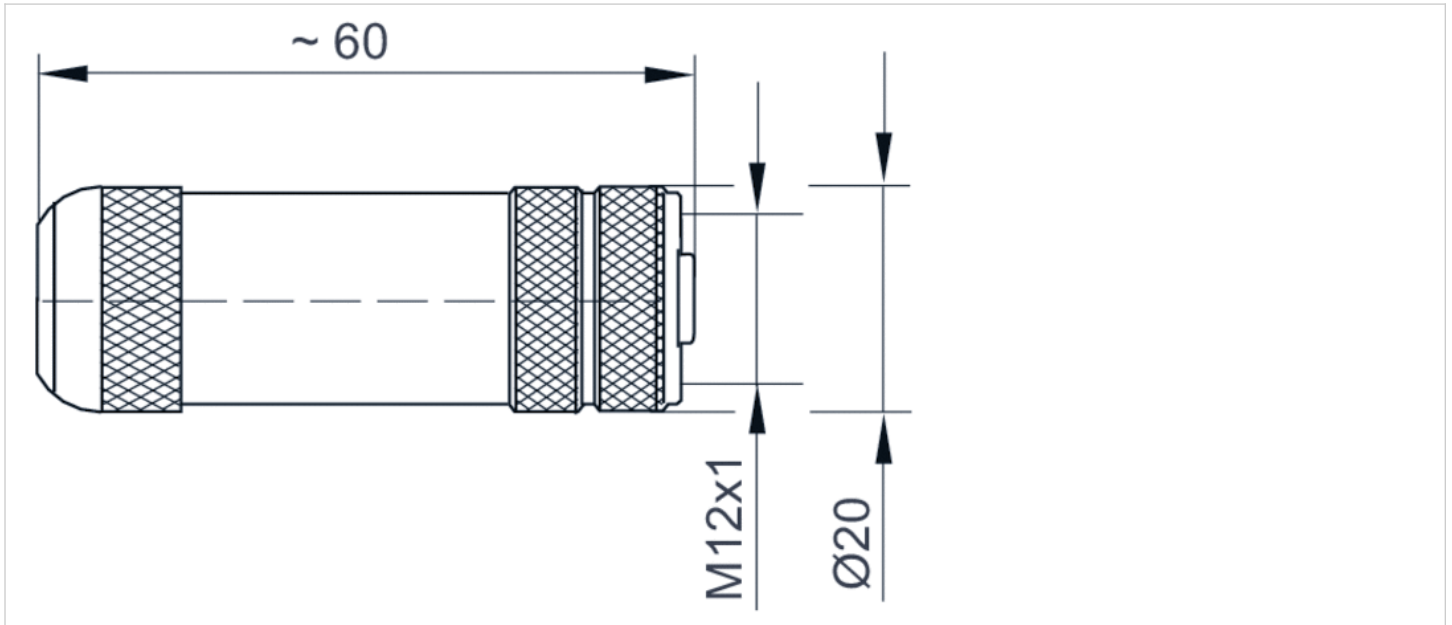
The specified protection class is only valid in assembled and tested state.

Technical information

| Material | |
|----------|-------------------------|
| Housing | Brass, nickel-plated |
| Seals | Fluorocarbon caoutchouc |

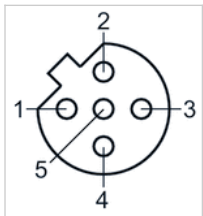
Dimensions

Dimensions



Pin assignments

Pin assignment, socket

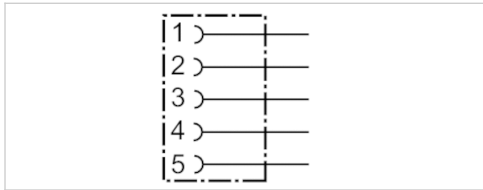


Round plug connector, Series CON-RD

- Socket, M12x1, 5-pin, A-coded, angled, 90°
- for CANopen
- UL (Underwriters Laboratories)
- shielded



| | |
|-------------------------------|---------------|
| Connection type | Screws |
| Ambient temperature min./max. | -40 ... 85 °C |
| Operational voltage | 48 V AC/DC |
| Protection class | IP67 |
| Weight | 0.072 kg |



Technical data

| Part No. | Max. current | suitable cable-Ø min./max |
|------------|--------------|---------------------------|
| 1824484029 | 4 A | 6 / 8 mm |

Technical information

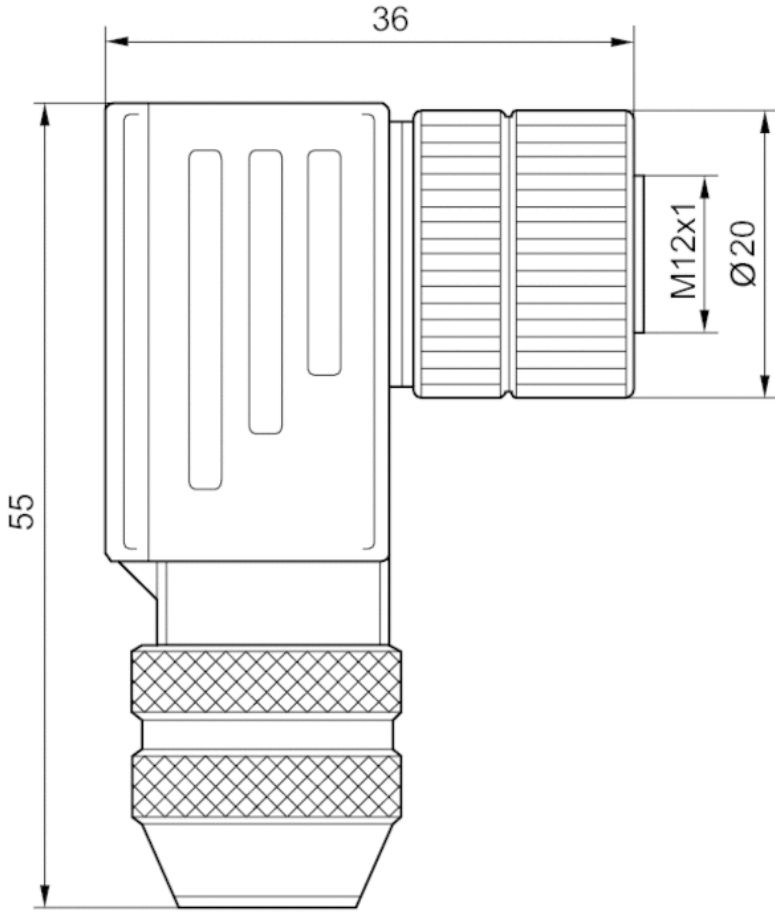
The specified protection class is only valid in assembled and tested state.

Technical information

| Material | |
|----------|---------------|
| Housing | Die cast zinc |

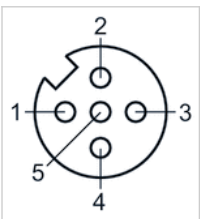
Dimensions

Dimensions



Pin assignments

Pin assignment, socket

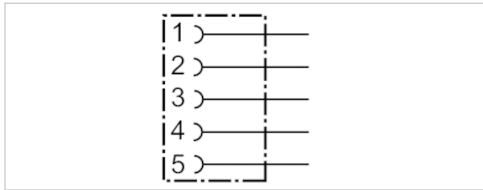


Round plug connector, Series CON-RD

- Socket, M12x1, 5-pin, B-coded, angled, 90°
- for PROFIBUS DP
- UL (Underwriters Laboratories)
- shielded



| | |
|-------------------------------|---------------|
| Connection type | Screws |
| Ambient temperature min./max. | -40 ... 85 °C |
| Operational voltage | 48 V AC/DC |
| Protection class | IP67 |
| Weight | 0.071 kg |



Technical data

| Part No. | Max. current | suitable cable-Ø min./max |
|------------|--------------|---------------------------|
| 1824484027 | 4 A | 6 / 8 mm |

Technical information

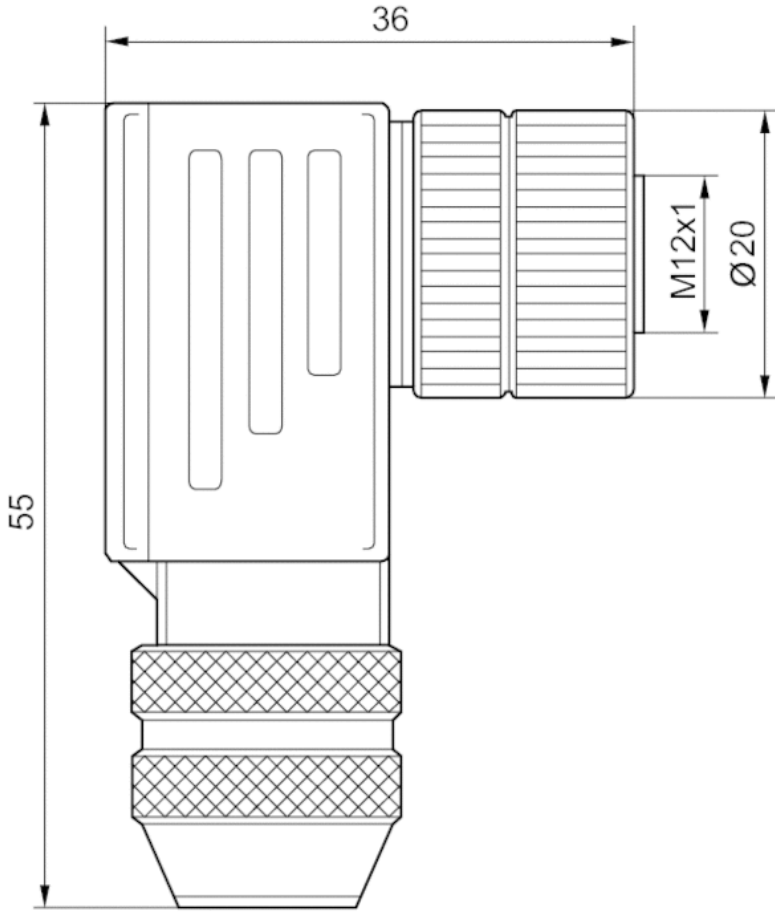
The specified protection class is only valid in assembled and tested state.

Technical information

| Material | |
|----------|---------------|
| Housing | Die cast zinc |

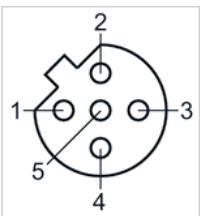
Dimensions

Dimensions



Pin assignments

Pin assignment, socket



Round plug connector, Series CON-RD

- Plug, M12x1, 4-pin, A-coded, straight, 180°
- UL (Underwriters Laboratories)
- unshielded



| | |
|-------------------------------|---------------|
| Connection type | Screws |
| Ambient temperature min./max. | -40 ... 85 °C |
| Operational voltage | 48 V AC/DC |
| Protection class | IP67 |
| Weight | 0.016 kg |



Technical data

| Part No. | Max. current | suitable cable-Ø min./max |
|------------|--------------|---------------------------|
| 1834484222 | 4 A | 4 / 6 mm |

Technical information

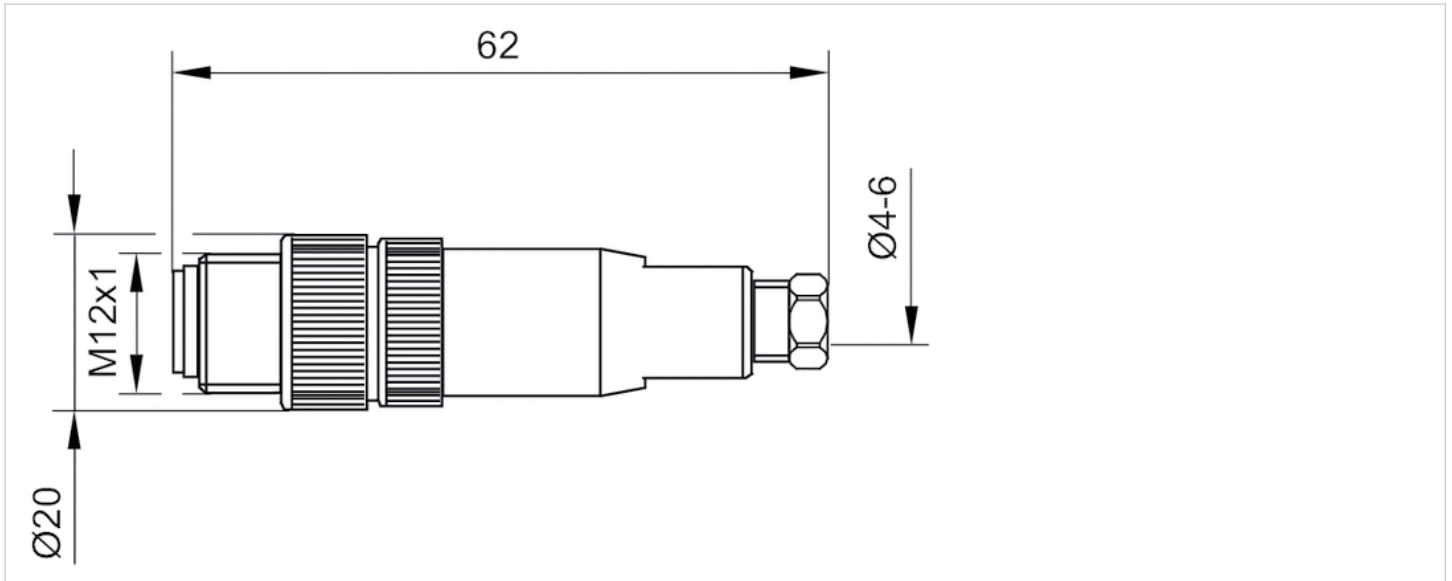
The specified protection class is only valid in assembled and tested state.

Technical information

| Material | |
|----------|-----------|
| Housing | Polyamide |

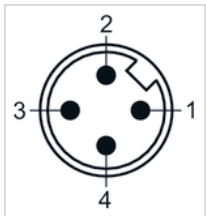
Dimensions

Dimensions



Pin assignments

Plug pin assignment



Round plug connector, Series CON-RD

- Plug, M12x1, 4-pin, D-coded, straight, 180°
- for Ethernet, EtherNET/IP, EtherCAT, POWERLINK, sercos III
- shielded



| | |
|-------------------------------|----------------|
| Connection type | Thread cutting |
| Ambient temperature min./max. | -40 ... 85 °C |
| Operational voltage | 48 V AC/DC |
| Protection class | IP67 |
| Weight | 0.41 kg |



Technical data

| Part No. | Max. current | suitable cable-Ø min./max |
|------------|--------------|---------------------------|
| R419801401 | 4 A | 6 / 8 mm |

Technical information

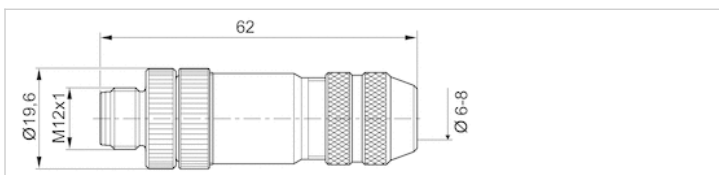
The specified protection class is only valid in assembled and tested state.

Technical information

| Material | |
|----------|----------------------|
| Housing | Brass, nickel-plated |

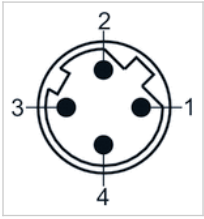
Dimensions

Dimensions



Pin assignments

Plug pin assignment



Round plug connector, Series CON-RD

- Plug, M12x1, 4-pin, A-coded, angled, 90° Plug, M12x1, 4-pin, A-coded, straight, 180°
- UL (Underwriters Laboratories)
- unshielded



| | |
|-------------------------------|---|
| Connection type | Screws |
| Ambient temperature min./max. | -40 ... 85 °C |
| Operational voltage | 48 V AC/DC |
| Protection class | IP67 |
| Weight | See table below |
| | The delivered product may vary from that in the illustration. |



Technical data

| Part No. | Electrical connection | Max. current | suitable cable-Ø min./max | Weight |
|------------|--|--------------|---------------------------|----------|
| | 1 | | | |
| 1834484223 | Plug M12x1 4-pin A-coded angled 90° | 4 A | 4 / 6 mm | 0.02 kg |
| 1834484246 | Plug M12x1 4-pin A-coded straight 180° | 4 A | 2.1 / 3 mm | 0.024 kg |

| Part No. | Fig. |
|------------|--------|
| 1834484223 | Fig. 1 |
| 1834484246 | Fig. 2 |

For the duo plug, the cable diameter to be used varies between 2.1 ... 3.0 mm and 4.0 ... 5.0 mm depending on the seal used.

Technical information

The specified protection class is only valid in assembled and tested state.
 Included: 2 seals for 2 cables each with Ø 2.1 mm ... 3.0 mm and Ø 4.0 mm ... 5.0 mm .

Technical information

| Material | |
|----------|-----------|
| Housing | Polyamide |

Dimensions

Fig. 1

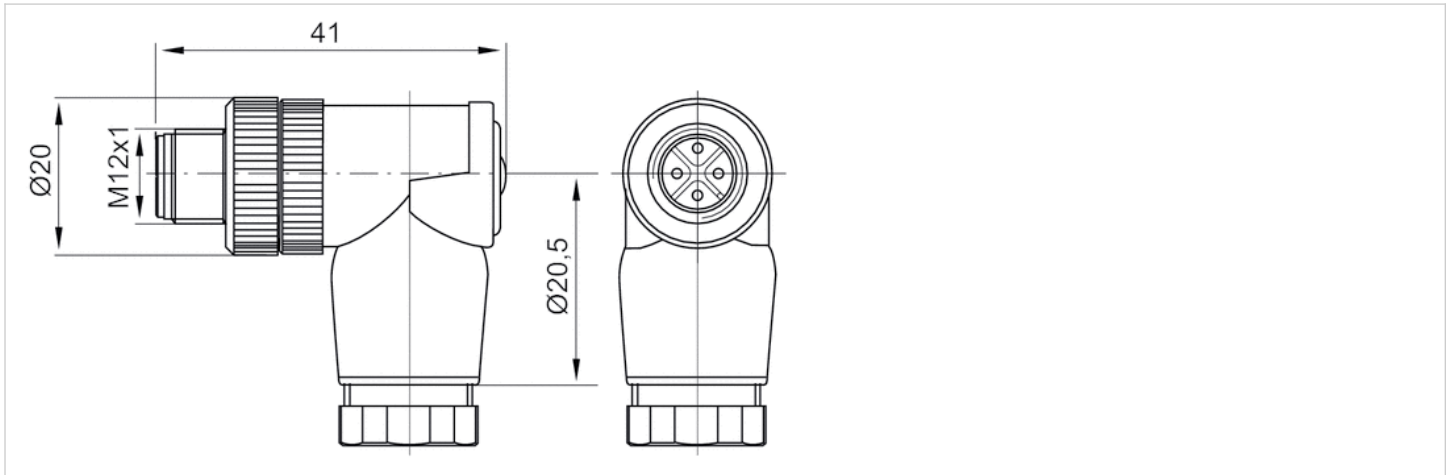
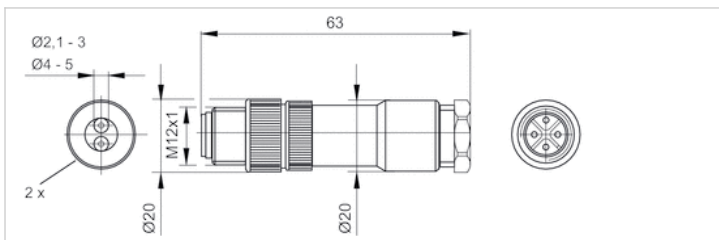


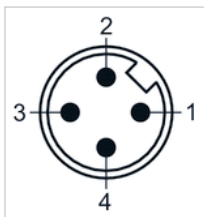
Fig. 2



duo plug

Pin assignments

Plug pin assignment

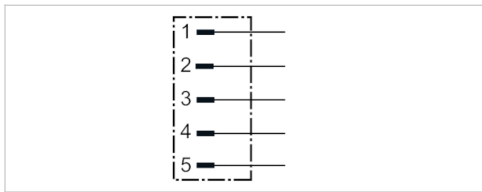


Round plug connector, Series CON-RD

- Plug, M12x1, 5-pin, A-coded, straight, 180°
- for CANopen, DeviceNet
- UL (Underwriters Laboratories)
- shielded



| | |
|-------------------------------|---------------|
| Connection type | Screws |
| Ambient temperature min./max. | -40 ... 85 °C |
| Operational voltage | 48 V AC/DC |
| Protection class | IP67 |
| Weight | 0.48 kg |



Technical data

| Part No. | Max. current | suitable cable-Ø min./max |
|------------|--------------|---------------------------|
| 8942051612 | 4 A | 6 / 8 mm |

Technical information

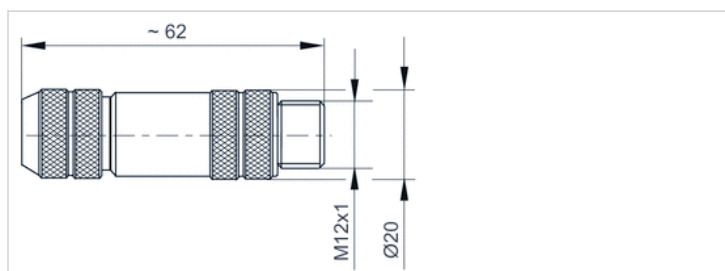
The specified protection class is only valid in assembled and tested state.

Technical information

| Material | |
|----------|----------------------|
| Housing | Brass, nickel-plated |

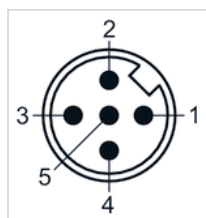
Dimensions

Dimensions



Pin assignments

Plug pin assignment

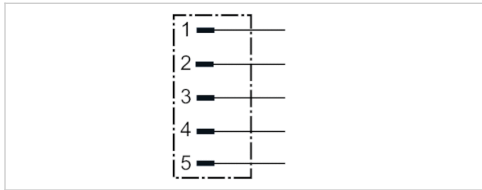


Round plug connector, Series CON-RD

- Plug, M12x1, 5-pin, B-coded, straight, 180°
- for PROFIBUS DP
- UL (Underwriters Laboratories)
- shielded



| | |
|-------------------------------|---------------|
| Connection type | Screws |
| Ambient temperature min./max. | -25 ... 85 °C |
| Operational voltage | 48 V AC/DC |
| Protection class | IP67 |
| Weight | 0.06 kg |



Technical data

| Part No. | Max. current | suitable cable-Ø min./max |
|------------|--------------|---------------------------|
| 8941054054 | 4 A | 4 / 9 mm |

Technical information

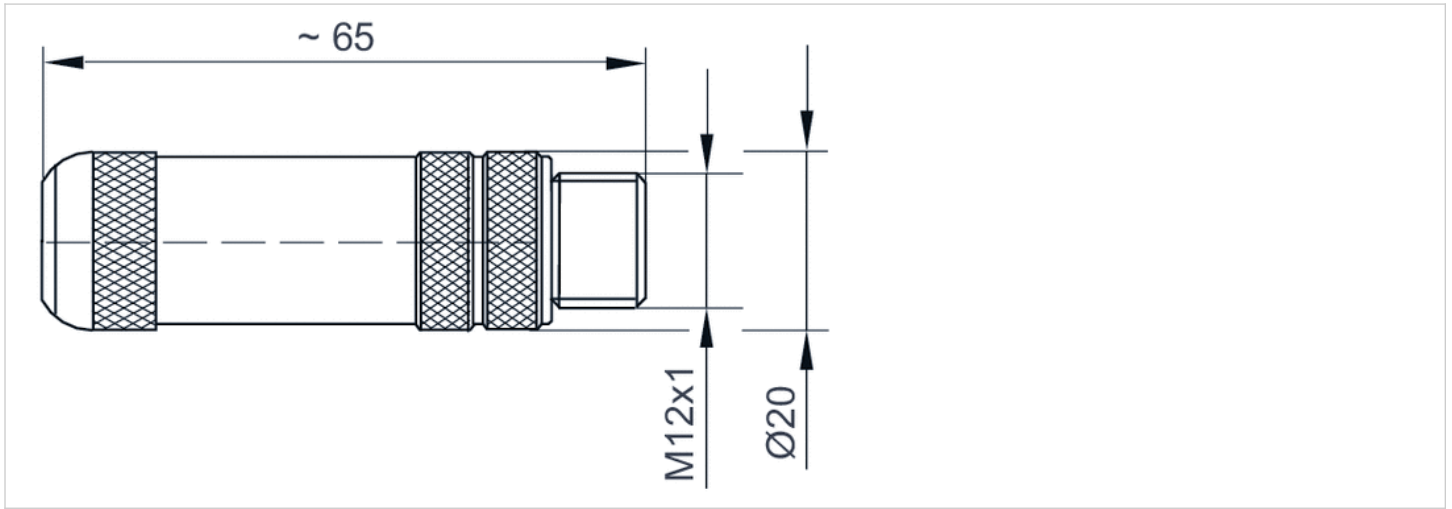
The specified protection class is only valid in assembled and tested state.

Technical information

| Material | |
|----------|-------------------------|
| Housing | Brass, nickel-plated |
| Seals | Fluorocarbon caoutchouc |

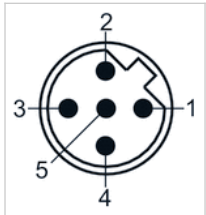
Dimensions

Dimensions



Pin assignments

Plug pin assignment

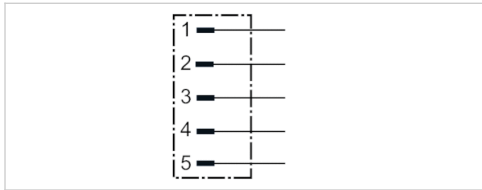


Round plug connector, Series CON-RD

- Plug, M12x1, 5-pin, A-coded, angled, 90°
- for CANopen
- UL (Underwriters Laboratories)
- shielded



| | |
|-------------------------------|---------------|
| Connection type | Screws |
| Ambient temperature min./max. | -40 ... 85 °C |
| Operational voltage | 48 V AC/DC |
| Protection class | IP67 |
| Weight | 0.068 kg |



Technical data

| Part No. | Max. current | suitable cable-Ø min./max |
|------------|--------------|---------------------------|
| 1824484028 | 4 A | 6 / 8 mm |

Technical information

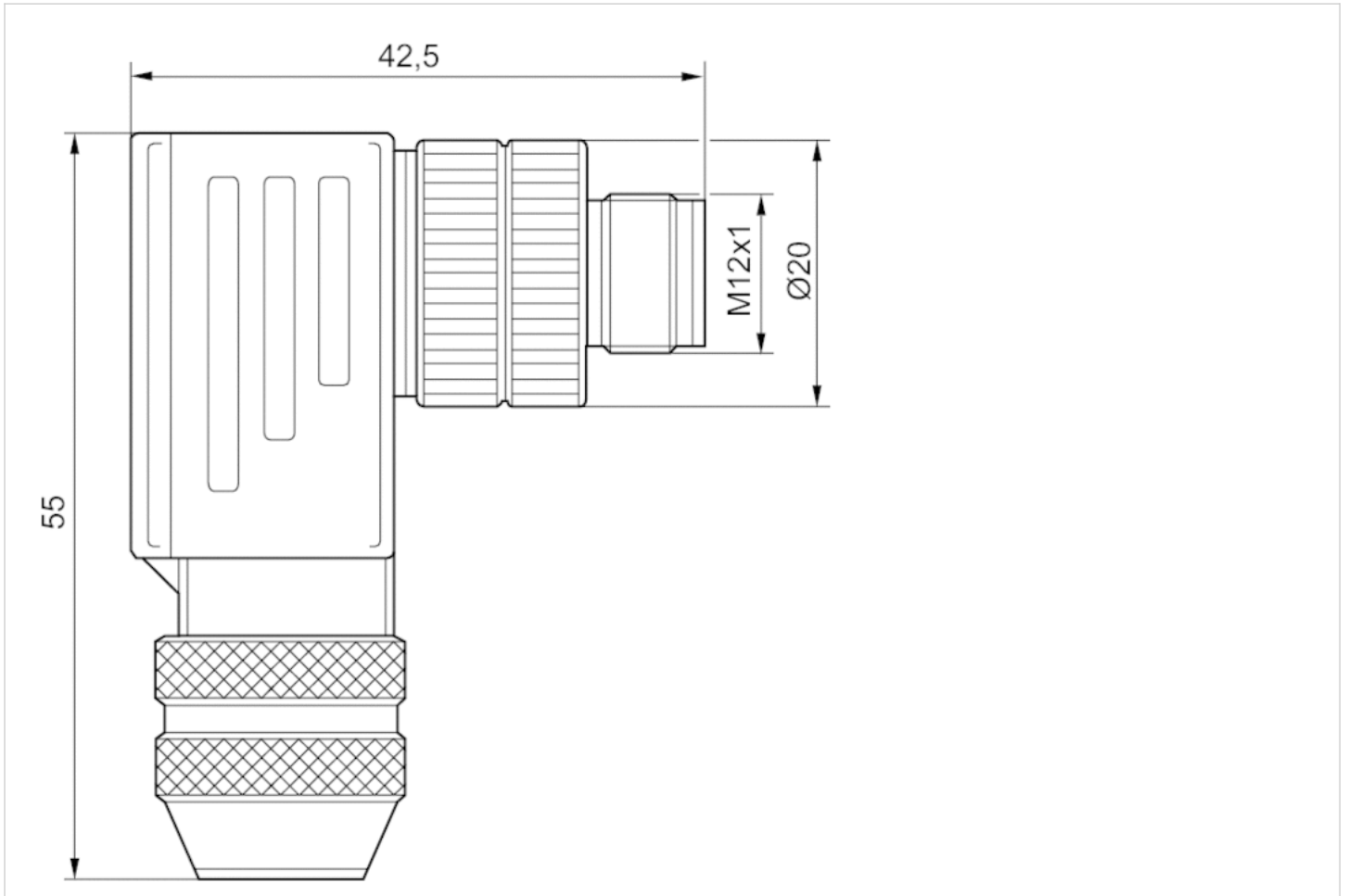
The specified protection class is only valid in assembled and tested state.

Technical information

| Material | |
|----------|----------------------|
| Housing | Brass, nickel-plated |

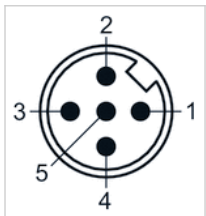
Dimensions

Dimensions



Pin assignments

Plug pin assignment



Round plug connector, Series CON-RD

- Plug, M12x1, 5-pin, B-coded, angled, 90°
- for PROFIBUS DP
- shielded



| | |
|-------------------------------|---------------|
| Connection type | Screws |
| Ambient temperature min./max. | -40 ... 85 °C |
| Operational voltage | 48 V AC/DC |
| Protection class | IP67 |
| Weight | 0.69 kg |



Technical data

| Part No. | Max. current | suitable cable-Ø min./max |
|------------|--------------|---------------------------|
| 1824484026 | 4 A | 6 / 8 mm |

Technical information

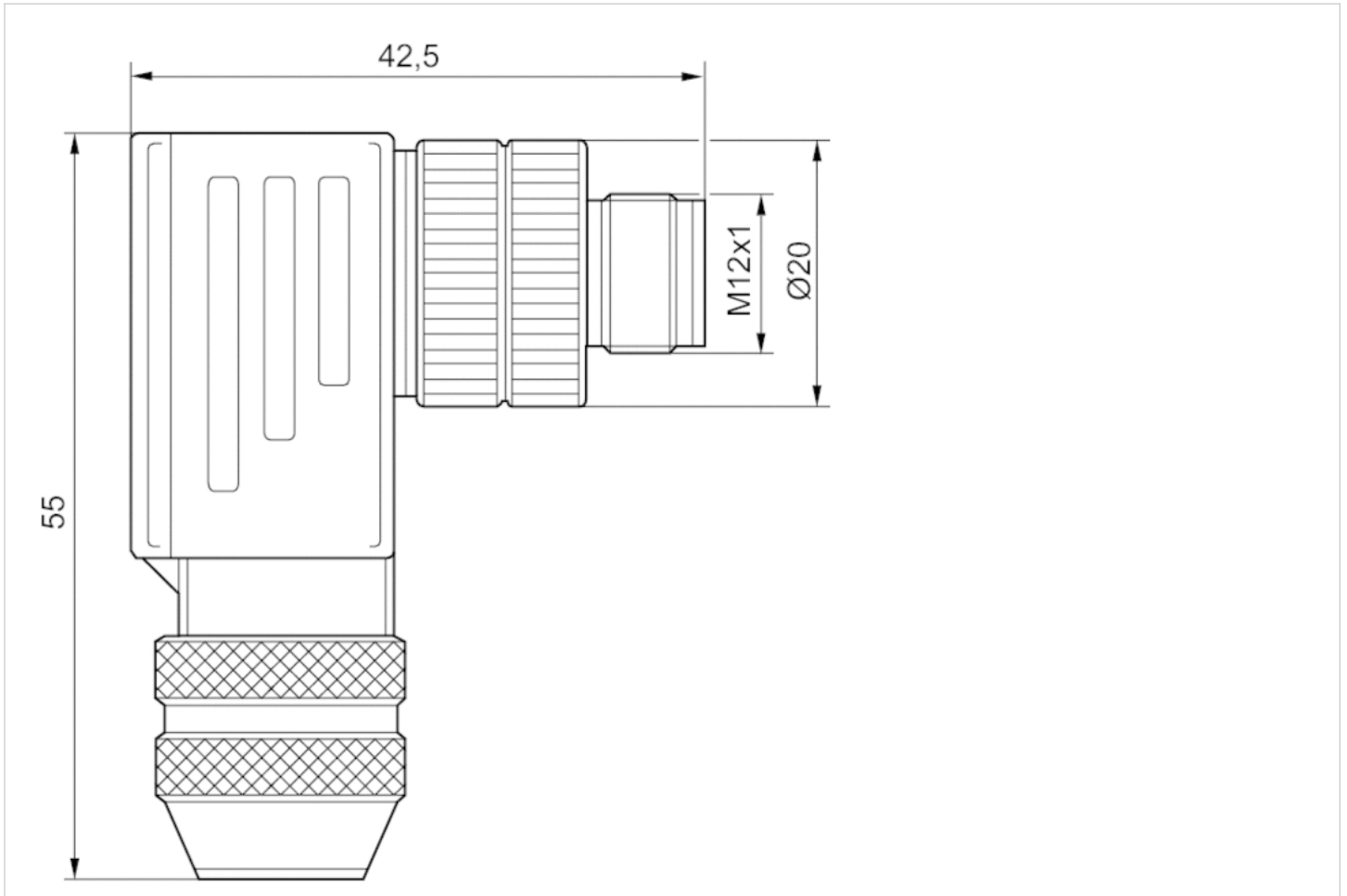
The specified protection class is only valid in assembled and tested state.

Technical information

| Material | |
|----------|---------------|
| Housing | Die cast zinc |

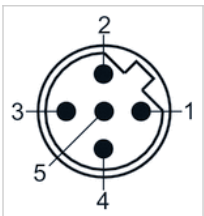
Dimensions

Dimensions



Pin assignments

Plug pin assignment

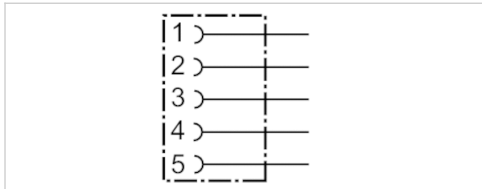


Round plug connector, Series CON-RD

- Socket, 7/8"-16UNF, 5-pin, straight, 180°
- unshielded



| | |
|----------------------------------|---------------|
| Connection type | Screws |
| Ambient temperature min./max. | -25 ... 85 °C |
| Operational voltage | 48 V AC/DC |
| Protection class | IP67 |
| Mounting screw tightening torque | 0.8 Nm |
| Weight | 0.054 kg |



Technical data

| Part No. | Max. current | suitable cable-Ø min./max |
|------------|--------------|---------------------------|
| R412024840 | 9 A | 6 / 8 mm |

Technical information

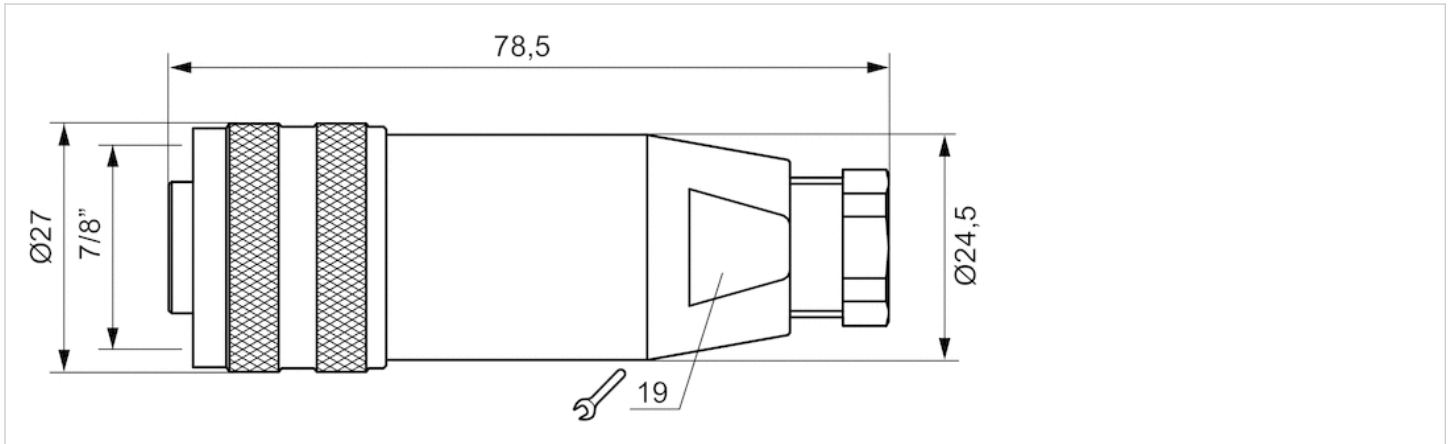
The specified protection class is only valid in assembled and tested state.

Technical information

| Material | |
|----------|---------------------------|
| Housing | Polybutyleneterephthalate |

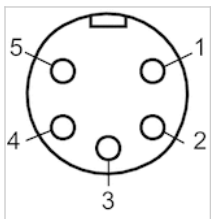
Dimensions

Dimensions



Pin assignments

Pin assignment



Round plug connector, Series CON-RD

- Plug, 7/8"-16UNF, 5-pin, straight, 180°
- unshielded



| | |
|----------------------------------|---------------|
| Connection type | Screws |
| Ambient temperature min./max. | -25 ... 85 °C |
| Operational voltage | 48 V AC/DC |
| Protection class | IP67 |
| Mounting screw tightening torque | 0.8 Nm |
| Weight | 0.047 kg |



Technical data

| Part No. | Max. current | suitable cable-Ø min./max |
|------------|--------------|---------------------------|
| R412024839 | 9 A | 6 / 8 mm |

Technical information

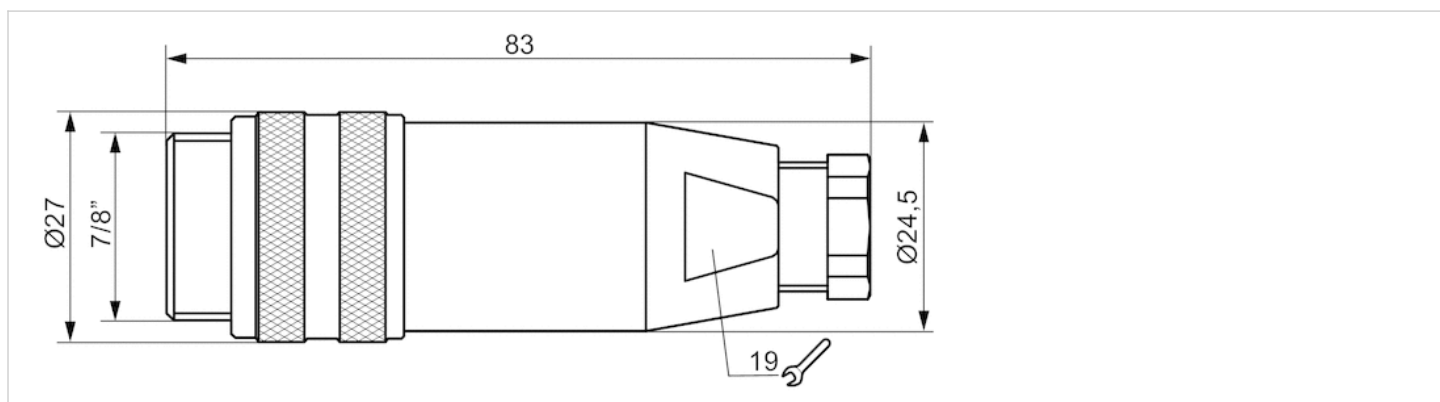
The specified protection class is only valid in assembled and tested state.

Technical information

| Material | |
|----------|---------------------------|
| Housing | Polybutyleneterephthalate |

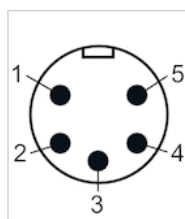
Dimensions

Dimensions



Pin assignments

Plug pin assignment



Data final plug, Series CON-RD

- Plug, M12x1, 4-pin, B-coded, straight, 180°
- for PROFIBUS DP



| | |
|-------------------------------|---------------|
| Ambient temperature min./max. | -25 ... 80 °C |
| Protection class | IP67 |
| Weight | 0.013 kg |



Technical data

| Part No. |
|------------|
| 8941054064 |

Technical information

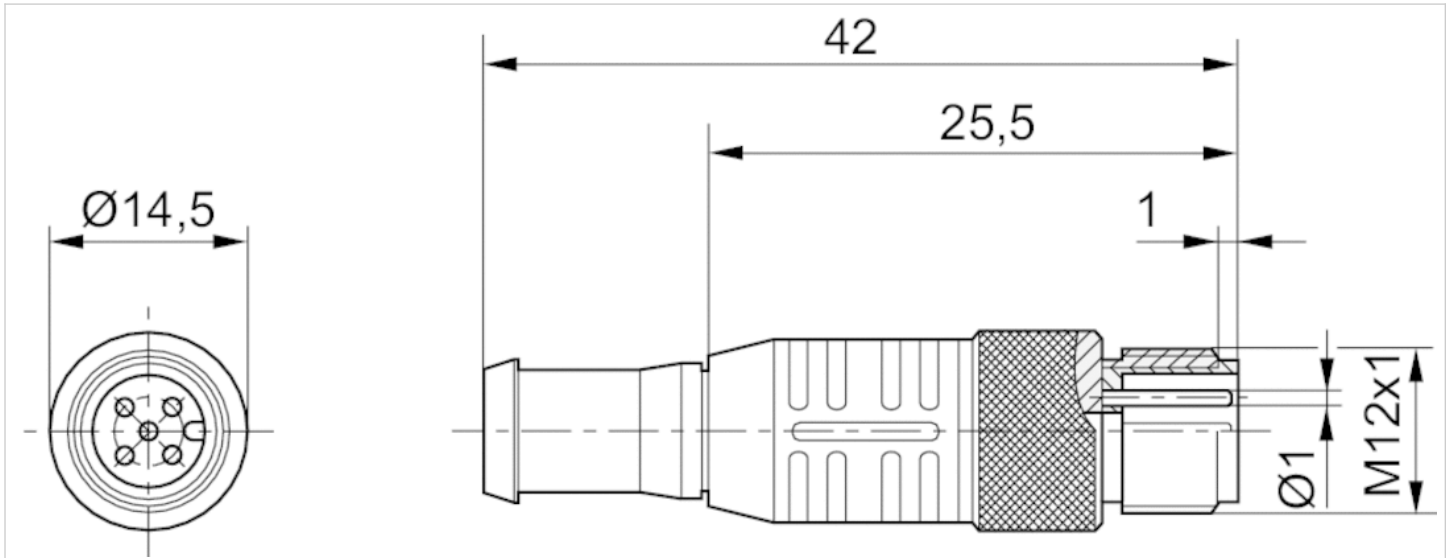
The specified protection class is only valid in assembled and tested state.
 PROFIBUS DP bus termination plug

Technical information

| Material | |
|----------|-------------------------|
| Housing | Thermoplastic elastomer |

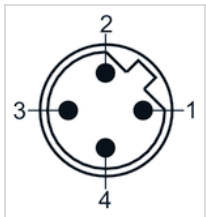
Dimensions

Dimensions



Pin assignments

Plug pin assignment



Data final plug, Series CON-RD

- Plug, M12x1, 5-pin, A-coded, straight, 180°
- for CANopen, DeviceNet



| | |
|-------------------------------|-------------|
| Ambient temperature min./max. | 0 ... 60 °C |
| Protection class | IP67 |
| Weight | 0.011 kg |



Technical data

| |
|------------|
| Part No. |
| 8941054264 |

Technical information

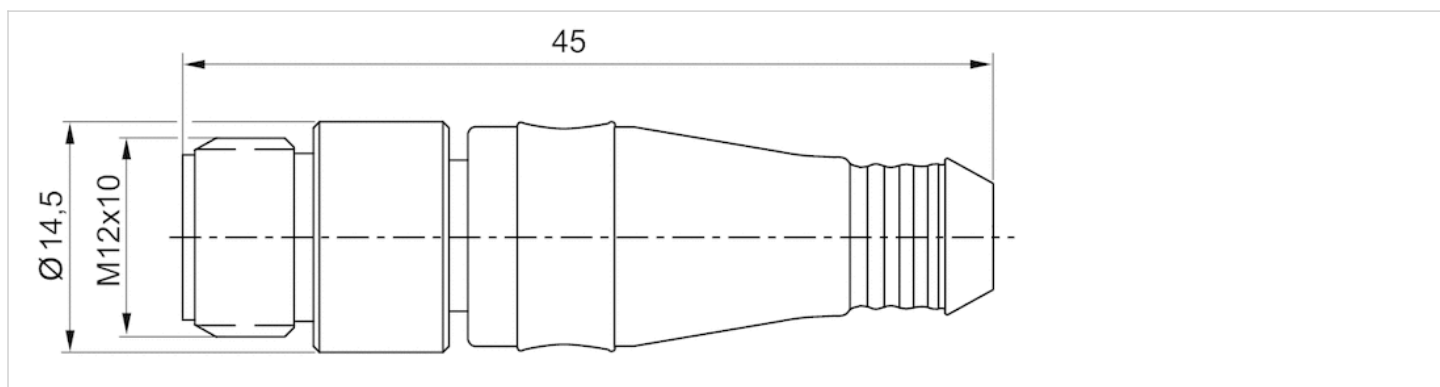
The specified protection class is only valid in assembled and tested state.

Technical information

| | |
|----------|-------------------------|
| Material | |
| Housing | Thermoplastic elastomer |

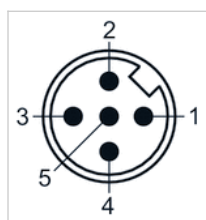
Dimensions

Dimensions



Pin assignments

Plug pin assignment

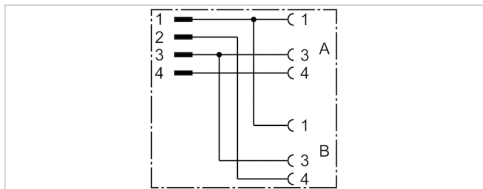


Y-Plug connector, series CON-AP

- Plug, M12x1, 4-pin, A-coded, straight, 180°
- Socket, M8x1, 3-pin, A-coded, straight, 180°
- unshielded



| | |
|-------------------------------|---|
| Ambient temperature min./max. | -25 ... 90 °C |
| Operational voltage | 48 V AC/DC |
| Protection class | IP67 |
| Weight | 0.02 kg |
| | The delivered product may vary from that in the illustration. |



Technical data

| Part No. | Max. current |
|------------|--------------|
| 8941002382 | 4 A |

Technical information

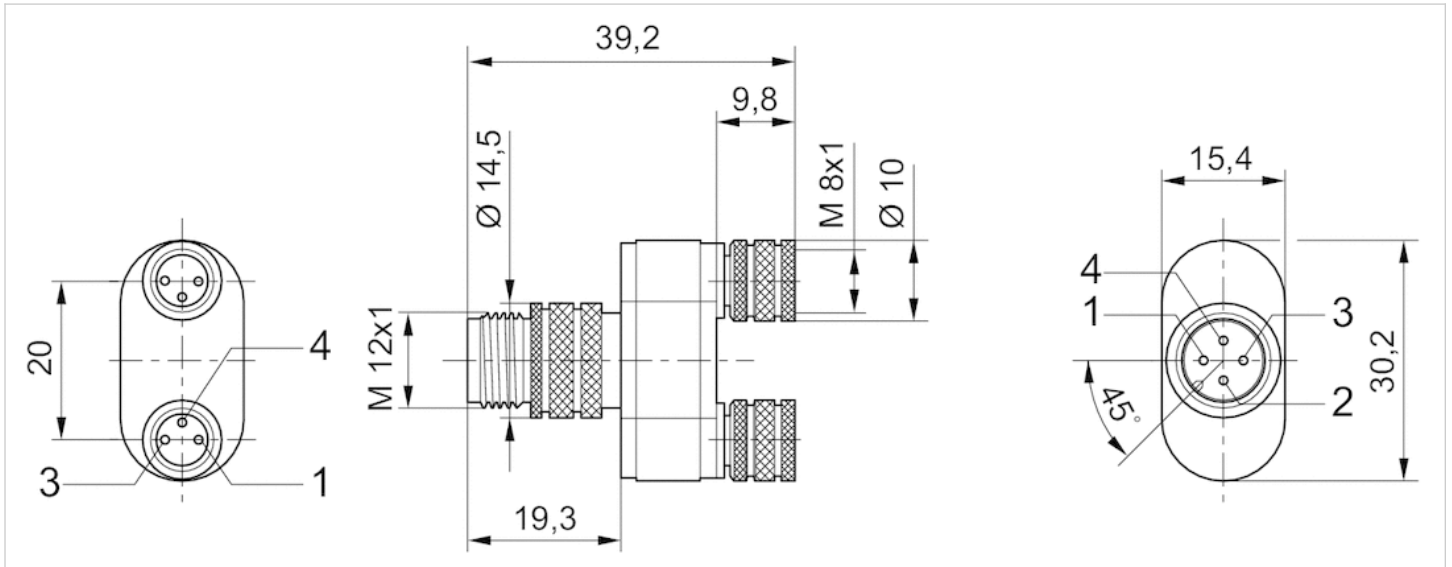
The specified protection class is only valid in assembled and tested state.

Technical information

| Material | |
|----------|------------------|
| Housing | Polyurethane |
| Seals | Fluorocaoutchouc |

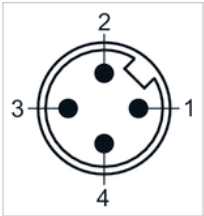
Dimensions

Dimensions

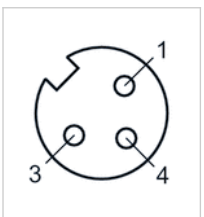


Pin assignments

Plug pin assignment



Pin assignment, socket

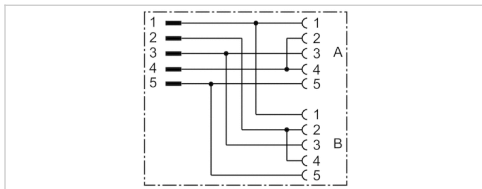


Y-Plug connector, series CON-AP

- Plug, M12x1, 5-pin, A-coded, straight, 180°
- Socket, M12x1, 5-pin, A-coded, straight, 180°
- unshielded



| | |
|-------------------------------|---|
| Ambient temperature min./max. | -25 ... 90 °C |
| Operational voltage | 48 V AC/DC |
| Protection class | IP67 |
| Weight | 0.029 kg |
| | The delivered product may vary from that in the illustration. |



Technical data

| Part No. | Max. current |
|------------|--------------|
| 8941002392 | 4 A |

Technical information

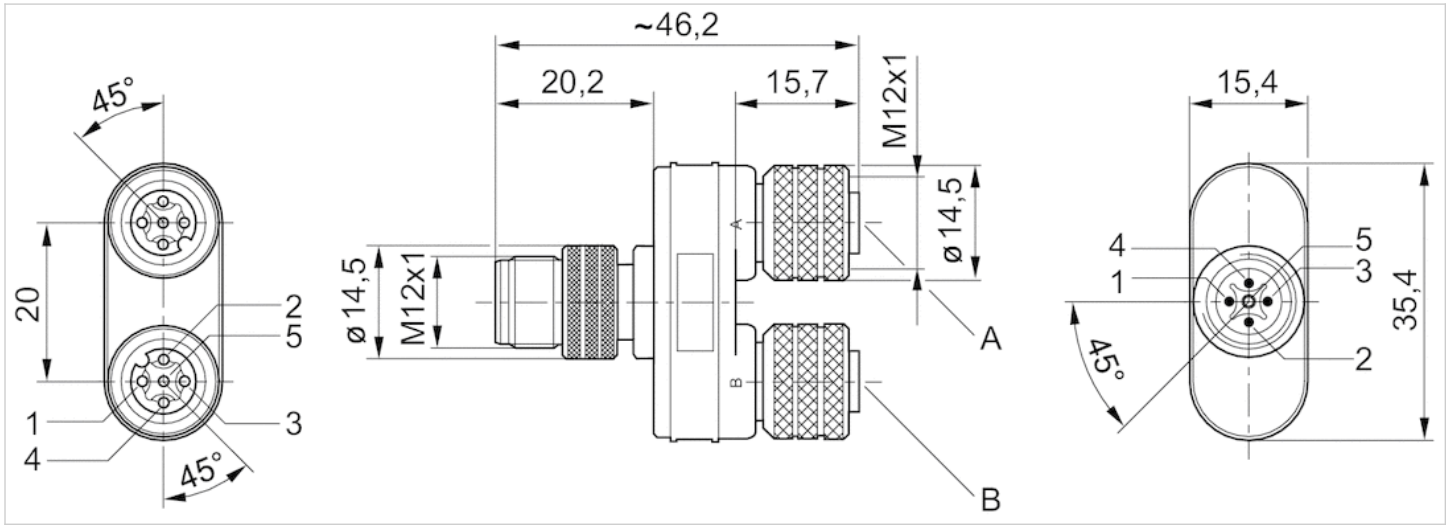
The specified protection class is only valid in assembled and tested state.

Technical information

| Material | |
|----------|------------------|
| Housing | Polyurethane |
| Seals | Fluorocaoutchouc |

Dimensions

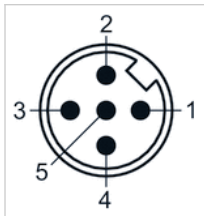
Dimensions



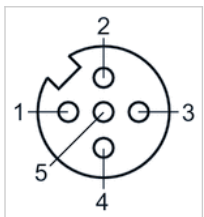
Sockets: Pin 2 and 4 bridged.

Pin assignments

Plug pin assignment



Pin assignment, socket

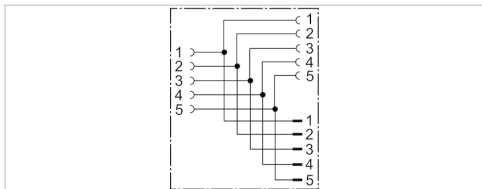


Y-connector, Series CN2

- Plug, M12x1, 5-pin, A-coded, straight, 180°
- Socket, M12x1, 5-pin, A-coded, straight, 180°
- shielded



| | |
|-------------------------------|---------------|
| Ambient temperature min./max. | -25 ... 85 °C |
| Operational voltage | 48 V AC/DC |
| Protection class | IP65 |
| Weight | 0.035 kg |



Technical data

| Part No. | Max. current |
|------------|--------------|
| R419800162 | 4 A |

Technical information

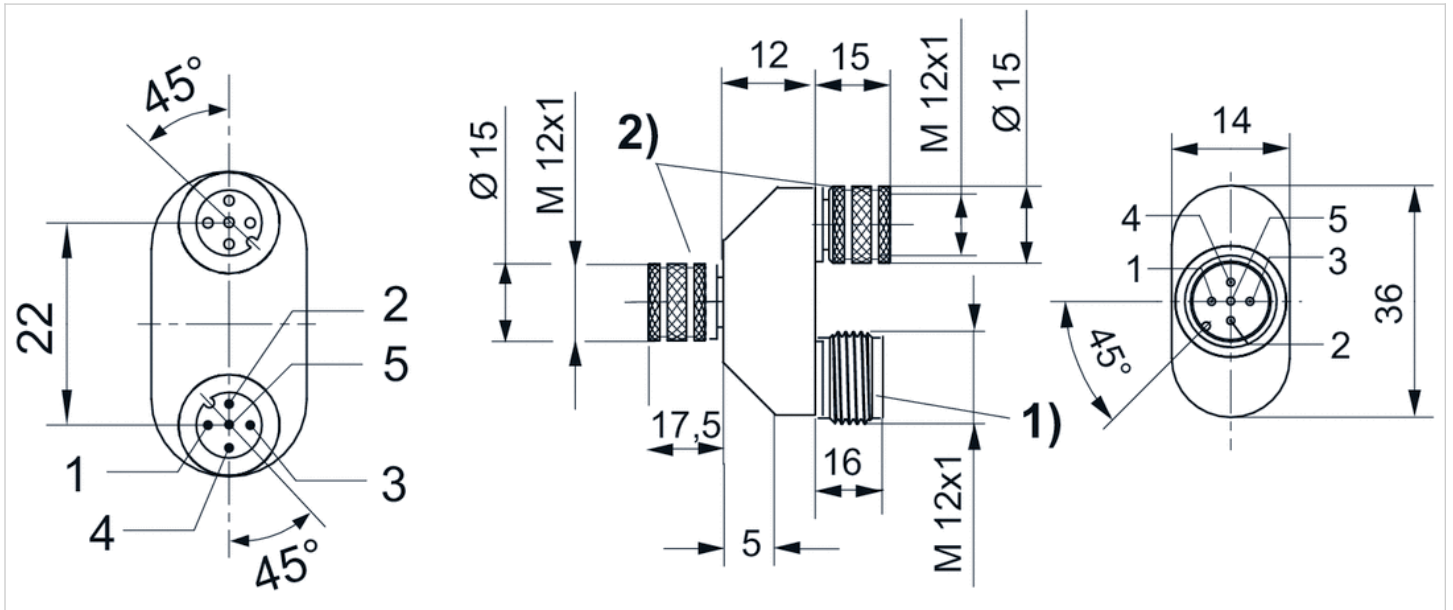
The specified protection class is only valid in assembled and tested state.

Technical information

| Material | |
|----------|------------------|
| Housing | Polyurethane |
| Seals | Fluorocaoutchouc |

Dimensions

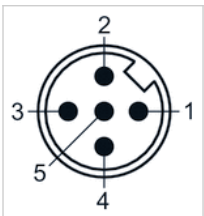
Dimensions



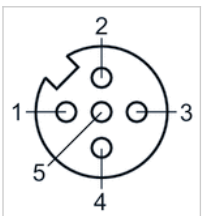
- 1) Plug
- 2) Socket

Pin assignments

Plug pin assignment



Pin assignment, socket

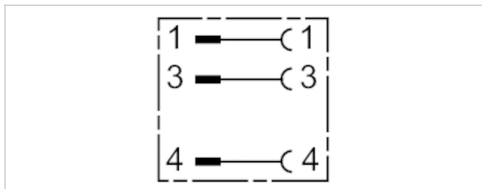


Adapter, Series CON-AP

- Socket, M12x1, 3-pin, A-coded, straight, 180°
- Plug, M8x1, 3-pin, A-coded, straight, 180°
- unshielded



| | |
|-------------------------------|---------------|
| Ambient temperature min./max. | -25 ... 85 °C |
| Operational voltage | 48 V AC/DC |
| Protection class | IP67 |
| Weight | 0.013 kg |



Technical data

| Part No. | Max. current | Contact assignment |
|------------|--------------|--------------------|
| R412021684 | 4 A | 3 |

Technical information

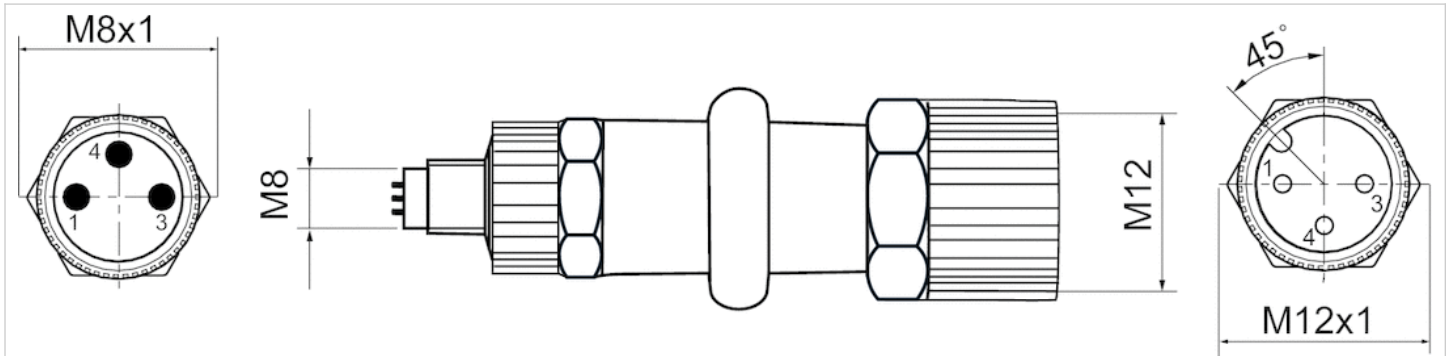
The specified protection class is only valid in assembled and tested state.

Technical information

| Material | |
|----------|--------------|
| Housing | Polyurethane |

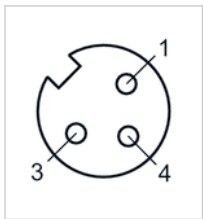
Dimensions

Dimensions

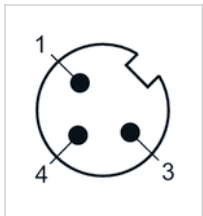


Pin assignments

Pin assignment, socket



Plug pin assignment



Protective cap

- for series CL03



Protection class

IP69K

Weight

0.005 kg

The delivered product may vary from that in the illustration.

Technical data

| Part No. | Type | Delivery unit |
|------------|-------|---------------|
| R419801626 | M12x1 | 1 piece |

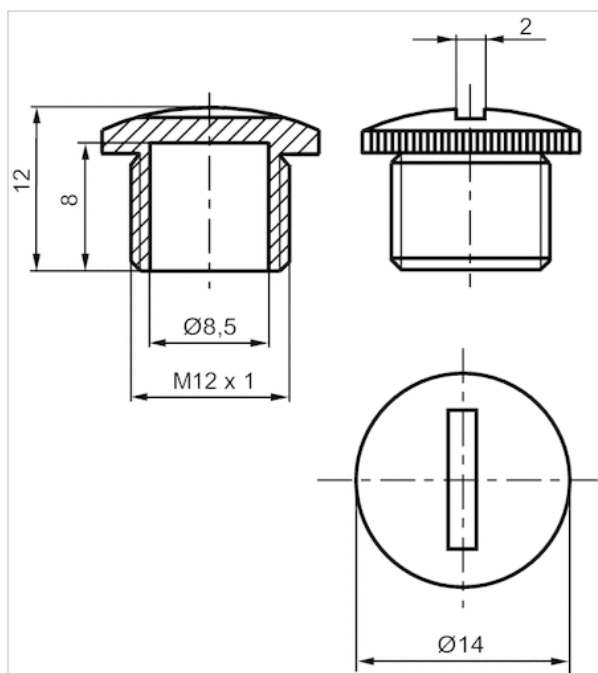
protective cap for manual override (10 pieces), 0.25 m connection cable, form C

Technical information

| Material | |
|----------|-----------------|
| Housing | Stainless steel |

Dimensions

Dimensions



Sealing cap

- For unused M12 plugs



Ambient temperature min./max. -40 ... 85 °C
 Protection class IP65

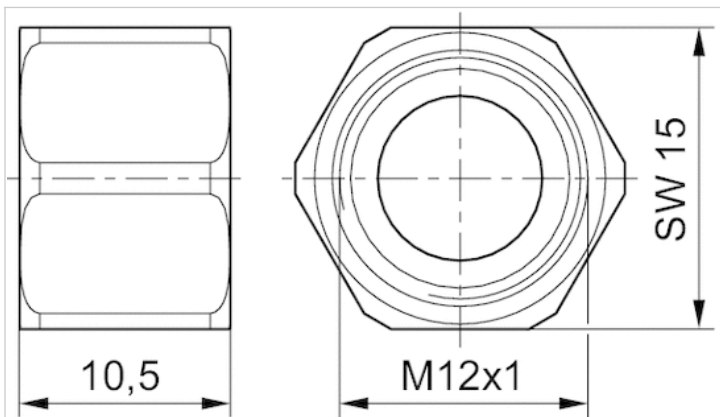
Technical data

| Part No. | Type | Delivery unit |
|------------|-------|---------------|
| R412024837 | M12x1 | 1 piece |

Technical information

| Material | |
|----------|-------|
| Housing | Brass |

Dimensions



Sealing cap

- For 7/8" sockets



| | |
|-------------------------------|---------------|
| Ambient temperature min./max. | -25 ... 85 °C |
| Protection class | IP65 |
| Weight | 0.011 kg |

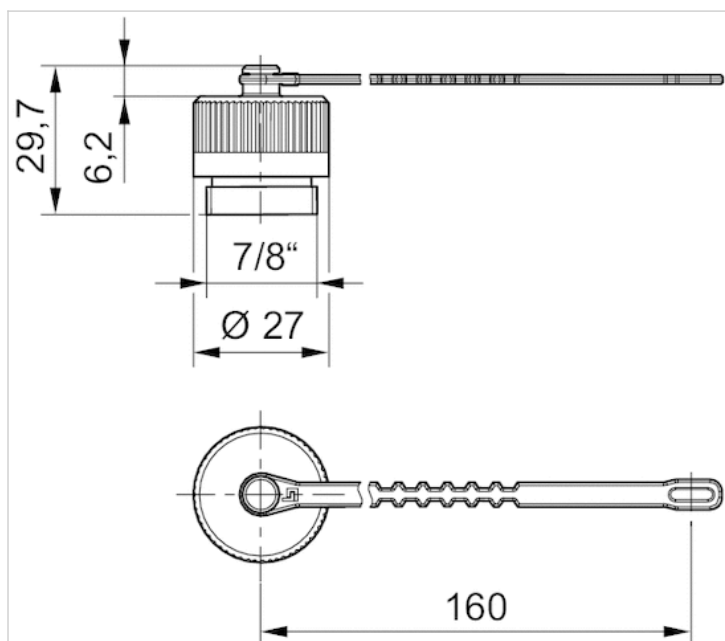
Technical data

| Part No. | Type | Delivery unit |
|------------|------------|---------------|
| R412024838 | 7/8"-16UNF | 1 piece |

Technical information

| Material | |
|----------|--------------------------------|
| Housing | Polyamide |
| Seal | Acrylonitrile butadiene rubber |

Dimensions



Protective cap, series CON-RD

- M8x1



| | |
|-------------------------------|---------------|
| Ambient temperature min./max. | -40 ... 85 °C |
| Protection class | IP67 |
| Weight | 0.001 kg |

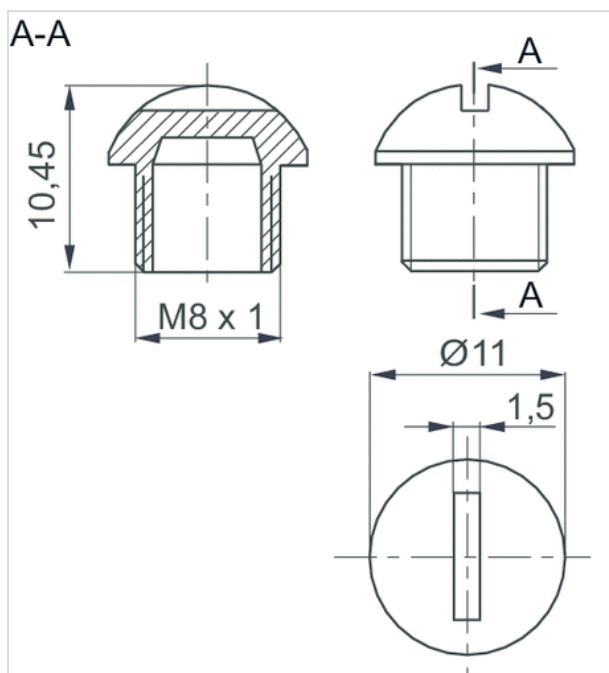
Technical data

| Part No. | Type | Scope of delivery |
|------------|------|-------------------|
| R412003493 | M8x1 | 25 |

Technical information

| Material | |
|----------|-----------|
| Housing | Polyamide |

Dimensions



Protective cap, series CON-RD

- M12x1



| | |
|-------------------------------|---------------|
| Ambient temperature min./max. | -40 ... 85 °C |
| Protection class | IP67 |
| Weight | 0.001 kg |

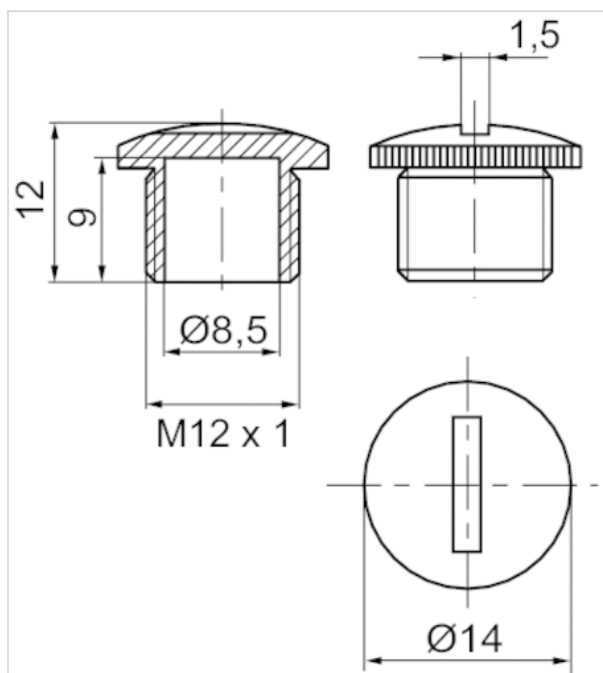
Technical data

| Part No. | Type | Delivery unit |
|------------|-------|---------------|
| 1823312001 | M12x1 | 50 piece |

Technical information

| Material | |
|----------|-----------|
| Housing | Polyamide |

Dimensions



Efficient pneumatic solutions, our program: cylinders and drives, valves and valve systems, air supply management



Visit us: Emerson.com/Aventics

Your local contact: Emerson.com/contactus



Emerson.com



Facebook.com/EmersonAutomationSolutions



LinkedIn.com/company/Emerson-Automation-Solutions



Twitter.com/EMR_Automation

An example configuration is depicted on the title page. The delivered product may thus vary from that in the illustration. Subject to change. This Document, as well as the data, specifications and other information set forth in it, are the exclusive property of AVENTICS GmbH. It may not be reproduced or given to third parties without its consent. Only use the AVENTICS products shown in industrial applications. Read the product documentation completely and carefully before using the product. Observe the applicable regulations and laws of the respective country. When integrating the product into applications, note the system manufacturer's specifications for safe use of the product. The data specified only serve to describe the product. No statements concerning a certain condition or suitability for a certain application can be derived from our information. The information given does not release the user from the obligation of own judgment and verification. It must be remembered that the products are subject to a natural process of wear and aging.

The Emerson logo is a trademark and service mark of Emerson Electric Co. Brand logotype are registered trademarks of one of the Emerson family of companies. All other marks are the property of their respective owners. © 2017 Emerson Electric Co. All rights reserved.
2019-03



CONSIDER IT SOLVED™



青岛秉诚自动化设备有限公司
地址：中国·青岛市重庆南路99号海尔云街甲3号楼7F

服务热线：4006-918-365
网址：<http://www.ivalve.cc>

传真：(86-532)585-10-365
Email：sales@bechinas.com