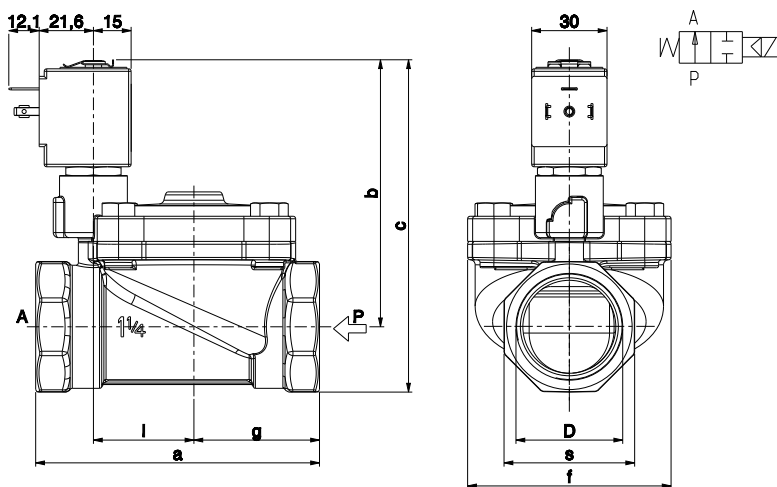


ASCO™ SOLENOID VALVE

2/2 NORMALLY OPEN – PILOT OPERATED - 1 ¼ ÷ 2 NPT

SERIES
L282D-BIG-NPT



D	a	b	c	f	g	l	s
1 ¼	113	106	132	81	50	40	52
1 ½	140	110	140	110	64	53	60
2	157	114	150	110	72	53	72

General Features

Diaphragm valve, pilot operated, having full orifice.

Suitable to shut off liquid and gaseous fluids (verify the compatibility of fluid with materials in contact).

Not suitable for use with dangerous fluids listed in Group 1, therefore they are free from CE marking in conformity with article 3 § 3 of the European Directive 97/23/EC (Pressure Equipment Directive).

WRAS certified solenoid valves (certificate n. 1411048).

Technical Features	
Maximum allowable pressure (PS)	10 bar
Opening time	from ~300ms to ~1500ms
Closing time	from ~1000ms to ~2000ms
Fluid temperature	-10°C +140°C* WRAS
Max viscosity	5°E (~37 cStokes or mm²/s)

* Maximum operating temperature 85°C in compliance with WRAS approval

Materials in Contact with Fluid	
Body	Brass
Sealing	EPDM
Internal components	Brass and stainless steel
Seat	Brass
Guide assembly	Stainless steel
Shading ring	Copper

Coil		
Continuous duty	ED 100%	
Encapsulation material	PPS (Polyphenylsulfure) fiberglass reinforced	
Insulation class	F (155°C) on request class H (180°C) – UL (see ZA34)	
Ambient temperature	-10°C +50°C	
Electric connections	DIN 46340 - 3 poles connector (EN175301-803)	
Protection degree	IP 67 (EN 60529) with plug connector	
Voltages	DC	ZA10A: 12-24V (+10% -5%)
	AC	ZA10Y: 24V/50Hz - 110V/50Hz (120V/60Hz) - 230V/50Hz (+10% -15%) (Other voltages and frequencies on request)

Port size	Orifice size (mm)	Differential pressure (bar)				Kv (m³/h)	Series and type		Power absorption			Sealings	Notes	Weight (kg)	
		Δp min	Δp max				Valve	Coil	AC (VA)		DC (W)				
			AC	DC	AC				DC	Inrush					Holding
1 ¼ NPT	30	0,50	10	-	10	-	L282D50	ZA10Y	28	20	-	EPDM	-	1,590	
1 ½ NPT	45		9	-	9	-								2,510	
2 NPT	45		-	10	-	10								15	2,990
1 ¼ NPT	30		-	9	-	9								15	1,590
1 ½ NPT	45		-	9	-	9								27	2,510
2 NPT	45		-	9	-	9								34	2,990

Notes

- Sealings : EPDM = Ethylene-propylene elastomer
- Operation with gaseous fluids at high pressure without any outlet restriction can reduce the diaphragm life.
- WRAS approved solenoid valve (certificate n. 2007001).

ASCO™

www.Emerson.com/asco

EMERSON

BCAE
Automation Solutions

青岛秉诚自动化设备有限公司
地址：中国·青岛市重庆南路99号海尔云街甲3号楼7F

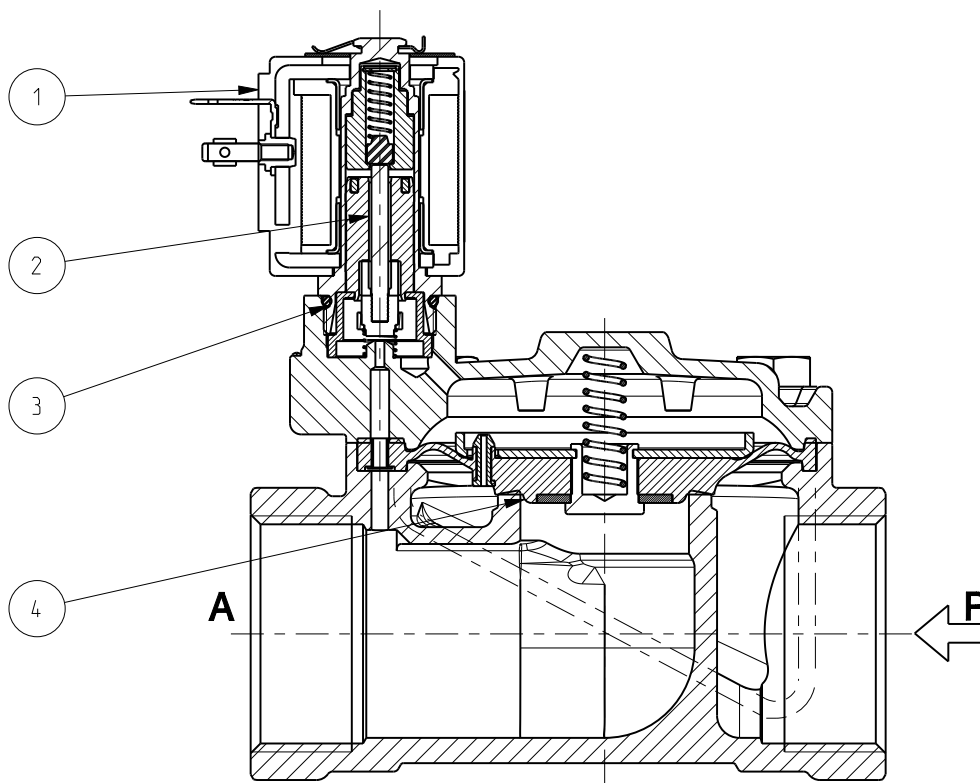
服务热线：4006-918-365
网址：http://www.ivalve.cc

传真：(86-532)585-10-365
Email：sales@bechinas.com

SERIES
L282D-BIG-NPT

ASCO™ SOLENOID VALVE
2/2 NORMALLY OPEN – PILOT OPERATED - 1 ¼ ÷ 2 NPT

Spare Parts



Kit description	Port Size	Kit P.N.	Consisting of:
Actuator kit		438589-003R	Actuator kit pos. 2 O-Ring guide assembly pos. 3
Diaphragm assembly	1 ¼ 1 ¼ NPT	2400804R	Diaphragm assembly pos. 4
	1 ½ - 2 NPT	2401305R	
Coil		ZA10A ZA10Y	Coil pos.1

Installation

- Solenoid valve can be mounted in any position; vertical with coil upwards preferred.

THE VALIDITY OF REPORTED DATA IS REFERRED TO THE DATE OF ISSUE. POSSIBLE UPDATES ARE AVAILABLE ON REQUEST