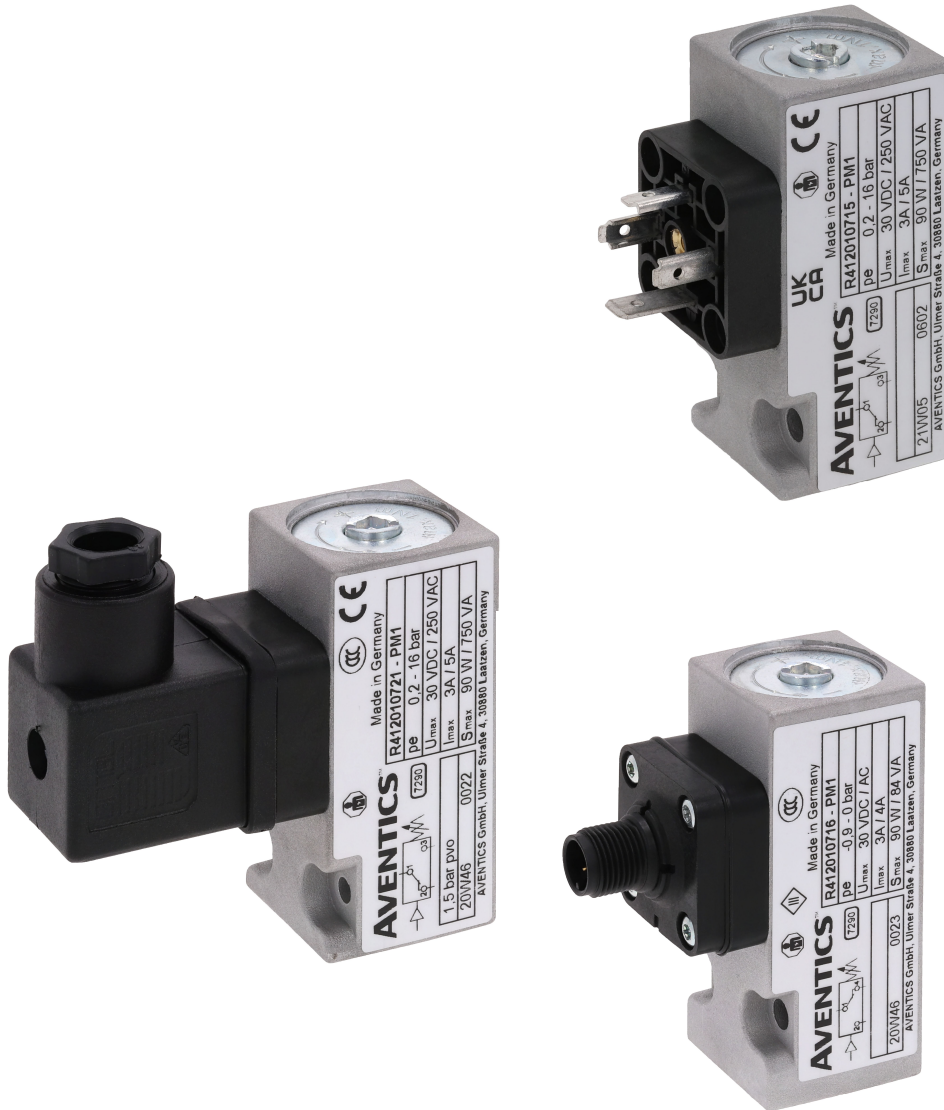


Series PM1



AVENTICS™ Series PM1



Pressure Switches, Series PM1

R412010711

Series PM1

- Operating pressure -[[0,9]bar] ... [[16]bar]
- Diaphragm, spring loaded, adjustable
- Cable
- EN 175301-803, form A
- M12x1



Technical information

Industry
Industrial

Function
change-over contact (mechanical)

Operating voltage DC, max.
30 V DC

Type
Mechanical

Type
Diaphragm, spring loaded, adjustable

Mounting orientation
Any

Operating pressure min
-0.9 bar

Operating pressure max
0 bar

Compressed air connection type
Internal thread

Compressed air connection
G 1/4

Working pressure min.
-0.9 bar

Working pressure max
0 bar

Min. ambient temperature
-20 °C

Max. ambient temperature
80 °C

Min. medium temperature
-10 °C

Max. medium temperature
80 °C

Medium
Compressed air
Hydraulic oil

Measurement
Relative pressure

Switching element
microswitch (input/output)

Protection against overpressure
[[80] bar]

Max. switching frequency
1,5 Hz

Shock resistance max.
15 g

Vibration resistance
10 g (60 - 500 Hz)

Repetitive precision
 $\pm 2 \%$

Switching point
adjustable

Hysteresis
max. switching pressure difference

Operating voltage DC, min.
12 V DC

Operating voltage AC, min.
12 V AC

Operational voltage AC, max.
250 V AC

Power supply connection
With valve plug connector

Mounting types
via through holes

Protection class
IP65

Electrical connection
Plug

Electrical connection
EN 175301-803, form A

Weight
0.13 kg

Material

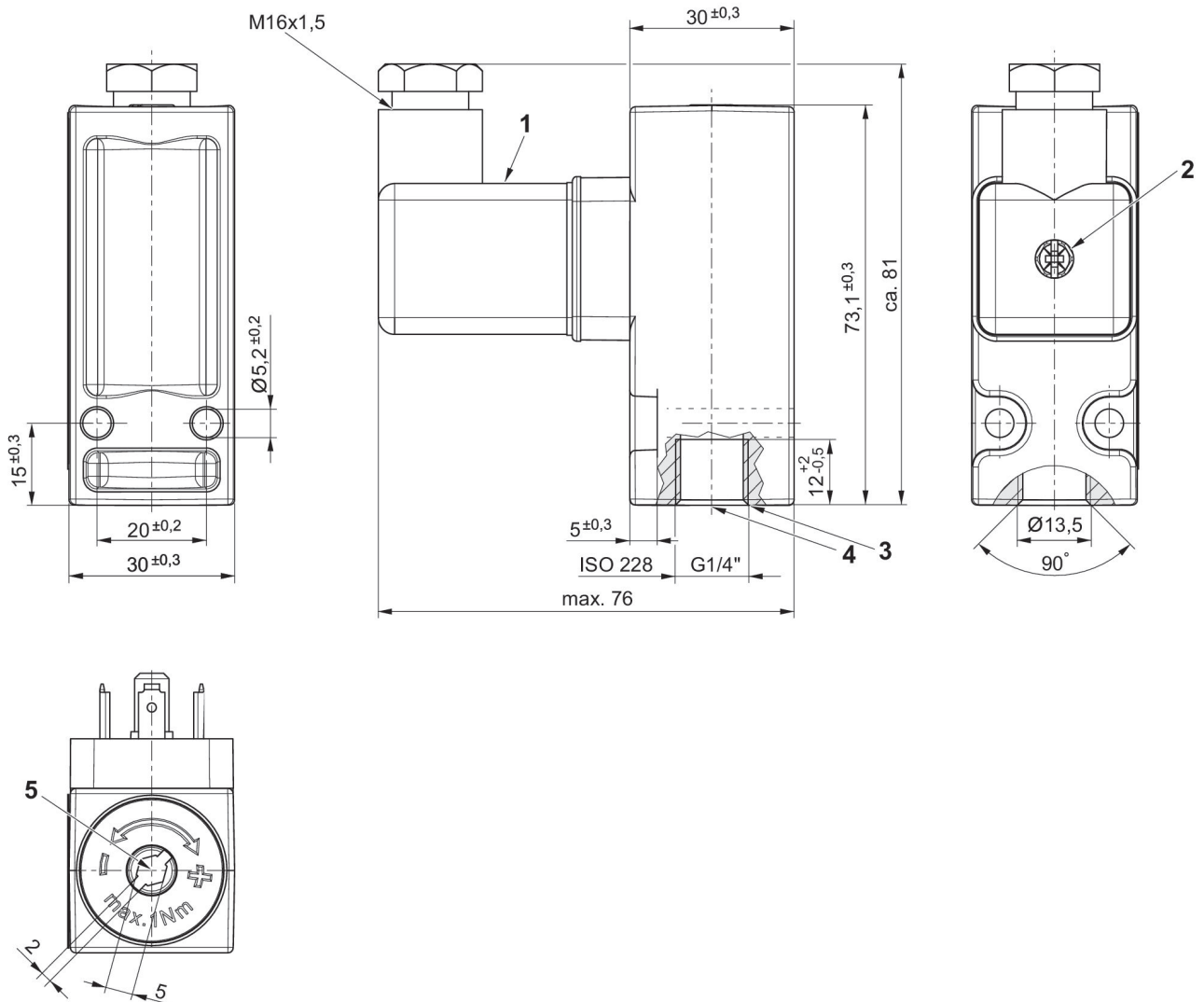
Housing material
Aluminum

Seal material
Acrylonitrile butadiene rubber

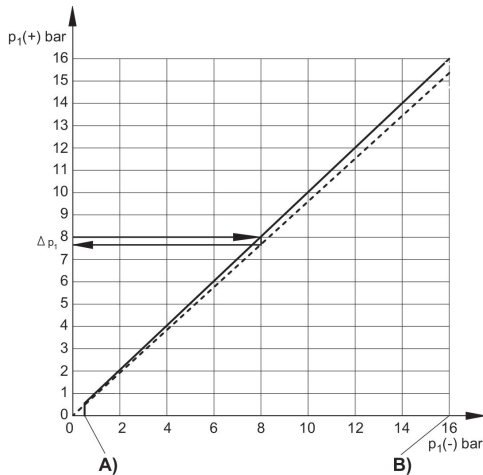
Material electrical connection
Brass

Part No.
R412010711

Dimensions

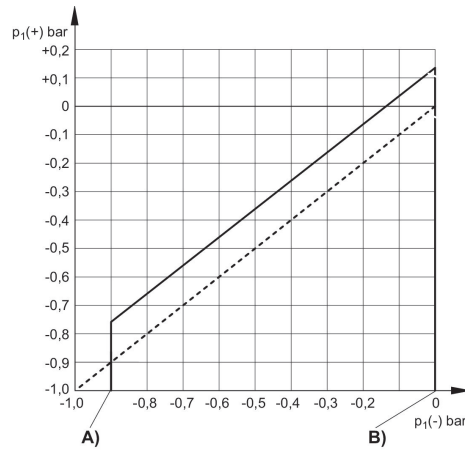


differential switching pressure characteristic curve (0,2 - 16 bar)



A) p1 (-), min.
B) p1 (-), max.
p1 (+) = upper switching pressure with increasing pressure
p1 (-) = lower switching pressure with decreasing pressure
 $\Delta p1$ = max. operating pressure difference or hysteresis#Example:#p1 (+) = 8 bar > p1(-) = 7.6 bar# $\Delta p1 = 0.4$ bar

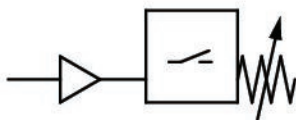
differential switching pressure characteristic curve (-0,9 – 0 bar)



A) p1 (-), min.
B) p1 (-), max.
p1 (+) = upper switching pressure with increasing pressure
p1 (-) = lower switching pressure with decreasing pressure

max. permissible continuous current I max. [A] with inductive load

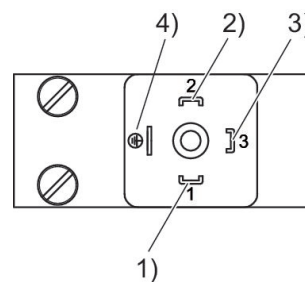
U [V]	I [A] 1) 3)	I [A] 2) 4)
30	3	2
48	3	0.55
60	3	0.4
125	3	0.15
250	3	-



max. permissible continuous current I max. [A] with ohmic load

U [V]	I [A] 1)	I [A] 2)
30	5	3
48	5	1,2
60	5	0,8
125	5	0,4
250	5	-

PIN assignment for valve plug connectors



Pin	Allocation
1	+UB
2	break contact
3	NO (make contact)
4	GND

Pressure Switches, Series PM1

R412022752

Series PM1

- Operating pressure -[[0,9]bar] ... [[16]bar]
- Diaphragm, spring loaded, adjustable
- Cable
- EN 175301-803, form A
- M12x1



Technical information

Industry
Industrial

Function
change-over contact (mechanical)

Operating voltage DC, max.
30 V DC

Type
Mechanical

Type
Diaphragm, spring loaded, adjustable

Mounting orientation
Any

Operating pressure min
-0.9 bar

Operating pressure max
3 bar

Compressed air connection type
Internal thread

Compressed air connection
G 1/4

Working pressure min.
-0.9 bar

Working pressure max
3 bar

Min. ambient temperature
-20 °C

Max. ambient temperature
80 °C

Min. medium temperature
-10 °C

Max. medium temperature
80 °C

Medium
Compressed air
Hydraulic oil

Measurement
Relative pressure

Switching element
microswitch (input/output)

Protection against overpressure
[[80] bar]

Max. switching frequency
1,5 Hz

Shock resistance max.
15 g

Vibration resistance
10 g (60 - 500 Hz)

Repetitive precision
 $\pm 2 \%$

Switching point
adjustable

Hysteresis
max. switching pressure difference

Operating voltage DC, min.
12 V DC

Operating voltage AC, min.
12 V AC

Operational voltage AC, max.
250 V AC

Power supply connection
Without valve plug connector

Mounting types
via through holes

Protection class
IP65

Electrical connection
Plug

Electrical connection
EN 175301-803, form A

Weight
0.13 kg

Material

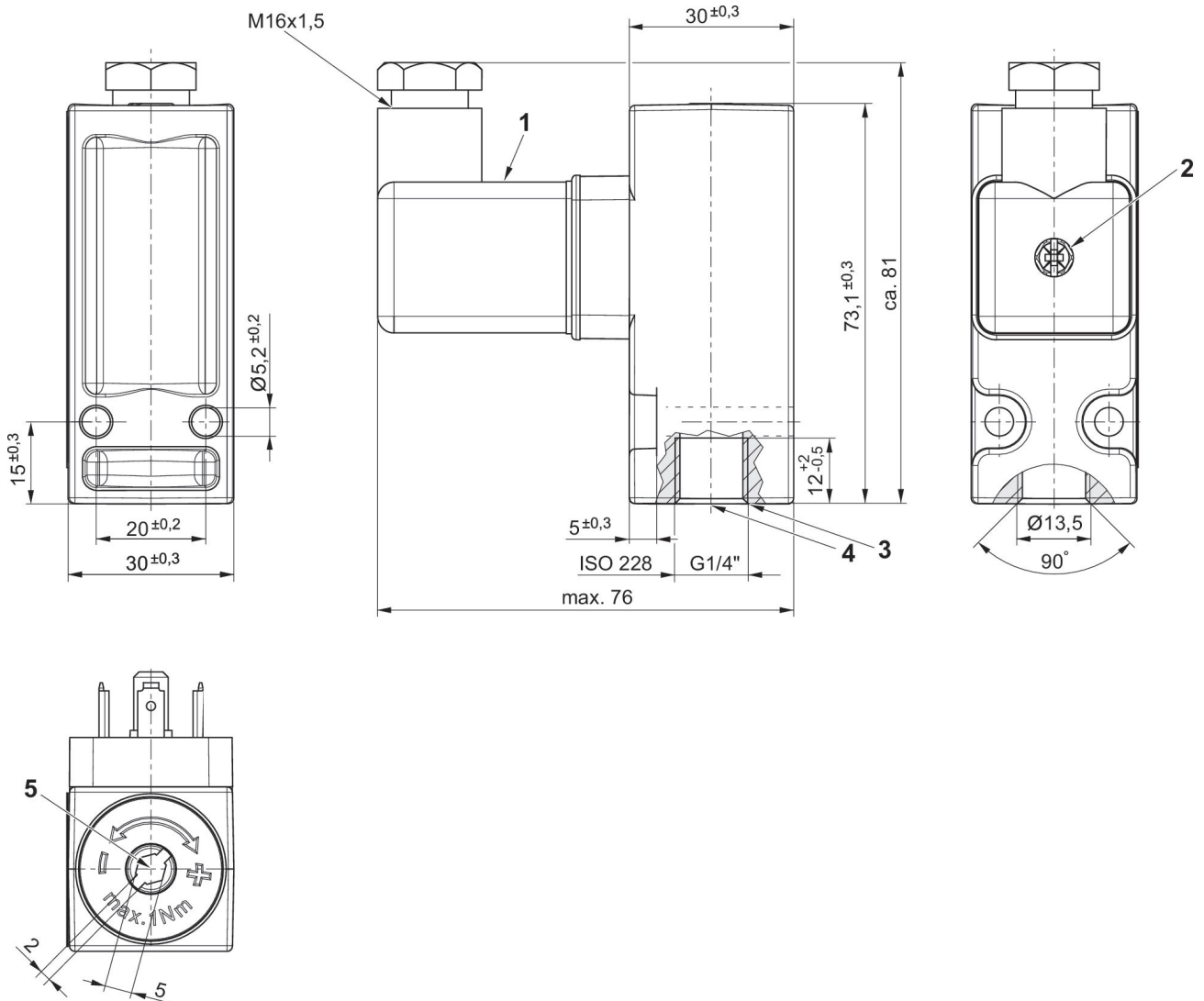
Housing material
Aluminum

Seal material
Acrylonitrile butadiene rubber

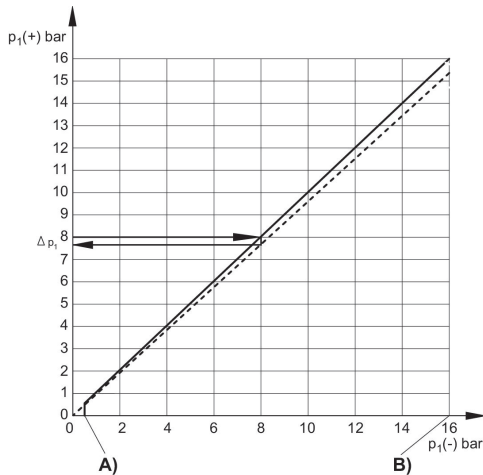
Material electrical connection
Brass

Part No.
R412022752

Dimensions

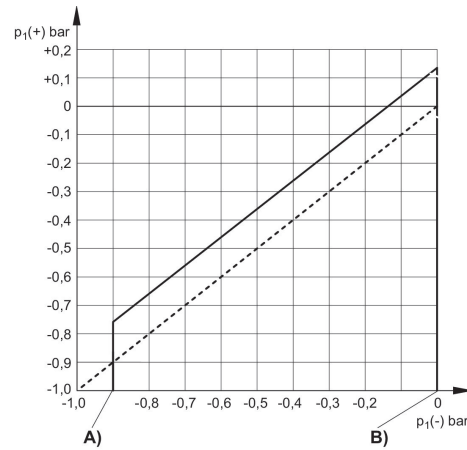


differential switching pressure characteristic curve (0,2 - 16 bar)



A) p1 (-), min.
B) p1 (-), max.
p1 (+) = upper switching pressure with increasing pressure
p1 (-) = lower switching pressure with decreasing pressure
Δ p1 = max. operating pressure difference or hysteresis#Example:#p1 (+) = 8 bar > p1(-) = 7.6 bar#Δ p1 = 0.4 bar

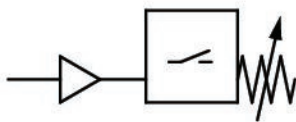
differential switching pressure characteristic curve (-0,9 – 0 bar)



A) p1 (-), min.
B) p1 (-), max.
p1 (+) = upper switching pressure with increasing pressure
p1 (-) = lower switching pressure with decreasing pressure

max. permissible continuous current I max. [A] with inductive load

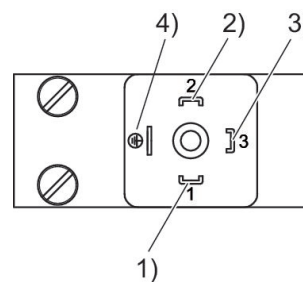
U [V]	I [A] 1) 3)	I [A] 2) 4)
30	3	2
48	3	0.55
60	3	0.4
125	3	0.15
250	3	-



max. permissible continuous current I max. [A] with ohmic load

U [V]	I [A] 1)	I [A] 2)
30	5	3
48	5	1,2
60	5	0,8
125	5	0,4
250	5	-

PIN assignment for valve plug connectors



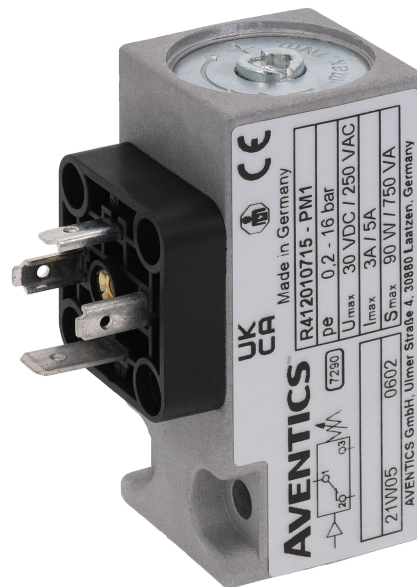
Pin	Allocation
1	+UB
2	break contact
3	NO (make contact)
4	GND

Pressure Switches, Series PM1

R412010712

Series PM1

- Operating pressure -[[0,9]bar] ... [[16]bar]
- Diaphragm, spring loaded, adjustable
- Cable
- EN 175301-803, form A
- M12x1



Technical information

Industry
Industrial

Function
change-over contact (mechanical)

Operating voltage DC, max.
30 V DC

Type
Mechanical

Type
Diaphragm, spring loaded, adjustable

Mounting orientation
Any

Operating pressure min
0.2 bar

Operating pressure max
16 bar

Compressed air connection type
Internal thread

Compressed air connection
G 1/4

Working pressure min.
0.2 bar

Working pressure max
2 bar

Min. ambient temperature
-20 °C

Max. ambient temperature
80 °C

Min. medium temperature
-10 °C

Max. medium temperature
80 °C

Medium
Compressed air
Hydraulic oil

Measurement
Relative pressure

Switching element
microswitch (input/output)

Protection against overpressure
[[80] bar]

Max. switching frequency
1,5 Hz

Shock resistance max.
15 g

Vibration resistance
10 g (60 - 500 Hz)

Repetitive precision
 $\pm 2 \%$

Switching point
adjustable

Hysteresis
max. switching pressure difference

Operating voltage DC, min.
12 V DC

Operating voltage AC, min.
12 V AC

Operational voltage AC, max.
250 V AC

Power supply connection
Without valve plug connector

Mounting types
via through holes

Protection class
IP65

Electrical connection
Plug

Electrical connection
EN 175301-803, form A

Weight
0.13 kg

Material

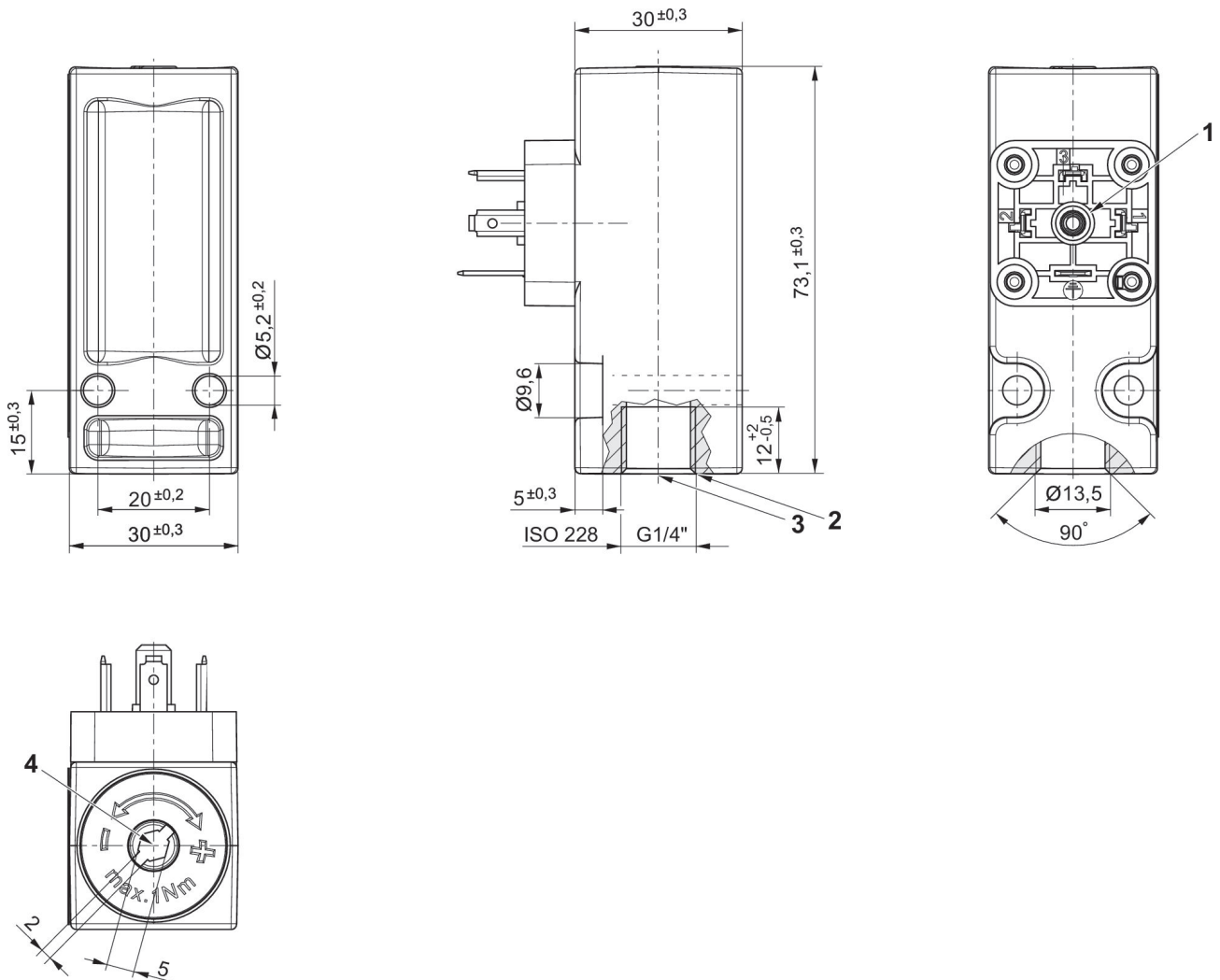
Housing material
Aluminum

Seal material
Acrylonitrile butadiene rubber

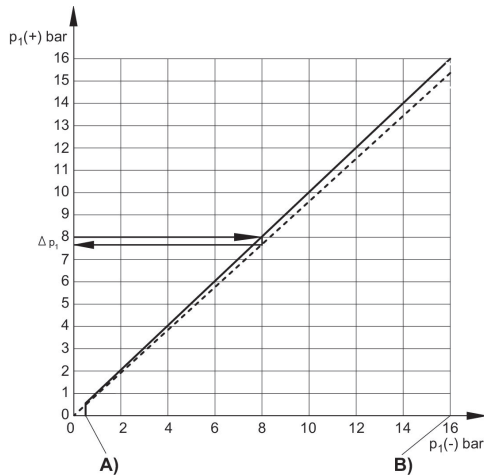
Material electrical connection
Brass

Part No.
R412010712

Dimensions

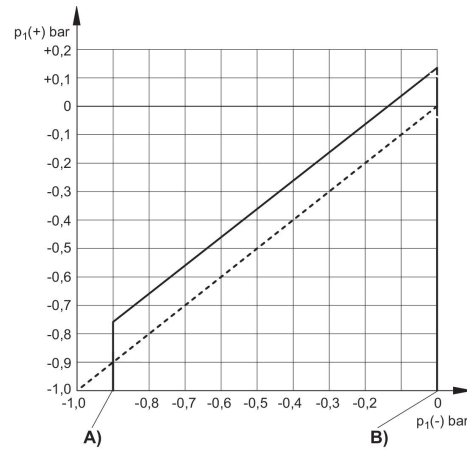


differential switching pressure characteristic curve (0,2 - 16 bar)



A) p1 (-), min.
B) p1 (-), max.
p1 (+) = upper switching pressure with increasing pressure
p1 (-) = lower switching pressure with decreasing pressure
 $\Delta p1$ = max. operating pressure difference or hysteresis#Example:#p1 (+) = 8 bar > p1(-) = 7.6 bar# $\Delta p1 = 0.4$ bar

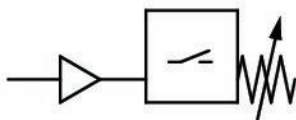
differential switching pressure characteristic curve (-0,9 – 0 bar)



A) p1 (-), min.
B) p1 (-), max.
p1 (+) = upper switching pressure with increasing pressure
p1 (-) = lower switching pressure with decreasing pressure

max. permissible continuous current I max. [A] with inductive load

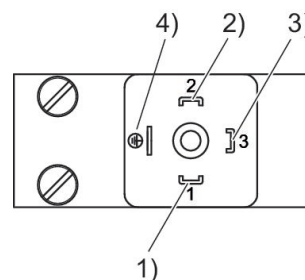
U [V]	I [A] 1) 3)	I [A] 2) 4)
30	3	2
48	3	0.55
60	3	0.4
125	3	0.15
250	3	-



max. permissible continuous current I max. [A] with ohmic load

U [V]	I [A] 1)	I [A] 2)
30	5	3
48	5	1,2
60	5	0,8
125	5	0,4
250	5	-

PIN assignment for valve plug connectors



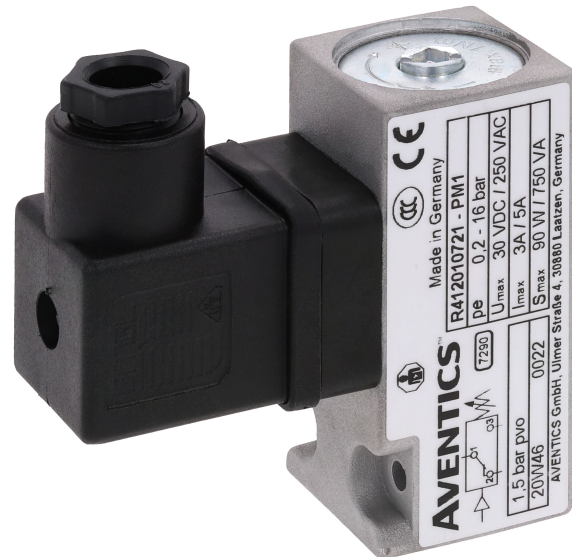
Pin	Allocation
1	+UB
2	break contact
3	NO (make contact)
4	GND

Pressure Switches, Series PM1

R412010713

Series PM1

- Operating pressure -[[0,9]bar] ... [[16]bar]
- Diaphragm, spring loaded, adjustable
- Cable
- EN 175301-803, form A
- M12x1



Technical information

Industry
Industrial

Function
change-over contact (mechanical)

Operating voltage DC, max.
30 V DC

Type
Mechanical

Type
Diaphragm, spring loaded, adjustable

Mounting orientation
Any

Operating pressure min
0.2 bar

Operating pressure max
16 bar

Compressed air connection type
Internal thread

Compressed air connection
G 1/4

Working pressure min.
0.2 bar

Working pressure max
8 bar

Min. ambient temperature
-20 °C

Max. ambient temperature
80 °C

Min. medium temperature
-10 °C

Max. medium temperature
80 °C

Medium
Compressed air
Hydraulic oil

Measurement
Relative pressure

Switching element
microswitch (input/output)

Protection against overpressure
[[80] bar]

Max. switching frequency
1,5 Hz

Shock resistance max.
15 g

Vibration resistance
10 g (60 - 500 Hz)

Repetitive precision
 $\pm 2 \%$

Switching point
adjustable

Hysteresis
max. switching pressure difference

Operating voltage DC, min.
12 V DC

Operating voltage AC, min.
12 V AC

Operational voltage AC, max.
250 V AC

Power supply connection
With valve plug connector

Mounting types
via through holes

Protection class
IP65

Electrical connection
Plug

Electrical connection
EN 175301-803, form A

Weight
0.13 kg

Material

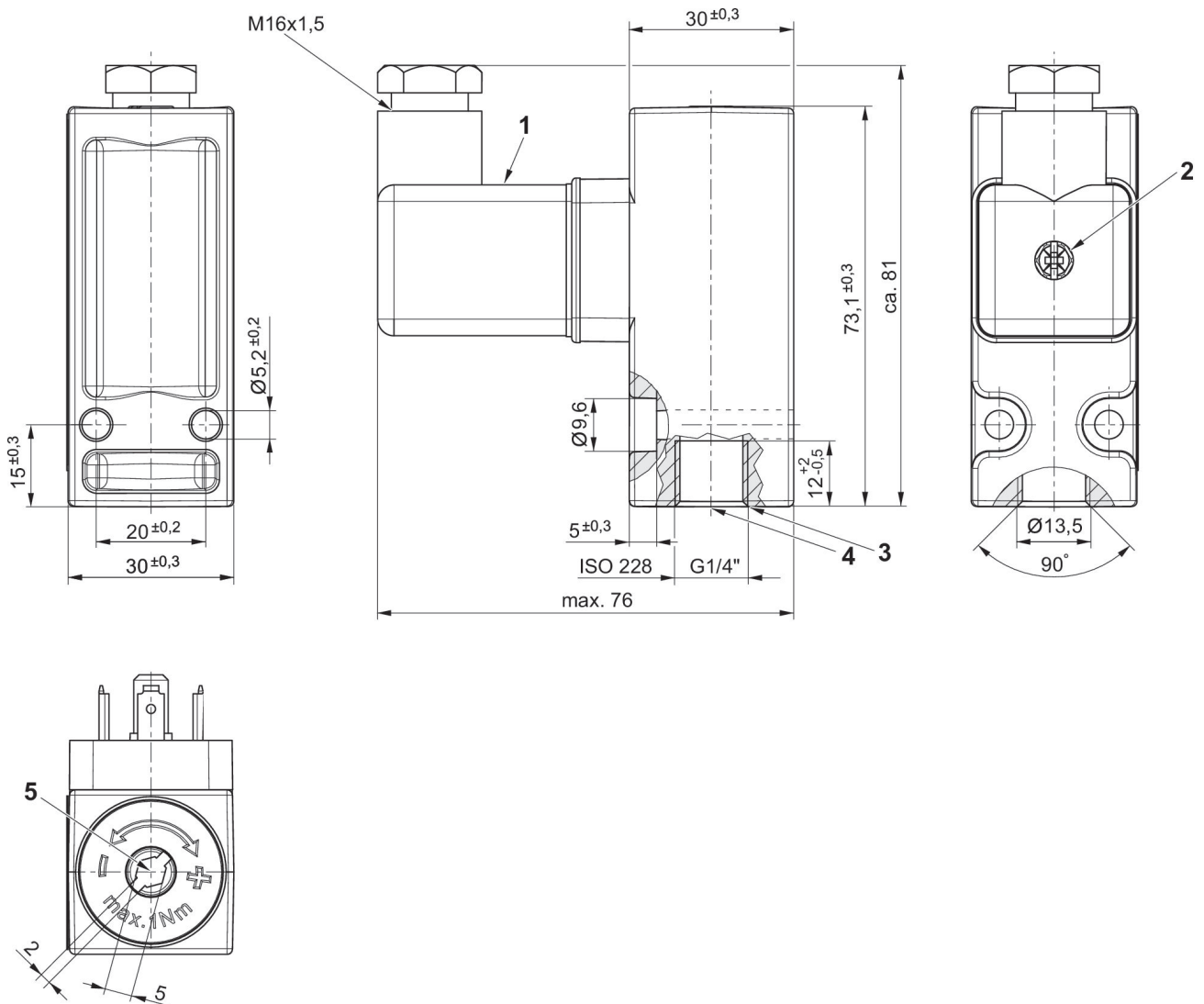
Housing material
Aluminum

Seal material
Acrylonitrile butadiene rubber

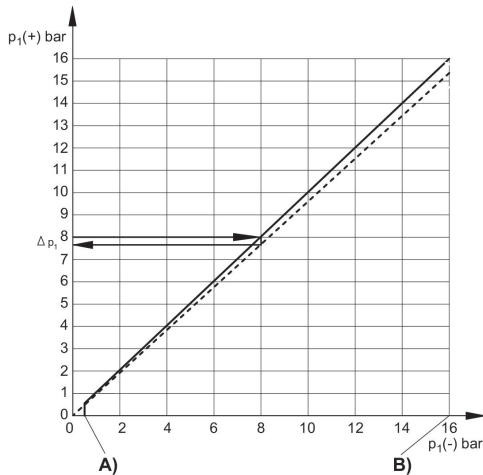
Material electrical connection
Brass

Part No.
R412010713

Dimensions

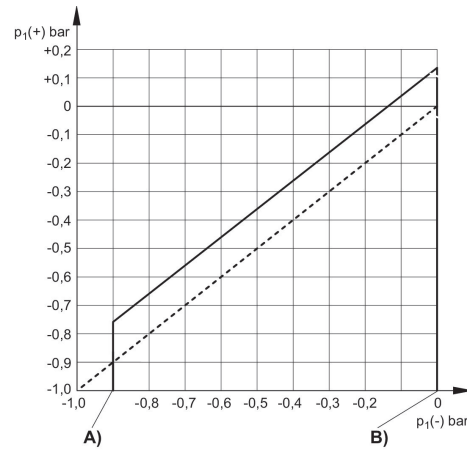


differential switching pressure characteristic curve (0,2 - 16 bar)



A) p1 (-), min.
B) p1 (-), max.
p1 (+) = upper switching pressure with increasing pressure
p1 (-) = lower switching pressure with decreasing pressure
Δ p1 = max. operating pressure difference or hysteresis#Example:#p1 (+) = 8 bar > p1(-) = 7.6 bar#Δ p1 = 0.4 bar

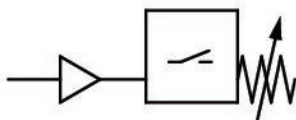
differential switching pressure characteristic curve (-0,9 – 0 bar)



A) p1 (-), min.
B) p1 (-), max.
p1 (+) = upper switching pressure with increasing pressure
p1 (-) = lower switching pressure with decreasing pressure

max. permissible continuous current I max. [A] with inductive load

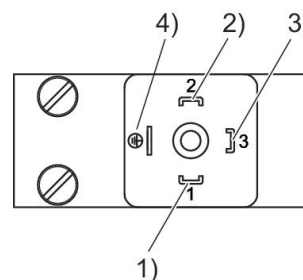
U [V]	I [A] 1) 3)	I [A] 2) 4)
30	3	2
48	3	0.55
60	3	0.4
125	3	0.15
250	3	-



max. permissible continuous current I max. [A] with ohmic load

U [V]	I [A] 1)	I [A] 2)
30	5	3
48	5	1,2
60	5	0,8
125	5	0,4
250	5	-

PIN assignment for valve plug connectors



Pin	Allocation
1	+UB
2	break contact
3	NO (make contact)
4	GND

Pressure Switches, Series PM1

R412010714

Series PM1

- Operating pressure -[[0,9]bar] ... [[16]bar]
- Diaphragm, spring loaded, adjustable
- Cable
- EN 175301-803, form A
- M12x1



Technical information

Industry
Industrial

Function
change-over contact (mechanical)

Operating voltage DC, max.
30 V DC

Type
Mechanical

Type
Diaphragm, spring loaded, adjustable

Mounting orientation
Any

Operating pressure min
-0.9 bar

Operating pressure max
0 bar

Compressed air connection type
Flange with O-ring

Compressed air connection
Ø 5x1,5

Working pressure min.
-0.9 bar

Working pressure max
0 bar

Min. ambient temperature
-20 °C

Max. ambient temperature
80 °C

Min. medium temperature
-10 °C

Max. medium temperature
80 °C

Medium
Compressed air
Hydraulic oil

Measurement
Relative pressure

Switching element
microswitch (input/output)

Protection against overpressure
[[80] bar]

Max. switching frequency
1,5 Hz

Shock resistance max.
15 g

Vibration resistance
10 g (60 - 500 Hz)

Repetitive precision
 $\pm 2 \%$

Switching point
adjustable

Hysteresis
max. switching pressure difference

Operating voltage DC, min.
12 V DC

Operating voltage AC, min.
12 V AC

Operational voltage AC, max.
250 V AC

Power supply connection
With valve plug connector

Mounting types
via through holes

Protection class
IP65

Electrical connection
Plug

Electrical connection
EN 175301-803, form A

Weight
0.13 kg

Material

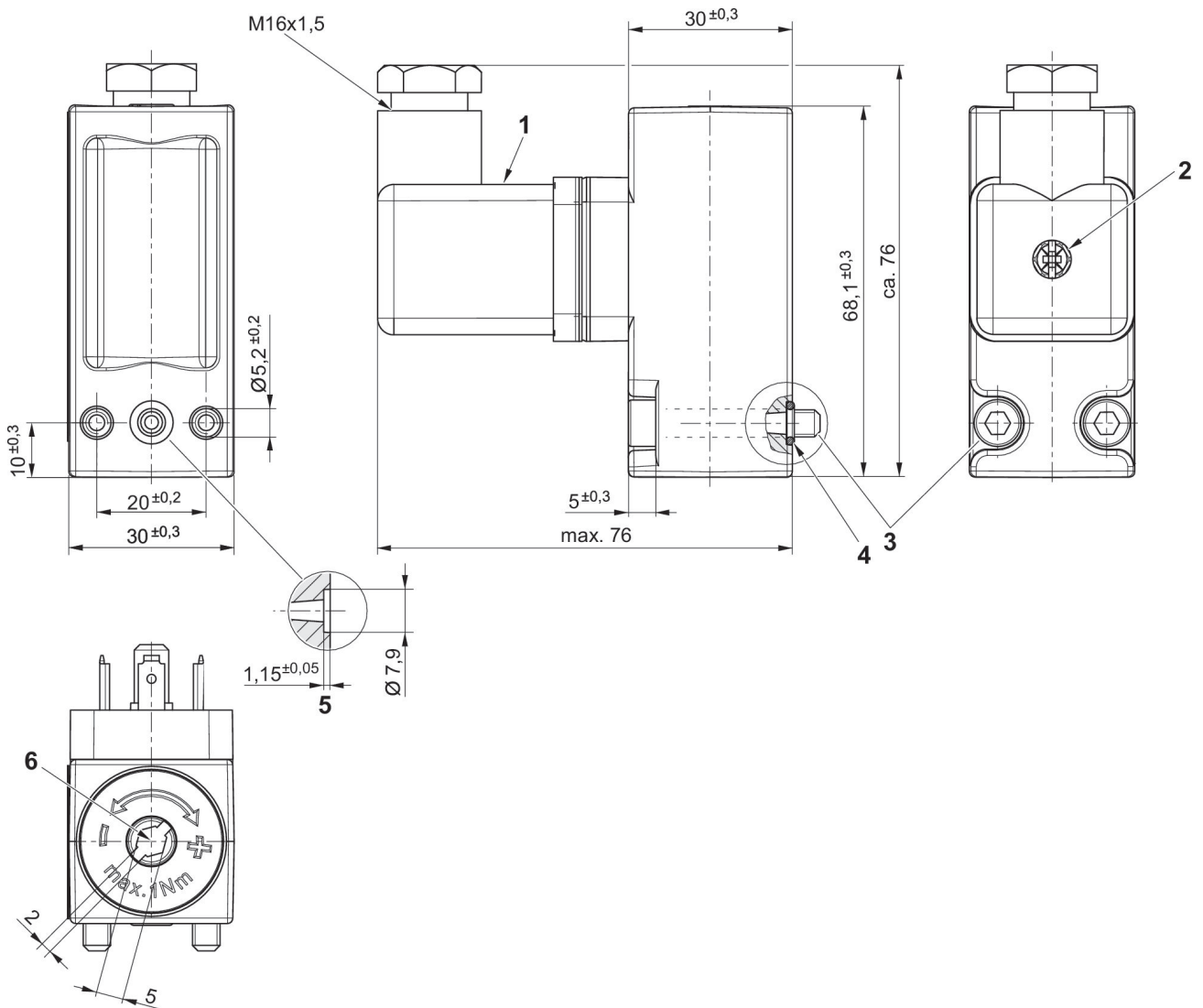
Housing material
Aluminum

Seal material
Acrylonitrile butadiene rubber

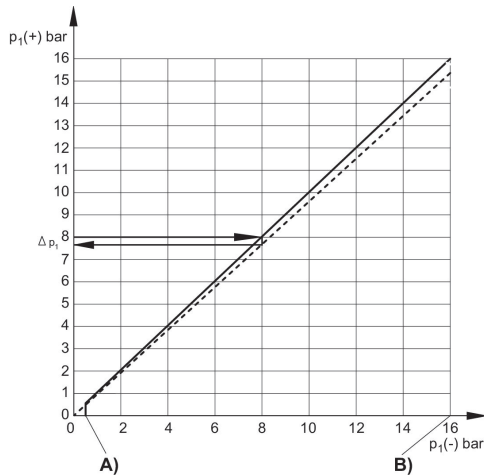
Material electrical connection
Brass

Part No.
R412010714

Dimensions

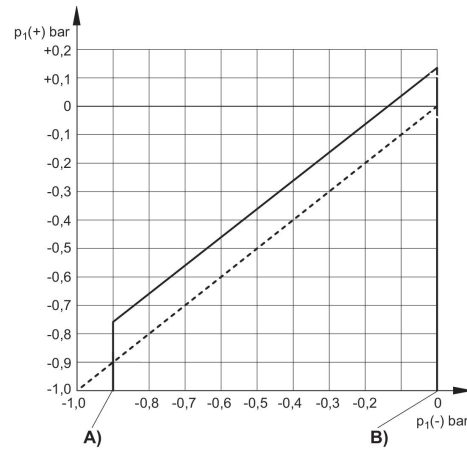


differential switching pressure characteristic curve (0,2 - 16 bar)



A) p1 (-), min.
B) p1 (-), max.
p1 (+) = upper switching pressure with increasing pressure
p1 (-) = lower switching pressure with decreasing pressure
Δ p1 = max. operating pressure difference or hysteresis#Example:#p1 (+) = 8 bar > p1(-) = 7.6 bar#Δ p1 = 0.4 bar

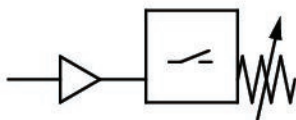
differential switching pressure characteristic curve (-0,9 – 0 bar)



A) p1 (-), min.
B) p1 (-), max.
p1 (+) = upper switching pressure with increasing pressure
p1 (-) = lower switching pressure with decreasing pressure

max. permissible continuous current I max. [A] with inductive load

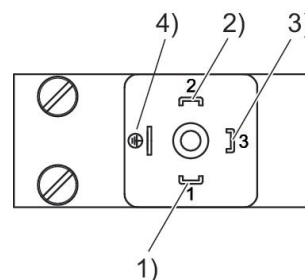
U [V]	I [A] 1) 3)	I [A] 2) 4)
30	3	2
48	3	0.55
60	3	0.4
125	3	0.15
250	3	-



max. permissible continuous current I max. [A] with ohmic load

U [V]	I [A] 1)	I [A] 2)
30	5	3
48	5	1,2
60	5	0,8
125	5	0,4
250	5	-

PIN assignment for valve plug connectors



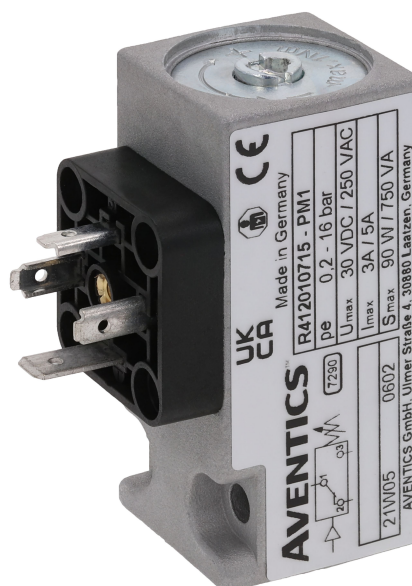
Pin	Allocation
1	+UB
2	break contact
3	NO (make contact)
4	GND

Pressure Switches, Series PM1

R412010715

Series PM1

- Operating pressure -[[0,9]bar] ... [[16]bar]
- Diaphragm, spring loaded, adjustable
- Cable
- EN 175301-803, form A
- M12x1



Technical information

Industry
Industrial

Function
change-over contact (mechanical)

Operating voltage DC, max.
30 V DC

Type
Mechanical

Type
Diaphragm, spring loaded, adjustable

Mounting orientation
Any

Operating pressure min
0.2 bar

Operating pressure max
16 bar

Compressed air connection type
Flange with O-ring

Compressed air connection
Ø 5x1,5

Working pressure min.
0.2 bar

Working pressure max
3 bar

Min. ambient temperature
-20 °C

Max. ambient temperature
80 °C

Min. medium temperature
-10 °C

Max. medium temperature
80 °C

Medium
Compressed air
Hydraulic oil

Measurement
Relative pressure

Switching element
microswitch (input/output)

Protection against overpressure
[[80] bar]

Max. switching frequency
1,5 Hz

Shock resistance max.
15 g

Vibration resistance
10 g (60 - 500 Hz)

Repetitive precision
 $\pm 2 \%$

Switching point
adjustable

Hysteresis
max. switching pressure difference

Operating voltage DC, min.
12 V DC

Operating voltage AC, min.
12 V AC

Operational voltage AC, max.
250 V AC

Power supply connection
Without valve plug connector

Mounting types
via through holes

Protection class
IP65

Electrical connection
Plug

Electrical connection
EN 175301-803, form A

Weight
0.13 kg

Material

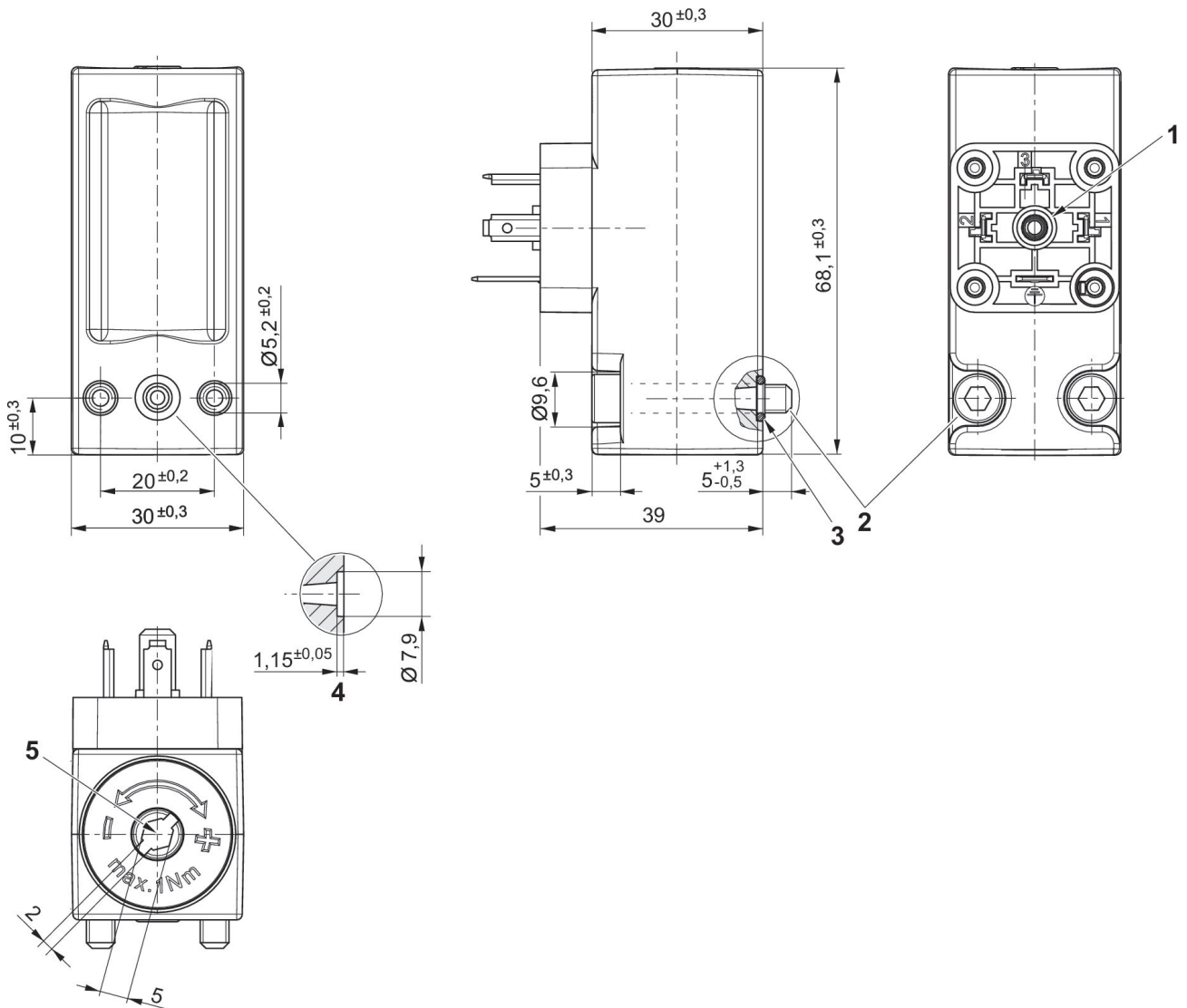
Housing material
Aluminum

Seal material
Acrylonitrile butadiene rubber

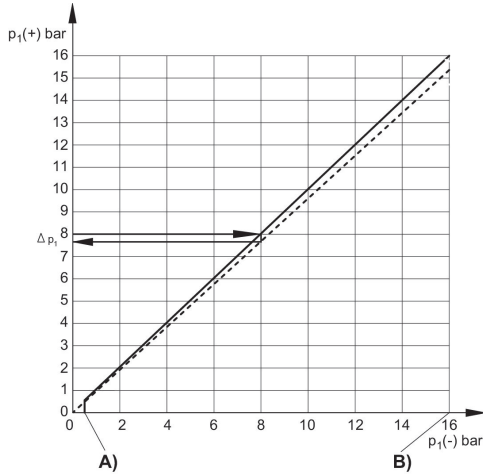
Material electrical connection
Brass

Part No.
R412010715

Dimensions

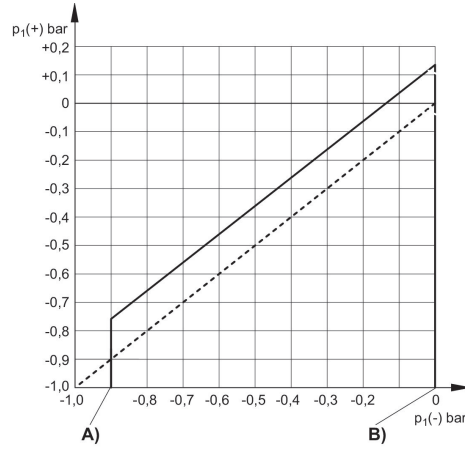


differential switching pressure characteristic curve (0,2 - 16 bar)



A) p1 (-), min.
B) p1 (-), max.
p1 (+) = upper switching pressure with increasing pressure
p1 (-) = lower switching pressure with decreasing pressure
 $\Delta p1$ = max. operating pressure difference or hysteresis#Example:#p1 (+) = 8 bar > p1(-) = 7.6 bar# $\Delta p1 = 0.4$ bar

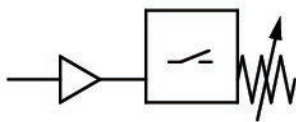
differential switching pressure characteristic curve (-0,9 – 0 bar)



A) p1 (-), min.
B) p1 (-), max.
p1 (+) = upper switching pressure with increasing pressure
p1 (-) = lower switching pressure with decreasing pressure

max. permissible continuous current I
max. [A] with inductive load

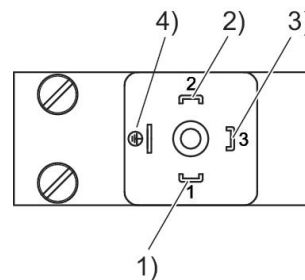
U [V]	I [A] 1) 3)	I [A] 2) 4)
30	3	2
48	3	0.55
60	3	0.4
125	3	0.15
250	3	-



max. permissible continuous current I
max. [A] with ohmic load

U [V]	I [A] 1)	I [A] 2)
30	5	3
48	5	1,2
60	5	0,8
125	5	0,4
250	5	-

PIN assignment for valve plug connectors



Pin	Allocation
1	+UB
2	break contact
3	NO (make contact)
4	GND

Pressure Switches, Series PM1

R412010718

Series PM1

- Operating pressure -[[0,9]bar] ... [[16]bar]
- Diaphragm, spring loaded, adjustable
- Cable
- EN 175301-803, form A
- M12x1



Technical information

Industry
Industrial

Function
change-over contact (mechanical)

Operating voltage DC, max.
30 V DC

Type
Mechanical

Type
Diaphragm, spring loaded, adjustable

Mounting orientation
Any

Operating pressure min
0.2 bar

Operating pressure max
16 bar

Compressed air connection type
Flange with O-ring

Compressed air connection
Ø 5x1,5

Working pressure min.
0.5 bar

Working pressure max
8 bar

Min. ambient temperature
-20 °C

Max. ambient temperature
80 °C

Min. medium temperature
-10 °C

Max. medium temperature
80 °C

Medium
Compressed air
Hydraulic oil

Measurement
Relative pressure

Switching element
microswitch (input/output)

Protection against overpressure
[[80] bar]

Max. switching frequency
1,5 Hz

Shock resistance max.
15 g

Vibration resistance
10 g (60 - 500 Hz)

Repetitive precision
 $\pm 2 \%$

Switching point
adjustable

Hysteresis
max. switching pressure difference

Operating voltage DC, min.
12 V DC

Operating voltage AC, min.
12 V AC

Operational voltage AC, max.
250 V AC

Power supply connection
With valve plug connector

Mounting types
via through holes

Protection class
IP65

Electrical connection
Plug

Electrical connection
EN 175301-803, form A

Weight
0.13 kg

Material

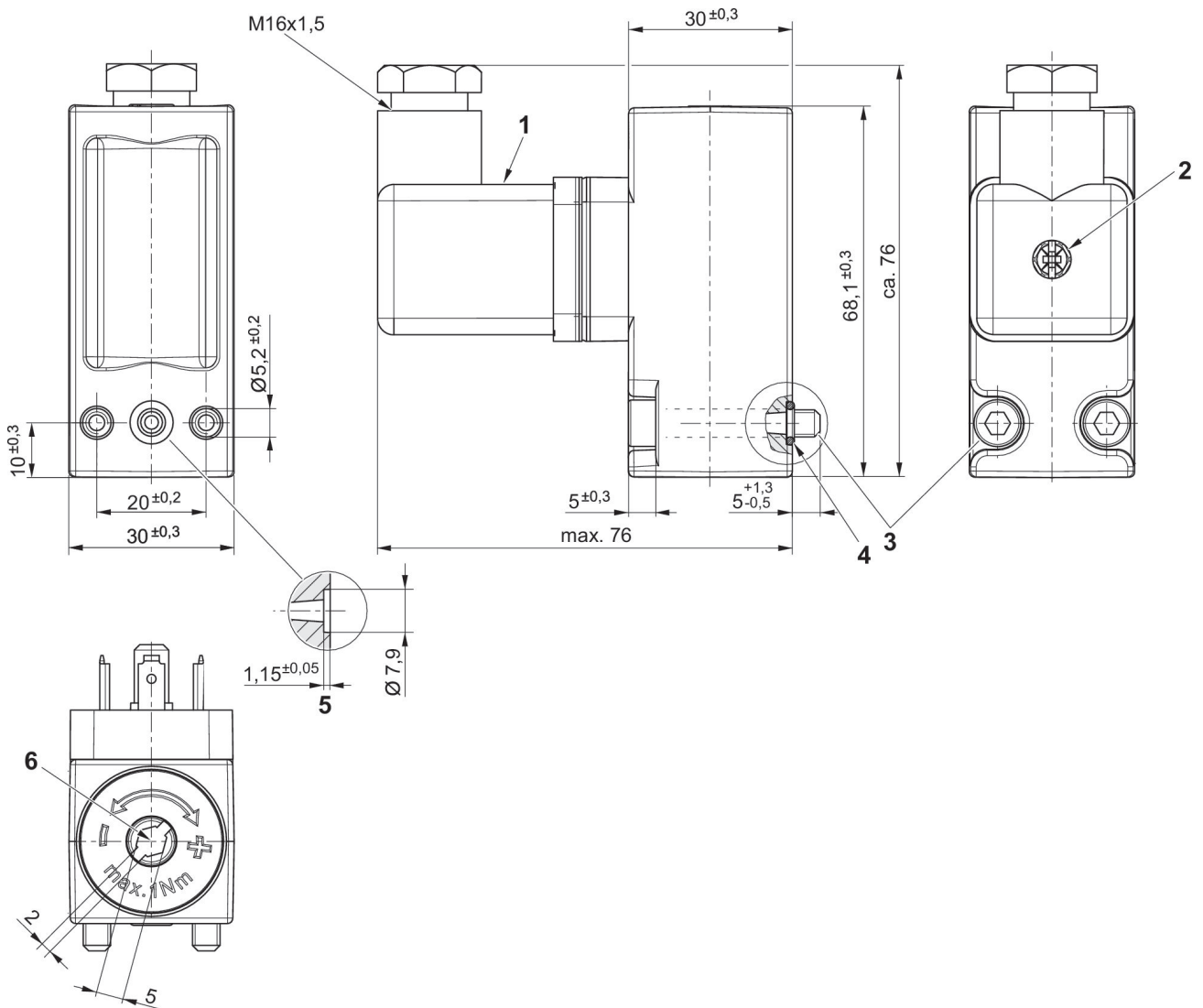
Housing material
Aluminum

Seal material
Acrylonitrile butadiene rubber

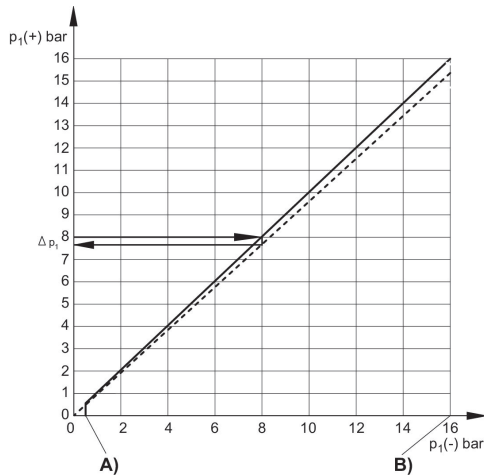
Material electrical connection
Brass

Part No.
R412010718

Dimensions

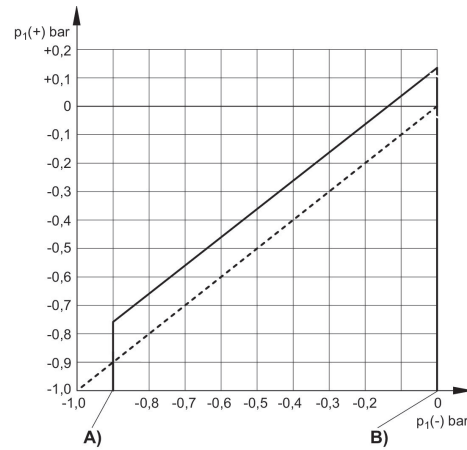


differential switching pressure characteristic curve (0,2 - 16 bar)



A) p1 (-), min.
B) p1 (-), max.
p1 (+) = upper switching pressure with increasing pressure
p1 (-) = lower switching pressure with decreasing pressure
 $\Delta p1$ = max. operating pressure difference or hysteresis#Example:#p1 (+) = 8 bar > p1(-) = 7.6 bar# $\Delta p1 = 0.4$ bar

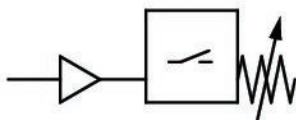
differential switching pressure characteristic curve (-0,9 – 0 bar)



A) p1 (-), min.
B) p1 (-), max.
p1 (+) = upper switching pressure with increasing pressure
p1 (-) = lower switching pressure with decreasing pressure

max. permissible continuous current I max. [A] with inductive load

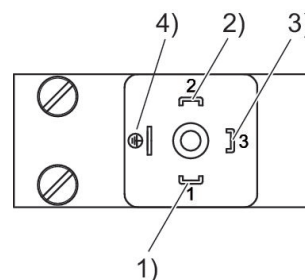
U [V]	I [A] 1) 3)	I [A] 2) 4)
30	3	2
48	3	0.55
60	3	0.4
125	3	0.15
250	3	-



max. permissible continuous current I max. [A] with ohmic load

U [V]	I [A] 1)	I [A] 2)
30	5	3
48	5	1,2
60	5	0,8
125	5	0,4
250	5	-

PIN assignment for valve plug connectors



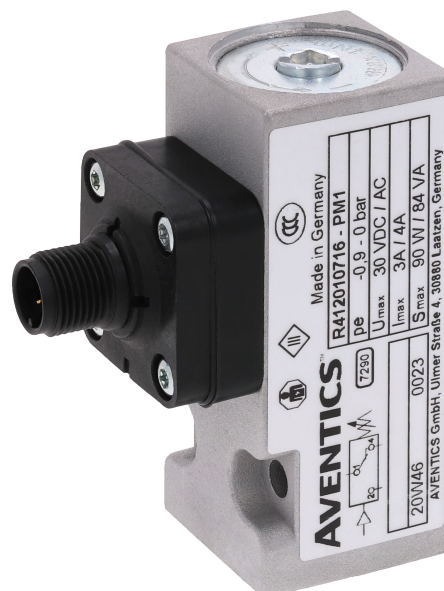
Pin	Allocation
1	+UB
2	break contact
3	NO (make contact)
4	GND

Pressure Switches, Series PM1

R412010716

Series PM1

- Operating pressure -[[0,9]bar] ... [[16]bar]
- Diaphragm, spring loaded, adjustable
- Cable
- EN 175301-803, form A
- M12x1



Technical information

Industry
Industrial

Function
change-over contact (mechanical)

Operating voltage DC, max.
30 V DC

Type
Mechanical

Type
Diaphragm, spring loaded, adjustable

Mounting orientation
Any

Operating pressure min
-0.9 bar

Operating pressure max
0 bar

Compressed air connection type
Internal thread

Compressed air connection
G 1/4

Working pressure min.
-0.9 bar

Working pressure max
0 bar

Min. ambient temperature
-20 °C

Max. ambient temperature
80 °C

Min. medium temperature
-10 °C

Max. medium temperature
80 °C

Medium
Compressed air
Hydraulic oil

Measurement
Relative pressure

Switching element
microswitch (input/output)

Protection against overpressure
[[80] bar]

Max. switching frequency
1,5 Hz

Shock resistance max.
15 g

Vibration resistance
10 g (60 - 500 Hz)

Repetitive precision
± 2 %

Switching point
adjustable

Hysteresis
max. switching pressure difference

Operating voltage DC, min.
12 V DC

Operating voltage AC, min.
12 V AC

Operational voltage AC, max.
30 V AC

Mounting types
via through holes

Protection class
IP67

Electrical connection
Plug

Electrical connection
M12x1

Weight
0.13 kg

Material

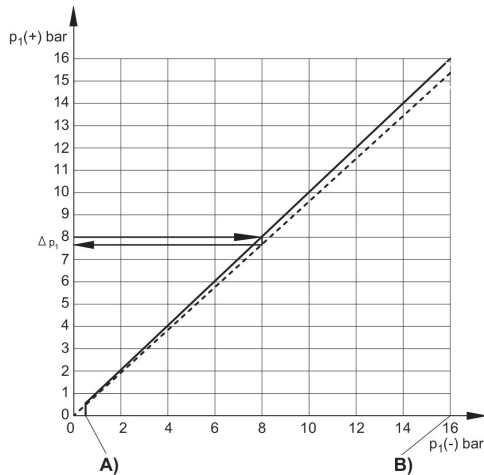
Housing material
Aluminum

Seal material
Acrylonitrile butadiene rubber

Material electrical connection
Brass

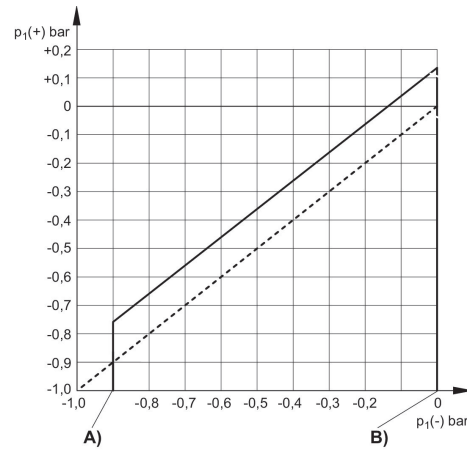
Part No.
R412010716

differential switching pressure characteristic curve (0,2 - 16 bar)



A) p1 (-), min.
B) p1 (-), max.
p1 (+) = upper switching pressure with increasing pressure
p1 (-) = lower switching pressure with decreasing pressure
Δ p1 = max. operating pressure difference or hysteresis#Example:#p1 (+) = 8 bar > p1(-) = 7.6 bar#Δ p1 = 0.4 bar

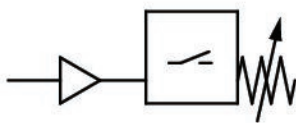
differential switching pressure characteristic curve (-0,9 – 0 bar)



A) p1 (-), min.
B) p1 (-), max.
p1 (+) = upper switching pressure with increasing pressure
p1 (-) = lower switching pressure with decreasing pressure

max. permissible continuous current I max. [A] with inductive load

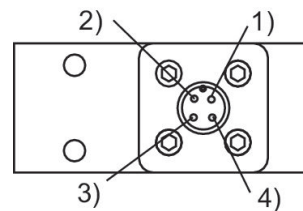
U [V]	I [A] 1) 3)	I [A] 2) 4)
30-250	3A	-
30 / 48 / 60 / 125	-	2 / 0,55 / 0,4 / 0,2



max. permissible continuous current I max. [A] with ohmic load

U [V]	I [A] 1)	I [A] 2)
30-250	3A	-
30 / 48 / 60 / 125	-	3 / 1,2 / 0,8 / 0,4

Pin assignments



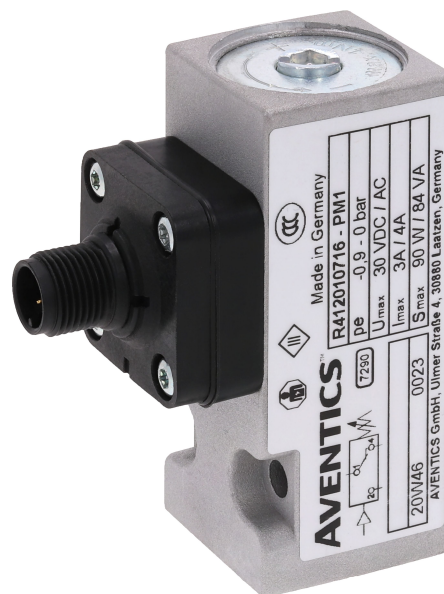
Pin	Allocation
1	+UB
2	break contact
3	No function
4	NO (make contact)

Pressure Switches, Series PM1

R412010717

Series PM1

- Operating pressure -[[0,9]bar] ... [[16]bar]
- Diaphragm, spring loaded, adjustable
- Cable
- EN 175301-803, form A
- M12x1



Technical information

Industry
Industrial

Function
change-over contact (mechanical)

Operating voltage DC, max.
30 V DC

Type
Mechanical

Type
Diaphragm, spring loaded, adjustable

Mounting orientation
Any

Operating pressure min
0.2 bar

Operating pressure max
16 bar

Compressed air connection type
Internal thread

Compressed air connection
G 1/4

Working pressure min.
0.5 bar

Working pressure max
16 bar

Min. ambient temperature
-20 °C

Max. ambient temperature
80 °C

Min. medium temperature
-10 °C

Max. medium temperature
80 °C

Medium
Compressed air
Hydraulic oil

Measurement
Relative pressure

Switching element
microswitch (input/output)

Protection against overpressure
[[80] bar]

Max. switching frequency
1,5 Hz

Shock resistance max.
15 g

Vibration resistance
10 g (60 - 500 Hz)

Repetitive precision
± 2 %

Switching point
adjustable

Hysteresis
max. switching pressure difference

Operating voltage DC, min.
12 V DC

Operating voltage AC, min.
12 V AC

Operational voltage AC, max.
30 V AC

Mounting types
via through holes

Protection class
IP67

Electrical connection
Plug

Electrical connection
M12x1

Weight
0.13 kg

Material

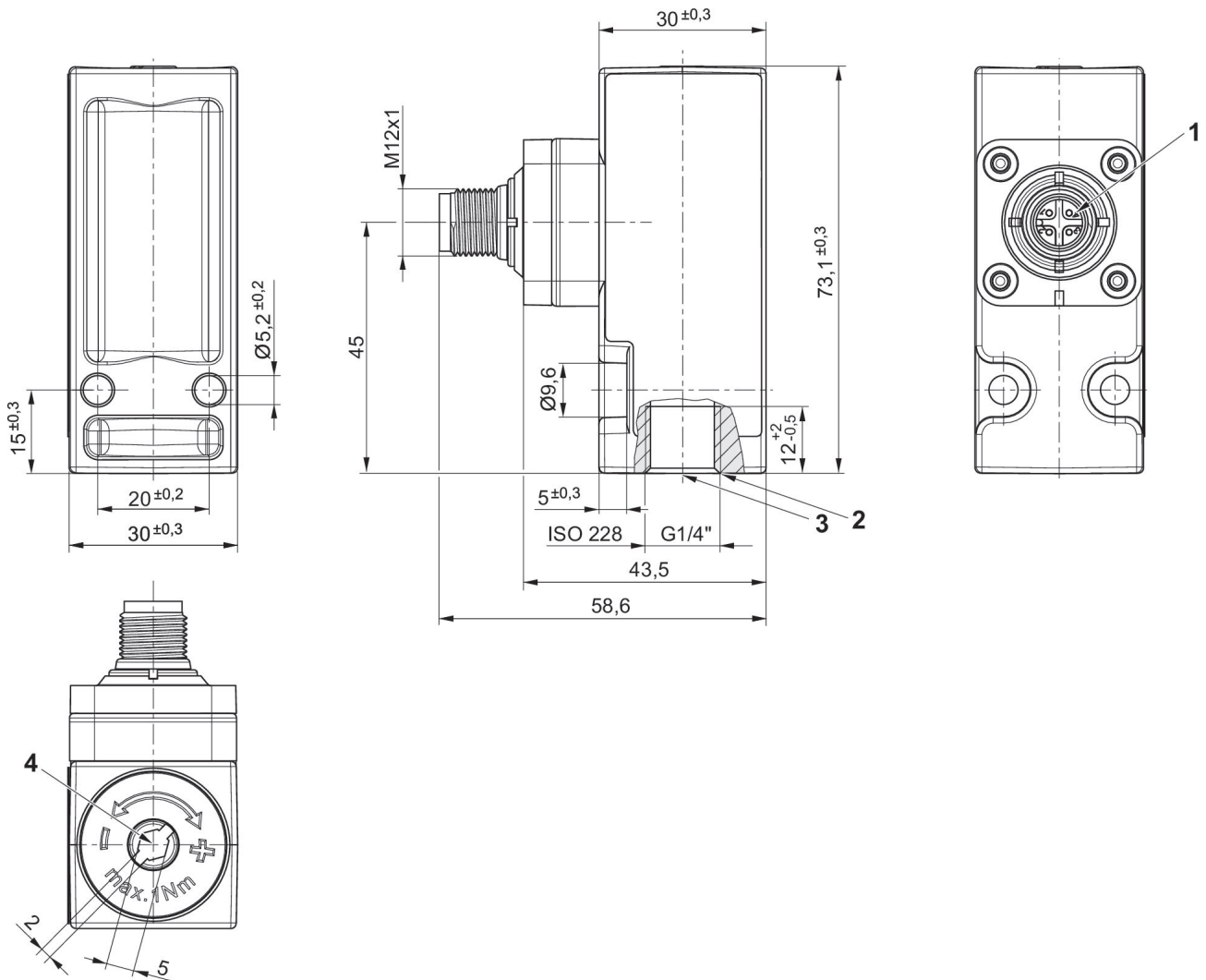
Housing material
Aluminum

Seal material
Acrylonitrile butadiene rubber

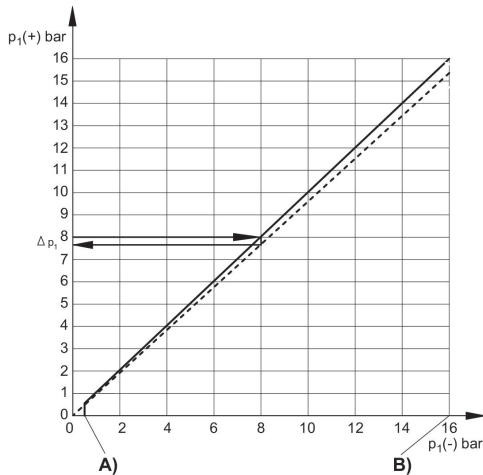
Material electrical connection
Brass

Part No.
R412010717

Dimensions

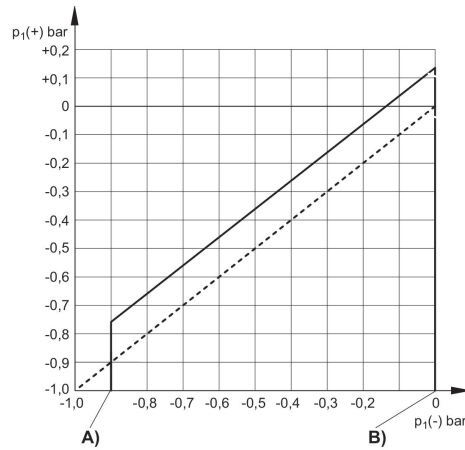


differential switching pressure characteristic curve (0,2 - 16 bar)



A) p1 (-), min.
B) p1 (-), max.
p1 (+) = upper switching pressure with increasing pressure
p1 (-) = lower switching pressure with decreasing pressure
Δ p1 = max. operating pressure difference or hysteresis#Example:#p1 (+) = 8 bar > p1(-) = 7.6 bar#Δ p1 = 0.4 bar

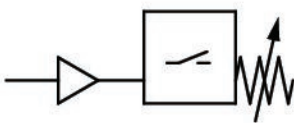
differential switching pressure characteristic curve (-0,9 – 0 bar)



A) p1 (-), min.
B) p1 (-), max.
p1 (+) = upper switching pressure with increasing pressure
p1 (-) = lower switching pressure with decreasing pressure

max. permissible continuous current I max. [A] with inductive load

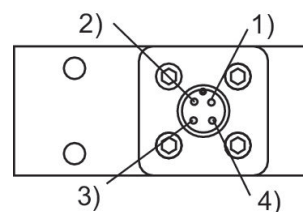
U [V]	I [A] 1) 3)	I [A] 2) 4)
30-250	3A	-
30 / 48 / 60 / 125	-	2 / 0,55 / 0,4 / 0,2



max. permissible continuous current I max. [A] with ohmic load

U [V]	I [A] 1)	I [A] 2)
30-250	3A	-
30 / 48 / 60 / 125	-	3 / 1,2 / 0,8 / 0,4

Pin assignments



Pin	Allocation
1	+UB
2	break contact
3	No function
4	NO (make contact)

Pressure Switches, Series PM1

R412010719

Series PM1

- Operating pressure -[[0,9]bar] ... [[16]bar]
- Diaphragm, spring loaded, adjustable
- Cable
- EN 175301-803, form A
- M12x1



Technical information

Industry
Industrial

Function
change-over contact (mechanical)

Operating voltage DC, max.
30 V DC

Type
Mechanical

Type
Diaphragm, spring loaded, adjustable

Mounting orientation
Any

Operating pressure min
-0.9 bar

Operating pressure max
0 bar

Compressed air connection type
Flange with O-ring

Compressed air connection
Ø 5x1,5

Working pressure min.
-0.9 bar

Working pressure max
0 bar

Min. ambient temperature
-20 °C

Max. ambient temperature
80 °C

Min. medium temperature
-10 °C

Max. medium temperature
80 °C

Medium
Compressed air
Hydraulic oil

Measurement
Relative pressure

Switching element
microswitch (input/output)

Protection against overpressure
[[80] bar]

Max. switching frequency
1,5 Hz

Shock resistance max.
15 g

Vibration resistance
10 g (60 - 500 Hz)

Repetitive precision
± 2 %

Switching point
adjustable

Hysteresis
max. switching pressure difference

Operating voltage DC, min.
12 V DC

Operating voltage AC, min.
12 V AC

Operational voltage AC, max.
30 V AC

Mounting types
via through holes

Protection class
IP67

Electrical connection
Plug

Electrical connection
M12x1

Weight
0.13 kg

Material

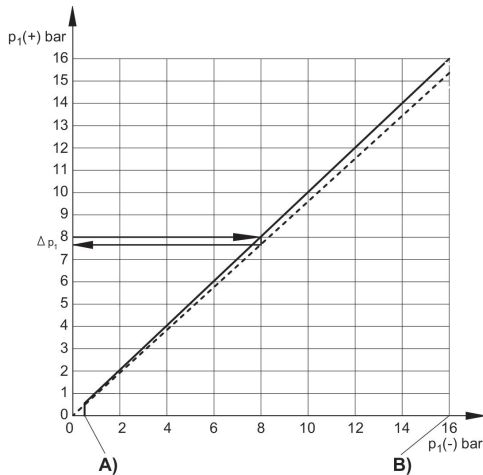
Housing material
Aluminum

Seal material
Acrylonitrile butadiene rubber

Material electrical connection
Brass

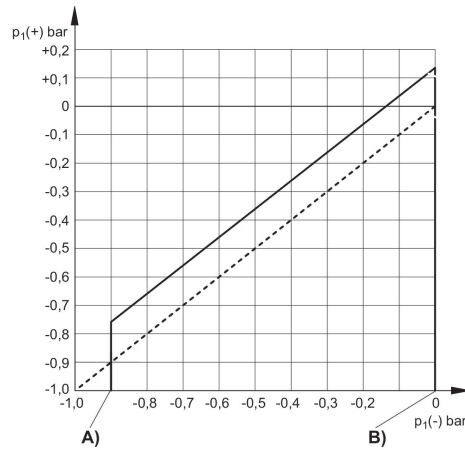
Part No.
R412010719

differential switching pressure characteristic curve (0,2 - 16 bar)



A) p1 (-), min.
B) p1 (-), max.
p1 (+) = upper switching pressure with increasing pressure
p1 (-) = lower switching pressure with decreasing pressure
Δ p1 = max. operating pressure difference or hysteresis#Example:#p1 (+) = 8 bar > p1(-) = 7.6 bar#Δ p1 = 0.4 bar

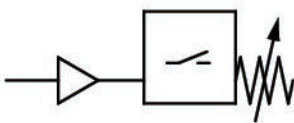
differential switching pressure characteristic curve (-0,9 – 0 bar)



A) p1 (-), min.
B) p1 (-), max.
p1 (+) = upper switching pressure with increasing pressure
p1 (-) = lower switching pressure with decreasing pressure

max. permissible continuous current I max. [A] with inductive load

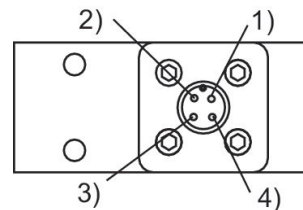
U [V]	I [A] 1) 3)	I [A] 2) 4)
30-250	3A	-
30 / 48 / 60 / 125	-	2 / 0,55 / 0,4 / 0,2



max. permissible continuous current I max. [A] with ohmic load

U [V]	I [A] 1)	I [A] 2)
30-250	3A	-
30 / 48 / 60 / 125	-	3 / 1,2 / 0,8 / 0,4

Pin assignments



Pin	Allocation
1	+UB
2	break contact
3	No function
4	NO (make contact)

Pressure Switches, Series PM1

R412010720

Series PM1

- Operating pressure -[[0,9]bar] ... [[16]bar]
- Diaphragm, spring loaded, adjustable
- Cable
- EN 175301-803, form A
- M12x1



Technical information

Industry
Industrial

Function
change-over contact (mechanical)

Operating voltage DC, max.
30 V DC

Type
Mechanical

Type
Diaphragm, spring loaded, adjustable

Mounting orientation
Any

Operating pressure min
0.2 bar

Operating pressure max
16 bar

Compressed air connection type
Flange with O-ring

Compressed air connection
Ø 5x1,5

Working pressure min.
0.2 bar

Working pressure max
3 bar

Min. ambient temperature
-20 °C

Max. ambient temperature
80 °C

Min. medium temperature
-10 °C

Max. medium temperature
80 °C

Medium
Compressed air
Hydraulic oil

Measurement
Relative pressure

Switching element
microswitch (input/output)

Protection against overpressure
[[80] bar]

Max. switching frequency
1,5 Hz

Shock resistance max.
15 g

Vibration resistance
10 g (60 - 500 Hz)

Repetitive precision
± 2 %

Switching point
adjustable

Hysteresis
max. switching pressure difference

Operating voltage DC, min.
12 V DC

Operating voltage AC, min.
12 V AC

Operational voltage AC, max.
30 V AC

Mounting types
via through holes

Protection class
IP67

Electrical connection
Plug

Electrical connection
M12x1

Weight
0.13 kg

Material

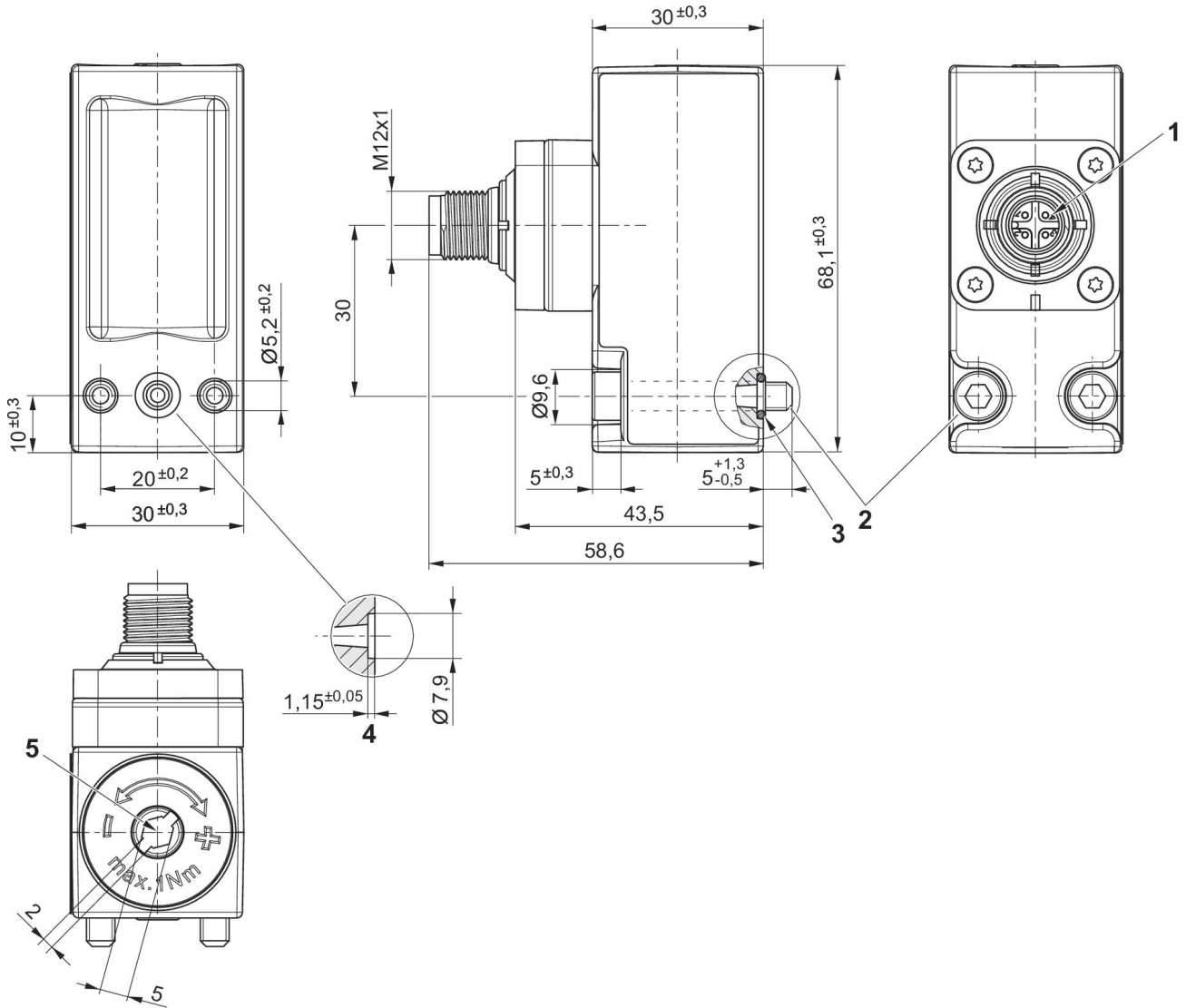
Housing material
Aluminum

Seal material
Acrylonitrile butadiene rubber

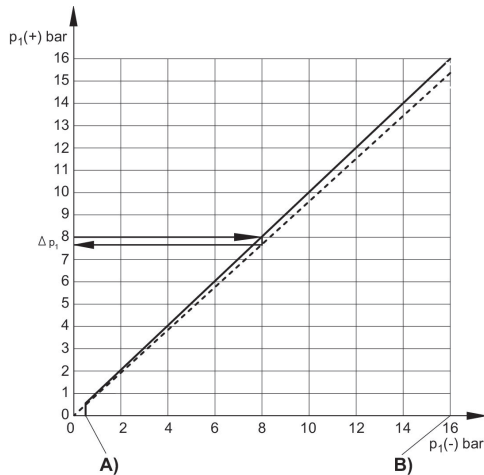
Material electrical connection
Brass

Part No.
R412010720

Dimensions

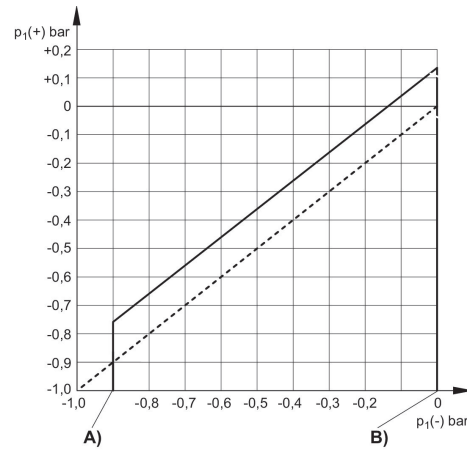


differential switching pressure characteristic curve (0,2 - 16 bar)



A) p1 (-), min.
B) p1 (-), max.
p1 (+) = upper switching pressure with increasing pressure
p1 (-) = lower switching pressure with decreasing pressure
Δ p1 = max. operating pressure difference or hysteresis#Example:#p1 (+) = 8 bar > p1(-) = 7.6 bar#Δ p1 = 0.4 bar

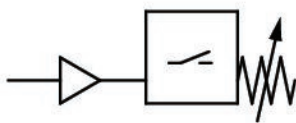
differential switching pressure characteristic curve (-0,9 – 0 bar)



A) p1 (-), min.
B) p1 (-), max.
p1 (+) = upper switching pressure with increasing pressure
p1 (-) = lower switching pressure with decreasing pressure

max. permissible continuous current I max. [A] with inductive load

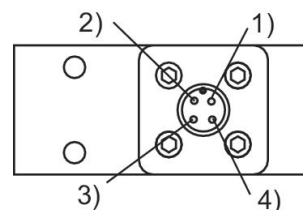
U [V]	I [A] 1) 3)	I [A] 2) 4)
30-250	3A	-
30 / 48 / 60 / 125	-	2 / 0,55 / 0,4 / 0,2



max. permissible continuous current I max. [A] with ohmic load

U [V]	I [A] 1)	I [A] 2)
30-250	3A	-
30 / 48 / 60 / 125	-	3 / 1,2 / 0,8 / 0,4

Pin assignments



Pin	Allocation
1	+UB
2	break contact
3	No function
4	NO (make contact)

Efficient pneumatic solutions, our program: cylinders and drives, valves and valve systems, air supply management



Visit us: Emerson.com/Aventics

Your local contact: Emerson.com/contactus



Emerson.com



Facebook.com/EmersonAutomationSolutions



LinkedIn.com/company/Emerson-Automation-Solutions



Twitter.com/EMR_Automation

An example configuration is depicted on the title page. The delivered product may thus vary from that in the illustration. Subject to change. This Document, as well as the data, specifications and other information set forth in it, are the exclusive property of AVENTICS GmbH. It may not be reproduced or given to third parties without its consent. Only use the AVENTICS products shown in industrial applications. Read the product documentation completely and carefully before using the product. Observe the applicable regulations and laws of the respective country. When integrating the product into applications, note the system manufacturer's specifications for safe use of the product. The data specified only serve to describe the product. No statements concerning a certain condition or suitability for a certain application can be derived from our information. The information given does not release the user from the obligation of own judgment and verification. It must be remembered that the products are subject to a natural process of wear and aging.

The Emerson logo is a trademark and service mark of Emerson Electric Co. Brand logotype are registered trademarks of one of the Emerson family of companies. All other marks are the property of their respective owners. © 2017 Emerson Electric Co. All rights reserved.
2019-03



CONSIDER IT SOLVED™



青岛秉诚自动化设备有限公司
地址：中国·青岛市重庆南路99号海尔云街甲3号楼7F

服务热线：4006-918-365
网址：<http://www.ivalve.cc>

传真：(86-532)585-10-365
Email：sales@bechinas.com