

Series QR1 - Inch



AVENTICS™ Series QR1 - Inch

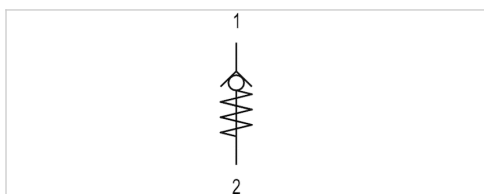


Non-return valve, Series QR1-ANR

- push-in fitting
- Ø5/32 Ø5/16 Ø1/4 Ø 3/8 Ø1/2
- External thread
- 10-32 UNF 1/8 NPT 1/4 NPT 3/8 NPT 1/2 NPT



Version	Poppet valve
Working pressure min./max.	0.828 ... 10 bar
Ambient temperature min./max.	0 ... 60 °C
Medium temperature min./max.	0 ... 60 °C
Medium	Compressed air
Weight	See table below



Technical data

Part No.	Port 1	Port 2	Delivery unit	Weight
R432000424	Ø5/32	10-32 UNF	5 piece	0.014 kg
R432000423	Ø5/32	1/8 NPT	5 piece	0.014 kg
R432000422	Ø5/16	1/8 NPT	5 piece	0.014 kg
R432000417	Ø1/4	1/8 NPT	5 piece	0.014 kg
R432000418	Ø1/4	1/4 NPT	5 piece	0.023 kg
R432000421	Ø1/4	1/4 NPT	5 piece	0.023 kg
R432000419	Ø 3/8	3/8 NPT	5 piece	0.023 kg
R432000415	Ø1/2	3/8 NPT	2 piece	0.036 kg
R432000420	Ø 3/8	1/2 NPT	2 piece	0.027 kg
R432000416	Ø1/2	1/2 NPT	2 piece	0.027 kg

Technical information

Flow direction from tubing to threads

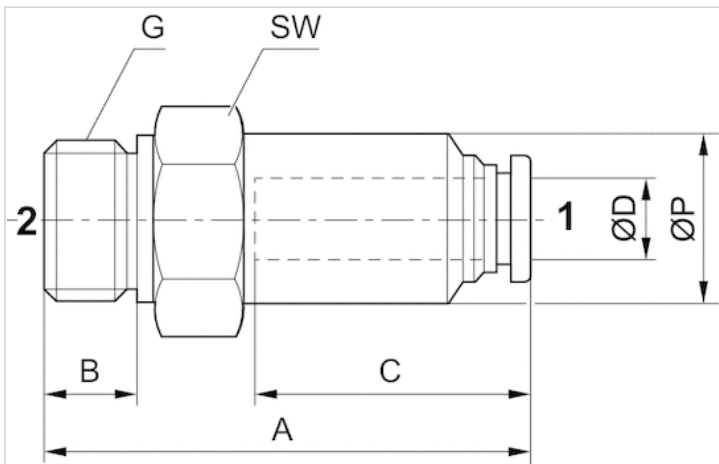
Technical information

Material

Housing	Brass, nickel-plated
Seals	Acrylonitrile butadiene rubber

Dimensions

Dimensions in inches



Dimensions

Part No.	G	Ø D	A	B	C	SW	Ø P
R432000424	Ø5/32	10-32 UNF	1.182	0.217	0.63	7/16	0.394
R432000423	Ø5/32	1/8 NPT	1.221	0.315	0.63	7/16	0.394
R432000422	Ø5/16	1/8 NPT	1.127	0.315	0.729	9/16	0.406
R432000417	Ø1/4	1/8 NPT	0.973	0.315	0.67	1/2	0.473
R432000418	Ø1/4	1/4 NPT	1.127	0.433	0.67	1/2	0.511
R432000421	Ø1/4	1/4 NPT	1.127	0.433	0.729	9/16	0.406
R432000419	Ø 3/8	3/8 NPT	2.45	0.473	0.827	11/16	0.989
R432000415	Ø1/2	3/8 NPT	2.537	0.473	0.887	7/8	0.985
R432000420	Ø 3/8	1/2 NPT	2.466	0.591	0.827	7/8	1.103
R432000416	Ø1/2	1/2 NPT	2.778	0.591	0.887	7/8	1.103

Blocking valve, Series QR1-AAN

- Qn 1►2 = 300 l/min
- External thread
- 1/8 NPT 1/4 NPT 3/8 NPT 1/2 NPT
- push-in fitting
- Ø5/32 Ø1/4 Ø5/16 Ø 3/8 Ø1/2



Version	Poppet valve
Working pressure min./max.	0 ... 10 bar
Ambient temperature min./max.	0 ... 60 °C
Medium temperature min./max.	0 ... 60 °C
Medium	Compressed air
Weight	See table below



Technical data

Part No.	Port 1	Port 2	Flow	Delivery unit	Weight
			Qn 1►2		
R432000442	1/8 NPT	Ø5/32	300 l/min	10 piece	0.009 kg
R432000436	1/8 NPT	Ø1/4	300 l/min	10 piece	0.014 kg
R432000437	1/4 NPT	Ø1/4	300 l/min	10 piece	0.014 kg
R432000440	1/4 NPT	Ø5/16	300 l/min	10 piece	0.018 kg
R432000441	3/8 NPT	Ø5/16	300 l/min	10 piece	0.036 kg
R432000438	3/8 NPT	Ø 3/8	300 l/min	10 piece	0.041 kg
R432000434	3/8 NPT	Ø1/2	300 l/min	10 piece	0.059 kg
R432000439	1/2 NPT	Ø 3/8	300 l/min	10 piece	0.059 kg
R432000435	1/2 NPT	Ø1/2	300 l/min	10 piece	0.068 kg

Nominal flow Qn at 6 bar and $\Delta p = 1$ bar

Technical information

When connecting/disconnecting the compressed air tubing and shut-off valve, the flow is released/blocked.

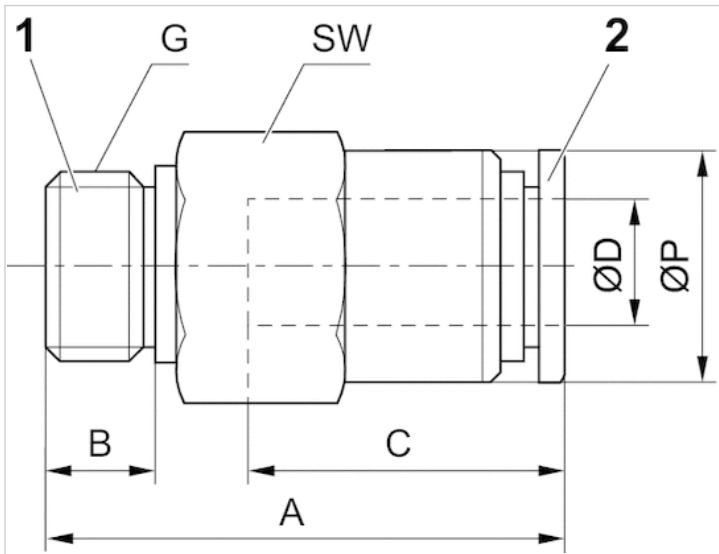
Technical information

Material

Housing	Brass, nickel-plated
Seals	Acrylonitrile butadiene rubber

Dimensions

Dimensions in inches



Dimensions

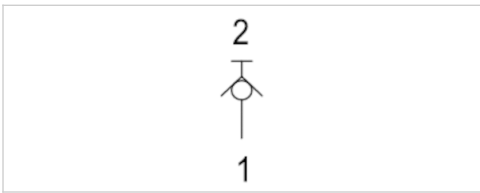
Part No.	G	Ø D	A	B	C	SW	Ø P
R432000442	1/8 NPT	Ø5/32	1.004	0.315	0.63	7/16	0.394
R432000436	1/8 NPT	Ø1/4	1.095	0.315	0.67	1/2	0.473
R432000437	1/4 NPT	Ø1/4	1.095	0.433	0.67	9/16	0.552
R432000440	1/4 NPT	Ø5/16	1.253	0.433	0.729	9/16	0.552
R432000441	3/8 NPT	Ø5/16	1.253	0.473	0.729	11/16	0.67
R432000438	3/8 NPT	Ø 3/8	1.422	0.473	0.827	11/16	0.67
R432000434	3/8 NPT	Ø1/2	1.749	0.473	0.887	7/8	0.796
R432000439	1/2 NPT	Ø 3/8	1.422	0.591	0.827	7/8	0.709
R432000435	1/2 NPT	Ø1/2	1.741	0.591	0.887	7/8	0.796

Blocking valve, Series QR1-AVT

- Qn 1►2 = 300 l/min
- External thread
- 10-32 UNF 1/8 NPT 1/4 NPT 3/8 NPT 1/2 NPT
- push-in fitting
- Ø5/32 Ø1/4 Ø5/16 Ø 3/8 Ø1/2



Version	Poppet valve
Working pressure min./max.	0 ... 10 bar
Ambient temperature min./max.	0 ... 60 °C
Medium temperature min./max.	0 ... 60 °C
Medium	Compressed air
Weight	See table below



Technical data

Part No.	Port 1	Port 2	Flow	Delivery unit	Weight
			Qn 1►2		
R432000456	10-32 UNF	Ø5/32	300 l/min	10 piece	0.018 kg
R432000448	10-32 UNF	Ø1/4	300 l/min	10 piece	0.018 kg
R432000455	1/8 NPT	Ø5/32	300 l/min	10 piece	0.018 kg
R432000446	1/8 NPT	Ø1/4	300 l/min	10 piece	0.023 kg
R432000452	1/8 NPT	Ø5/16	300 l/min	10 piece	0.023 kg
R432000447	1/4 NPT	Ø1/4	300 l/min	10 piece	0.032 kg
R432000453	1/4 NPT	Ø5/16	300 l/min	5 piece	0.027 kg
R432000449	1/4 NPT	Ø 3/8	300 l/min	5 piece	0.059 kg
R432000454	3/8 NPT	Ø5/16	300 l/min	5 piece	0.041 kg
R432000450	3/8 NPT	Ø 3/8	300 l/min	5 piece	0.068 kg
R432000444	3/8 NPT	Ø1/2	300 l/min	5 piece	0.091 kg
R432000451	1/2 NPT	Ø 3/8	300 l/min	5 piece	0.082 kg
R432000445	1/2 NPT	Ø1/2	300 l/min	5 piece	0.1 kg

Nominal flow Qn at 6 bar and $\Delta p = 1$ bar

Technical information

When connecting/disconnecting the compressed air tubing and shut-off valve, the flow is released/blocked.

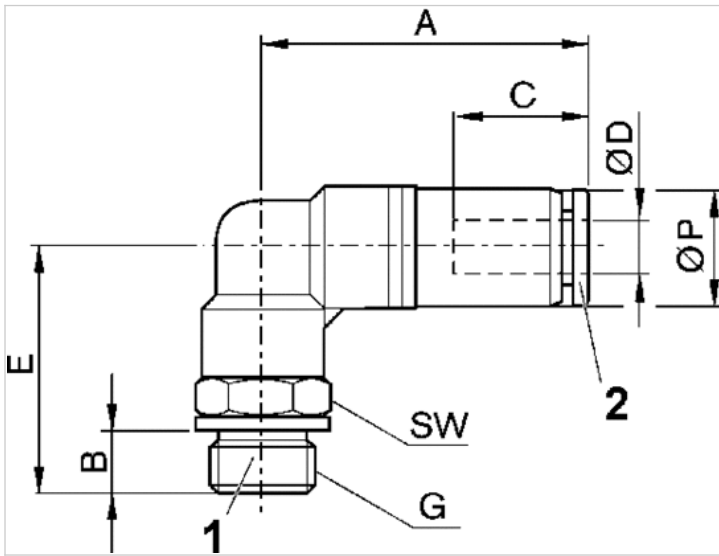
Technical information

Material

Housing	Brass, nickel-plated
Seals	Acrylonitrile butadiene rubber

Dimensions

Dimensions in inches



Dimensions

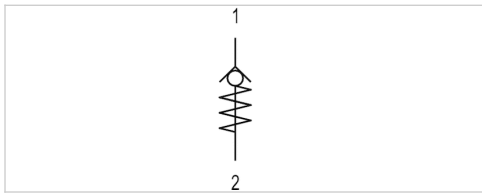
Part No.	G	Ø D	A	B	C	E	SW	Ø P
R432000456	10-32 UNF	Ø5/32	1.21	0.217	0.63	0.871	7/16	0.411
R432000448	10-32 UNF	Ø1/4	1.257	0.217	0.67	0.89	1/2	0.489
R432000455	1/8 NPT	Ø5/32	1.21	0.315	0.63	0.969	7/16	0.411
R432000446	1/8 NPT	Ø1/4	1.257	0.315	0.67	0.945	1/2	0.489
R432000452	1/8 NPT	Ø5/16	1.608	0.315	0.729	1.064	9/16	0.567
R432000447	1/4 NPT	Ø1/4	1.257	0.433	0.67	1.103	9/16	0.489
R432000453	1/4 NPT	Ø5/16	1.608	0.433	0.729	1.221	9/16	0.567
R432000449	1/4 NPT	Ø 3/8	1.875	0.433	0.827	1.379	11/16	0.693
R432000454	3/8 NPT	Ø5/16	1.608	0.473	0.729	1.261	11/16	0.567
R432000450	3/8 NPT	Ø 3/8	1.875	0.473	0.827	1.418	11/16	0.693
R432000444	3/8 NPT	Ø1/2	2.187	0.473	0.887	1.497	7/8	0.835
R432000451	1/2 NPT	Ø 3/8	1.875	0.591	0.827	1.537	7/8	0.693
R432000445	1/2 NPT	Ø1/2	2.187	0.591	0.887	1.615	7/8	0.835

Non-return valve, Series QR1-SKR

- Qn 1►2 = 280 l/min
- push-in fitting
- Ø5/32 Ø1/4 Ø5/16 Ø 3/8 Ø1/2
- push-in fitting
- Ø5/32 Ø1/4 Ø5/16 Ø 3/8 Ø1/2



Version	Poppet valve
Working pressure min./max.	0.8 ... 10 bar
Ambient temperature min./max.	0 ... 60 °C
Medium temperature min./max.	0 ... 60 °C
Weight	See table below



Technical data

Part No.	Port 1	Port 2	Flow	Sealing material	Delivery unit	Weight
			Qn 1►2			
R432000433	Ø5/32	Ø5/32	280 l/min	Acrylonitrile butadiene rubber	5 piece	0 kg
R432000430	Ø1/4	Ø1/4	280 l/min	Acrylonitrile butadiene rubber	5 piece	0.001 kg
R432000432	Ø5/16	Ø5/16	280 l/min	Acrylonitrile butadiene rubber	5 piece	0.001 kg
R432000431	Ø 3/8	Ø 3/8	280 l/min	Aluminum	2 piece	0.001 kg
R432000429	Ø1/2	Ø1/2	280 l/min	Aluminum	2 piece	0.001 kg

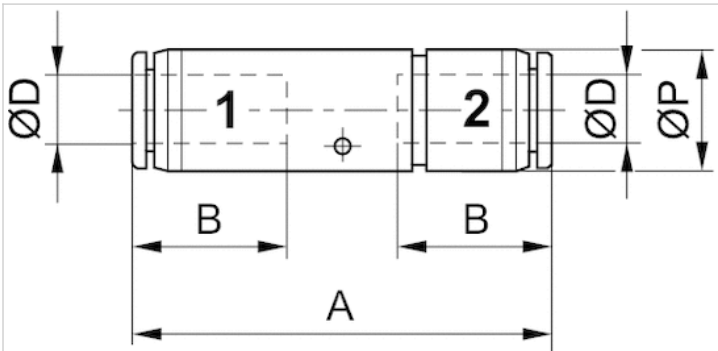
Nominal flow Qn at 6 bar and Δp = 1 bar

Technical information

Material	
Housing	Polybutyleneterephthalate
Seals	Acrylonitrile butadiene rubber Aluminum

Dimensions

Dimensions in inches



Dimensions

Part No.	Ø D	Ø D	A	B	Ø P
R432000433	Ø5/32	Ø5/32	1.407	0.63	0.394
R432000430	Ø1/4	Ø1/4	1.639	0.67	0.489
R432000432	Ø5/16	Ø5/16	2.033	0.729	0.567
R432000431	Ø 3/8	Ø 3/8	3.046	0.827	0.985
R432000429	Ø1/2	Ø1/2	3.152	0.887	0.985

Blocking valve, Series QR1-ASK

- Qn 1→2 = 300 l/min
- push-in fitting
- Ø5/32 Ø1/4 Ø5/16 Ø 3/8 Ø1/2
- push-in fitting
- Ø5/32 Ø1/4 Ø5/16 Ø 3/8 Ø1/2



Version	Poppet valve
Working pressure min./max.	0 ... 10 bar
Ambient temperature min./max.	0 ... 60 °C
Medium temperature min./max.	32 ... 60 °C
Medium	Compressed air
Weight	See table below



Technical data

Part No.	Port 1	Port 2	Flow	Delivery unit	Weight
			Qn 1→2		
R432000461	Ø5/32	Ø5/32	300 l/min	10 piece	0.004 kg
R432000458	Ø1/4	Ø1/4	300 l/min	10 piece	0.009 kg
R432000460	Ø5/16	Ø5/16	300 l/min	10 piece	0.014 kg
R432000459	Ø 3/8	Ø 3/8	300 l/min	10 piece	0.027 kg
R432000457	Ø1/2	Ø1/2	300 l/min	10 piece	0.032 kg

Nominal flow Qn at 6 bar and $\Delta p = 1$ bar

Technical information

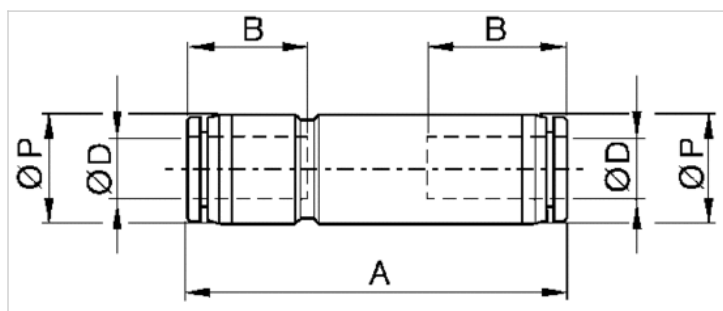
When connecting/disconnecting the compressed air tubing and shut-off valve, the flow is released/blocked.

Technical information

Material	
Housing	Polybutyleneterephthalate
Seals	Acrylonitrile butadiene rubber

Dimensions

Dimensions in inches



Dimensions

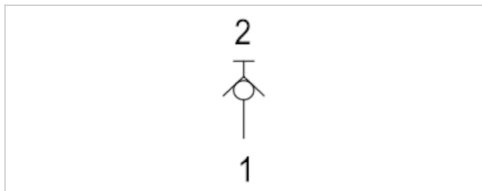
Part No.	Ø D	Ø G	A	B	Ø P
R432000461	Ø5/32	Ø5/32	1.69	0.63	0.394
R432000458	Ø1/4	Ø1/4	1.86	0.67	0.489
R432000460	Ø5/16	Ø5/16	2.072	0.729	0.567
R432000459	Ø 3/8	Ø 3/8	2.38	0.827	0.693
R432000457	Ø1/2	Ø1/2	2.774	0.887	0.835

Blocking valve, Series QR1-ASS

- Qn 1→2 = 300 l/min
- push-in fitting
- Ø5/32 Ø1/4 Ø5/16 Ø 3/8 Ø1/2
- push-in fitting
- Ø5/32 Ø1/4 Ø5/16 Ø 3/8 Ø1/2



Version	Poppet valve
Working pressure min./max.	0 ... 10 bar
Ambient temperature min./max.	0 ... 60 °C
Medium temperature min./max.	0 ... 60 °C
Medium	Compressed air
Weight	See table below



Technical data

Part No.	Port 1	Port 2	Flow	Delivery unit	Weight
			Qn 1→2		
R432000466	Ø5/32	Ø5/32	300 l/min	5 piece	0.009 kg
R432000463	Ø1/4	Ø1/4	300 l/min	5 piece	0.009 kg
R432000465	Ø5/16	Ø5/16	300 l/min	5 piece	0.018 kg
R432000464	Ø 3/8	Ø 3/8	300 l/min	5 piece	0.027 kg
R432000462	Ø1/2	Ø1/2	300 l/min	5 piece	0.036 kg

Nominal flow Qn at 6 bar and Δp = 1 bar

Technical information

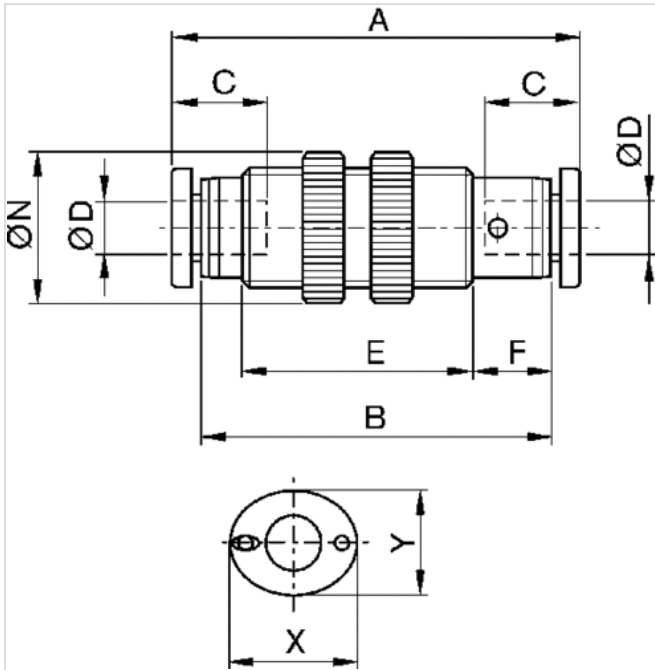
When connecting/disconnecting the compressed air tubing and shut-off valve, the flow is released/blocked.

Technical information

Material	
Housing	Polybutyleneterephthalate
Seals	Acrylonitrile butadiene rubber

Dimensions

Dimensions in inches



Dimensions

Part No.	Ø D	A	B	C	E	F	Ø N	X	Y
R432000466	Ø5/32	1.474	37.4	0.63	-	0.37	0.67	0.473	0.394
R432000463	Ø1/4	1.635	41.5	0.67	-	0.39	0.801	0.552	0.473
R432000465	Ø5/16	1.86	47.2	0.729	-	0.418	0.906	0.63	0.552
R432000464	Ø 3/8	2.124	52.9	0.827	-	0.445	1.143	0.749	0.67
R432000462	Ø1/2	2.494	63.3	0.887	-	0.414	1.261	0.906	0.827

Efficient pneumatic solutions, our program: cylinders and drives, valves and valve systems, air supply management



Visit us: Emerson.com/Aventics

Your local contact: Emerson.com/contactus



Emerson.com



Facebook.com/EmersonAutomationSolutions



LinkedIn.com/company/Emerson-Automation-Solutions



Twitter.com/EMR_Automation

An example configuration is depicted on the title page. The delivered product may thus vary from that in the illustration. Subject to change. This Document, as well as the data, specifications and other information set forth in it, are the exclusive property of AVENTICS GmbH. It may not be reproduced or given to third parties without its consent. Only use the AVENTICS products shown in industrial applications. Read the product documentation completely and carefully before using the product. Observe the applicable regulations and laws of the respective country. When integrating the product into applications, note the system manufacturer's specifications for safe use of the product. The data specified only serve to describe the product. No statements concerning a certain condition or suitability for a certain application can be derived from our information. The information given does not release the user from the obligation of own judgment and verification. It must be remembered that the products are subject to a natural process of wear and aging.

The Emerson logo is a trademark and service mark of Emerson Electric Co. Brand logotype are registered trademarks of one of the Emerson family of companies. All other marks are the property of their respective owners. © 2017 Emerson Electric Co. All rights reserved.
2019-03



CONSIDER IT SOLVED™



青岛秉诚自动化设备有限公司
地址：中国·青岛市重庆南路99号海尔云街甲3号楼7F

服务热线：4006-918-365
网址：<http://www.ivalve.cc>

传真：(86-532)585-10-365
Email：sales@bechinas.com