

FEATURES

- Immersion tank system made of steel with welded end covers with CE approval according to Directive 2009/105/EC – PED 97/23/EC
- Immersed valve system with special diaphragm design offers highest peak pressure and best flow performance operating features required for dust collector applications
- The high quality diaphragms are reinforced and wear resistant to guarantee a long operating life, even under harsh conditions
- Possibility to apply different combinations of pitch distances
- Service connections for different accessories such as: filter regulator, pressure gauge, safety valve and automatic/manual drain valve
- Available with hose and threaded blow pipe connections

GENERAL

Differential pressure (PS) 0,35 to 8 bar [1 bar = 100kPa]
Ambient temperature range -10 to +80°C

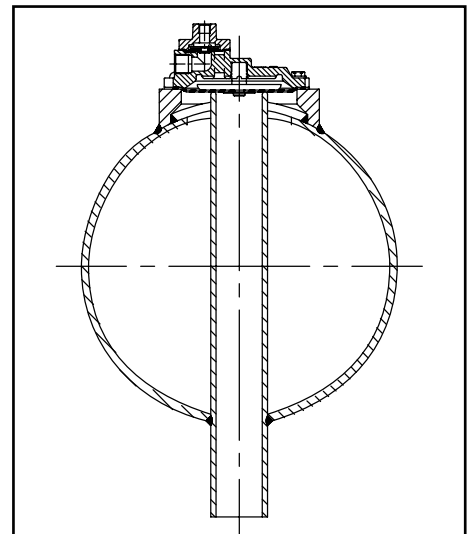
| fluid | temperature range (TS) | seal materials |
|-------|------------------------|------------------|
| air | -10 to +80°C | CR (chloroprene) |

CONSTRUCTION

Tank Steel, grey
Bonnet Aluminium
Bolts Stainless steel
Sealing & discs NBR (nitrile)
Diaphragm CR

PILOT SOLENOID VALVES (2/2 NC function)

| pipe size | main pulse valves | remote pilot connection | recommended executions | | |
|-----------|----------------------|-------------------------|------------------------|--|----------------------------|
| | | | orifice size (mm) | manifold pilot valves in a box (IP 65) | single pilot valves (IP20) |
| 1 1/2" | G357APxx G357AQxx | G1/8 | 3,6 | pilot box series 110 2 to 12 valves 1/8 | series 257 |



SPECIFICATIONS

| pipe size | orifice size (mm) | flow coefficient Kv (m³/h) (l/min) | | operating pressure differential (bar) | | catalogue number | |
|-----------------------|----------------------|--|-----|---------------------------------------|--------------|-----------------------------|-----------------------------|
| | | | | min | max. (PS) | hose | threaded |
| | | | | | air ~ / = | | |
| 8" Tank System | | | | | | | |
| 1 1/2" | 40 | 46 | 768 | 0,35 | 8 | G357APxx ^{(1) (2)} | G357AQxx ^{(1) (2)} |

⁽¹⁾ Standard tank has round ends. For flat ends use suffix FE

⁽²⁾ xx indicates the number of valves

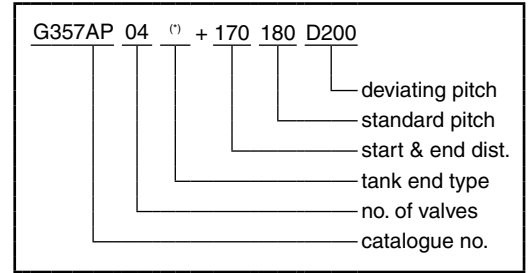
60165GB-2016/R01 Availability, design and specifications are subject to change without notice. All rights reserved.

ORDERING

Example: Dimension code for a 4 valves tank system:

| | |
|------------------------|--|
| Tank diameter | 8" |
| Operator | Remote |
| Pipe size | 1 1/2" |
| Connection | Hose (see fig. 1: Connection Type) |
| Number of valves | 4 pcs |
| Start and End distance | 170 mm |
| Standard pitch | 180 mm |
| Deviating pitch | Between valve no. 3 and no. 4 is position D (see fig. 1) 200 mm |
| Catalogue number | G357AP04 24V/DC |
| Dimension code | 170180D200 |

ORDERING EXAMPLE TANK SYSTEM:



SPARE PARTS KITS

| catalogue number | spare parts kit no. |
|------------------|---------------------|
| G357APxx | ~/= |
| G357AQxx | C113826 |

DIMENSIONS (mm)

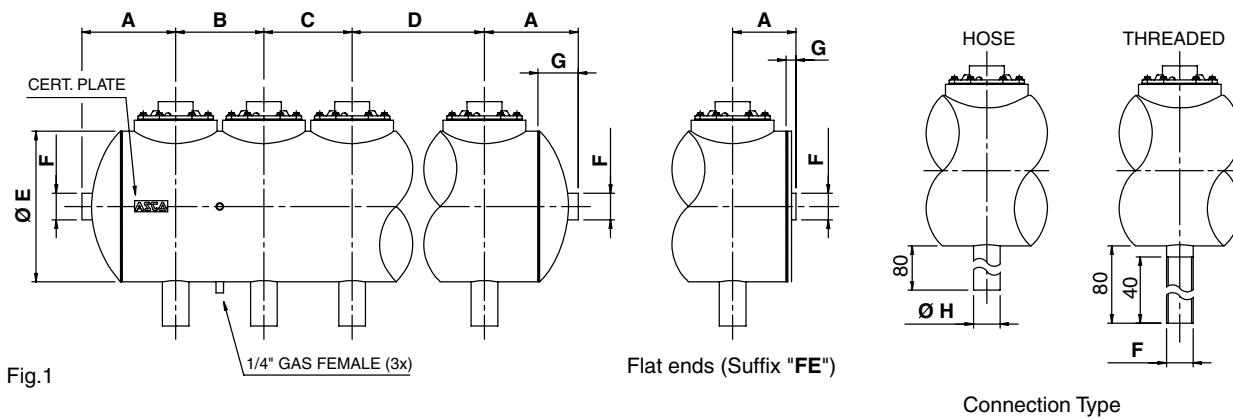


Fig.1

| tank diameter | fig. | A | | B / C / D | | A | | Ø E | F | G | Ø H | |
|---------------|------|-----------------------------|----------------------------|-----------------------|----------------------|---------------------------|--------------------------|-------|----------|----|-----|------|
| | | min. start distance (round) | min. start distance (flat) | minimum pitch (round) | minimum pitch (flat) | min. end distance (round) | min. end distance (flat) | | | | | |
| 8" | 1 | 170 | 118 | 160 | 160 | 170 | 118 | 218,1 | G 1 1/2" | 70 | 18 | 48,3 |

(*) For standard tank (round ends) use no suffix, for flat ends use suffix FE

MOUNTING BRACKETS

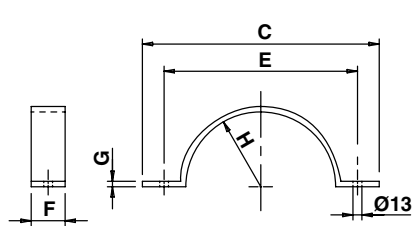


Fig.2 - Contra bracket

| tank diameter | fig. | C | Ø E | F | G | H |
|---------------|------|-----|-----|----|---|-----|
| 8" | 2 | 348 | 284 | 50 | 8 | 110 |

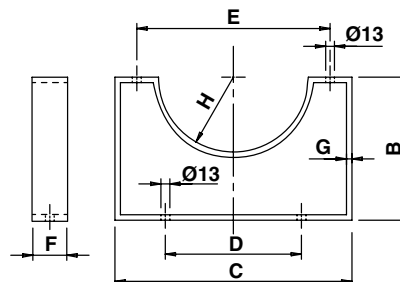


Fig.3 - Bracket

| tank diameter | fig. | B | C | D | Ø E | F | G | H |
|---------------|------|-----|-----|-----|-----|----|---|-----|
| 8" | 3 | 210 | 348 | 200 | 284 | 50 | 8 | 110 |

INSTALLATION

- Tank System can be mounted in any position. We can supply standard mounting brackets with each tank by specifying suffix MB behind the catalogue number (see figure 2 and 3)
- Installation / maintenance instructions and declaration of conformity are included with each tank system
- Spare part kits and coils are available

All leaflets are available on: www.asconumatics.eu