

Topworx™ TVF with LEDs

LED options for TVF Switchbox



Expertise and innovation to deliver proven results. The Topworx TVF now available with LEDs.

The new LED option for the TVF switchbox features green and red LEDs for open and closed position indication. The TVF with LED option is just what you need to help improve visibility in your application. This switchbox can be ordered with a solenoid operated valve for a fully integrated solution. Call a TopWorx sales representative today to learn more about this exciting new feature.



*3-pin Quick Disconnect not included

Options:

LED available with the following switch options:

QS- Hermetically sealed SPDT GO Switches
120vAc/24vDC; 0.25Amp - i.e. TVF-QS2GNMM

RS- Proximity Reed Switches
120vAc/24vDC; 0.25Amp

MS- Mechanical SPDT Switches
24v; 3 Watt max

Demo kit:

Part #: TVF-MSWGNPM000007702
with 3-pin QDC



Product with power pack for demonstration

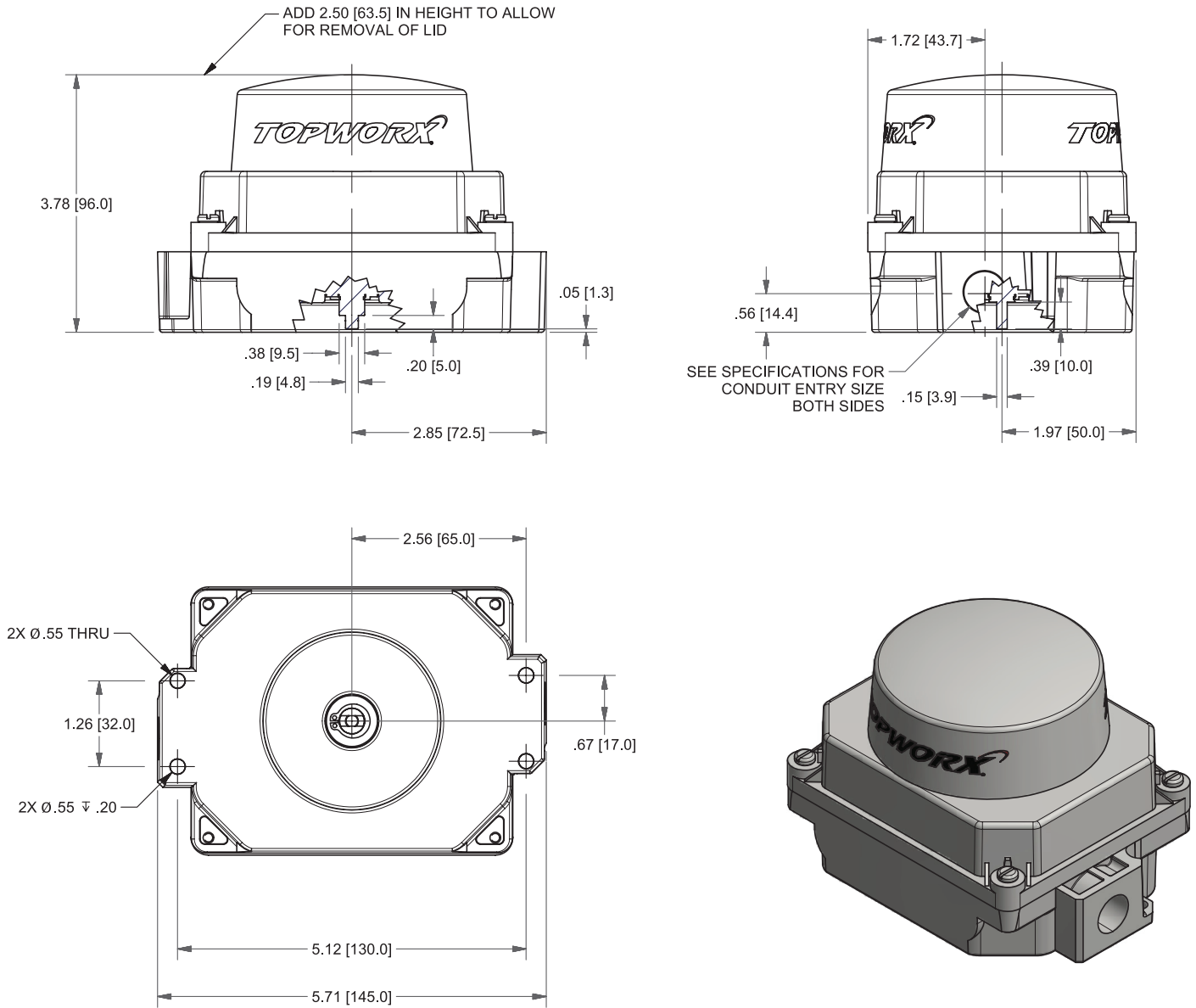
Certification:

Intrinsically Safe
Class I & II Div 1
Ex ia IIC

Nonincendive
Class I & II Div 2
Ex nAnC IIC

UL General Purpose
Type 4, 4x

Dimensions



For more information:
www.Emerson.com/Topworx

TOPWORX™



CONSIDER IT SOLVED™