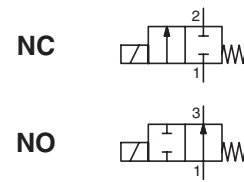




SOLENOID VALVES

direct operated, quick switching
threaded or pad-mount body
M5



2/2
Series
065

FEATURES

- Miniature solenoid valve for medical analyzers, gas analyzers and leak detectors
- New flat-spring technology ensures no contamination of fluids (no friction)
- Suitable for the control of gases
- The valves have a service life of more than 1 billion cycles when used with inert gas
- Short response times
- Easy to integrate thanks to the valves' small size
- Available in a variety of versions for a wide range of applications: threaded connections or pad-mount for installation on multiple manifolds
- Vacuum application up to 0,1 bar abs. (0,6 mm and 1 mm dia. orifice sizes)

GENERAL

Differential pressure See «SPECIFICATIONS» [1 bar =100 kPa]
Maximum viscosity 20 cSt (mm²/s)
Response time < 10 ms
Internal volume ≤ 350 µl (couplings not included)

fluids (*)	temperature range (TS)	seal materials (*)
air, inert gases (filtered 50 µm)	0°C to +60°C	FPM (fluoroelastomer) (2)

MATERIALS IN CONTACT WITH FLUID

(*) Ensure that the compatibility of the fluids in contact with the materials is verified

Body Stainless steel, AISI 303 (1.4305)
Plugnut Stainless steel
Spring disc Stainless steel
Seat Stainless steel
Seals FPM
Disc FPM

ELECTRICAL CHARACTERISTICS

Coil insulation class F
Connection Cable leads (ETFE); 0,35 m length
Electrical safety IEC 335
Electrical enclosure protection IP40 (EN 60529)
Standard voltages DC (=) : 6V - 12V - 24V

prefix option	power ratings			operator ambient temperature range (TS) (C°)	replacement coil	type (1)
	inrush ~ (VA)	holding ~ (VA)	hot/cold = (W)			
L	-	-	-	2,1 / 2,1	-	01

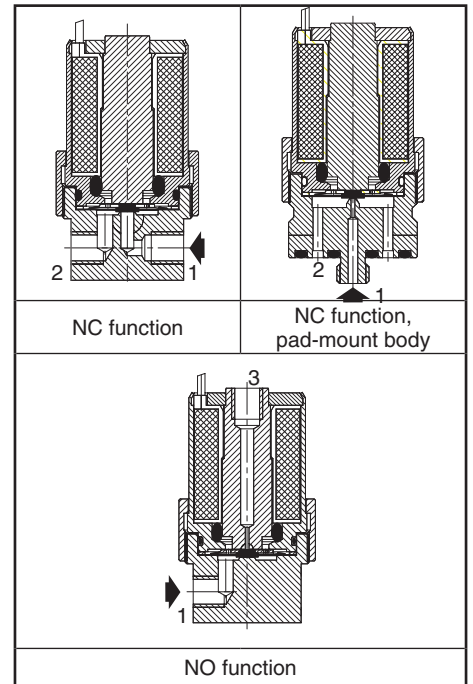
(1) Refer to the dimensional drawings on the following page.

SPECIFICATIONS

pipe size	orifice size (mm)	flow coefficient Kv (m ³ /h) (l/min)		operating pressure differential (bar)		power coil (W)	catalogue number	
				min.	max. (PS)		threaded	pad-mount body
					air, inert gases (*)			
NC - Normally closed								
M5 (3)	0,6	0,013	0,22	0	7	2,1	LE065A001V	LS065A001V
	1	0,025	0,43	0	5	2,1	LE065A002V	LS065A002V
	1,4	0,032	0,54	0	3	2,1	LE065A003V	LS065A003V
	2	0,057	0,95	0	1,5	2,1	LE065A004V	LS065A004V
NO - Normally open								
M5	0,6	0,013	0,22	0	7	2,1	LE065A005V	-
	1	0,025	0,43	0	5	2,1	LE065A006V	-
	1,4	0,032	0,54	0	3	2,1	LE065A007V	-
	2	0,057	0,95	0	1,5	2,1	LE065A008V	-

(2) FFPM seals for corrosive fluids (Contact us).

(3) External thread with pad-mount body.



00157GB-2016/R01 Availability, design and specifications are subject to change without notice. All rights reserved.

All leaflets are available on: www.asco.com



青岛秉诚自动化设备有限公司
地址：中国·青岛市重庆南路99号海尔云街甲3号楼7F

服务热线：4006-918-365
网址：<http://www.ivalve.com>

传真：(86-532)585-10-365
Email：sales@bechinas.com

V203-1

OPTIONS (on request)

- Other seal materials
- Response time 2-3 ms
- Oxygen service
- Other pipe connections are available
- 0,7 W rated coil

INSTALLATION

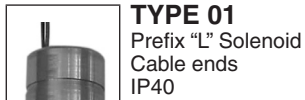
- The solenoid valves can be mounted in any position without affecting operation
- Threaded solenoid valves have 2 mounting holes in body
- Pad-mount valves and o-ring seals for multiple manifolds

ORDERING EXAMPLES:

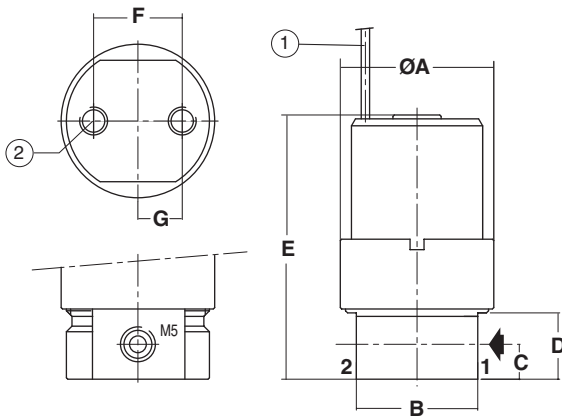
L	E	065	A	001	V	6V / DC
L	E	065	A	002	V	24V / DC
L	S	065	A	006	V	12V / DC
L	S	065	A	007	V	6V / DC

prefix ————
 pipe thread ————
 basic number ————
 voltage ————
 suffix ————

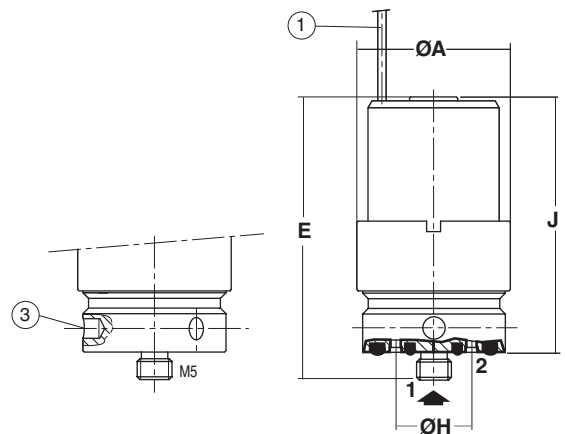
DIMENSIONS (mm), WEIGHT (kg)



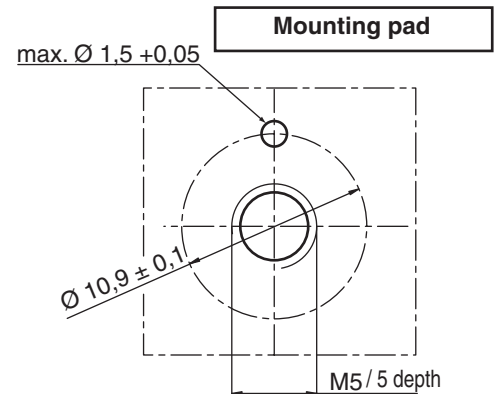
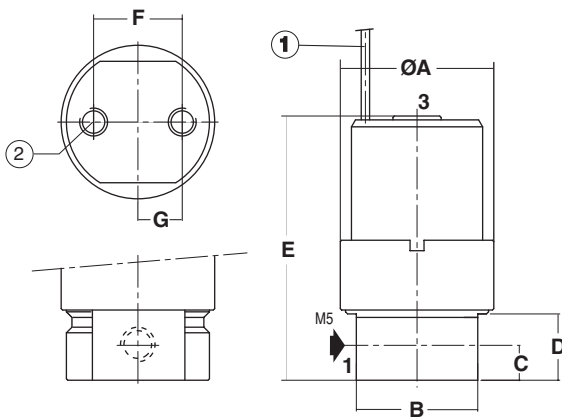
LE065A001V/002V/003V/004V



LS065A001V/002V/003V/004V



LE065A005V/006V/007V/008V



type	prefix option	catalogue number	A	B	C	D	E	F	G	H	J	weight ⁽¹⁾
01	L	LE065A001V/002V/003V/004V	22	17,4	5	9,5	38	12,7	6,35	-	-	0,074
		LS065A001V/002V/003V/004V	22	-	-	-	41	-	-	10,9	37	0,066
		LE065A005V/006V/007V/008V	22	17,4	5	9,5	38	12,7	6,35	-	-	0,071

⁽¹⁾ Including leads, length 0,35 m.

- ① 2 electrical supply wires, length: 0,35 m.
- ② 2 mounting holes Ø M4, depth 6 mm.
- ③ Mounting with hook spanner wrench DIN 1810B.

All leaflets are available on: www.asco.com