

SPECIFICATIONS

FLUID	: Air or neutral gas, filtered, lubricated or not
PORTS	: G 1/4
PRESSURE	: 0 to 10 bar
TEMPERATURE	: -25°C to +60°C
FLOW (Qv at 6 bar)	: 860 l/min (ANR)

CONSTRUCTION

Environmentally-protected construction
Spool valve
Body: treated aluminium
Internal parts: zinc diecasting, steel, stainless steel, acetal (POM)
Seals: NBR (nitrile) and PUR (polyurethane)



1	= Pressure
2,4	= Outlets
3,5	= Exhausts

CHOICE OF EQUIPMENT

[Configurator - CAD Files](#)

Type	Pilot	Return	Operating effort (daN)	CODES
3/2 	Roller	Spring	4,8	55102084
5/2 	Roller	Spring	4,8	55102087

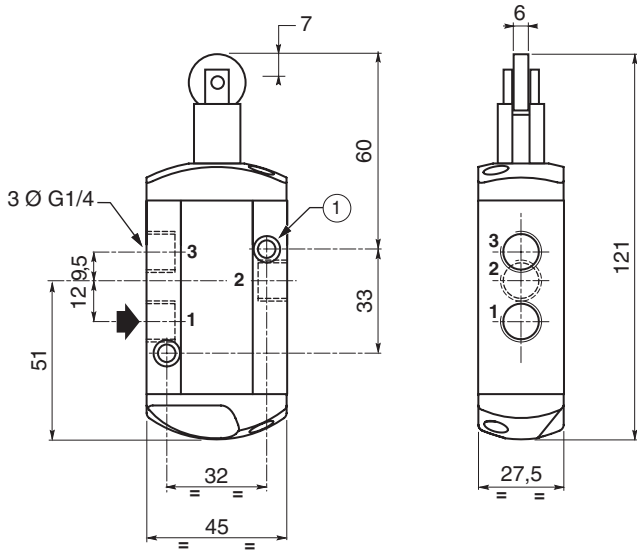
Note: do not connect the pressure supply to the exhaust port 3. For a "distributing" function or use in NO function, contact us.

DIMENSIONS AND WEIGHTS
ROLLER

[Configurator - CAD Files](#)

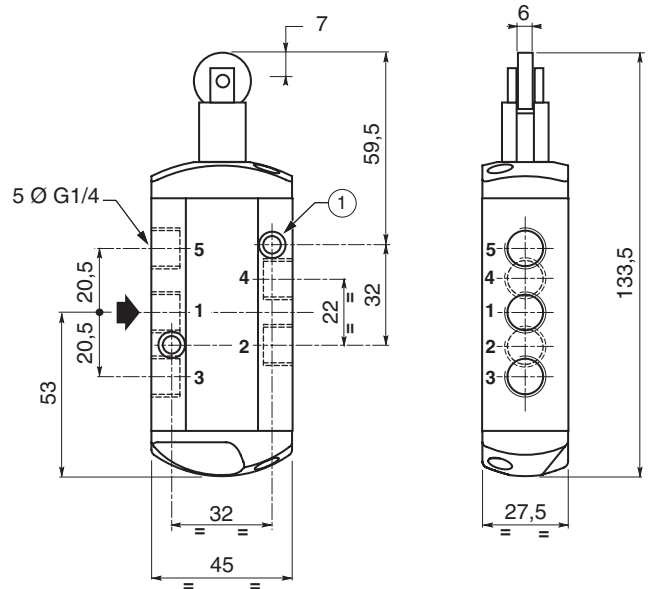
3/2

Weight: 0,250 kg



5/2

Weight: 0,285 kg



① 2 fixing holes: Ø 5,3 - counterbore : Ø 9, dept 5

Cam angles

Maximum speed: 0,3 m/s

