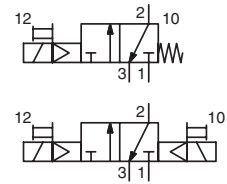


# SPOOL VALVES

pilot operated, spool type  
single/dual solenoid (mono/bistable function)  
aluminium body, 1/4



## FEATURES

- The valves offer environmental protection against the ingress of liquids, dusts or other foreign matter (environmentally protected construction)
- For high reliability in very humid outside environments, the versions on [following pages](#) should preferably be used.

## GENERAL

<b>Fluids</b>	Air or neutral gas, filtered, lubricated or not
<b>Operating pressure</b>	2 to 10 bar
<b>Ambient temperature</b>	-25°C to +60°C
<b>Flow (Qv to 6 bar)</b>	860 l/min (ANR) - Kv : 12,5

## CONSTRUCTION

<b>SPOOL VALVE</b>	
<b>Body</b>	Aluminium, black anodized
<b>Internal parts</b>	Zinc diecast, stainless steel, POM (polyacetal), aluminium
<b>Seals</b>	NBR (nitrile) and PUR (polyurethane)
<b>PILOT VALVE</b>	
<b>Seals</b>	NBR (nitrile) and PUR (polyurethane)
<b>Electrical safety</b>	IEC 335
<b>Coil and magnetic circuit</b>	Encapsulated monobloc design
<b>Exhaust</b>	Tapped M5 exhaust port, equipped with exhaust protection



## ELECTRICAL CHARACTERISTICS

voltage	consumption		insulation class	protection degree	electrical connection
	inrush	holding			
~ 24V - 48V - 115V - 230V / 50Hz	6 VA	3,5 VA (2,5 W)	F	IP 65	spade plug connector size 22 EN 175301-803, industry standard form B (11 mm)
= 24V - 48V	2,5 W				

## SPECIFICATIONS

symbol	operators solenoid air pilot (14) return (12)	catalogue number		(M)
		with connector	without connector	
	spring	55102005	55102006	●
	solenoid air	55102007	55102008	●

(M) Type of manual operator on pilot(s): ● : maintained

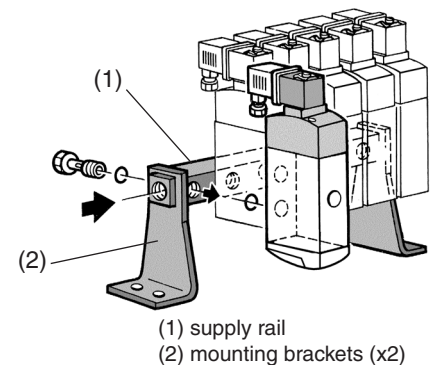
Note: do not connect the pressure supply to the exhaust port 3. For a "distributing" function or use in NO function, contact us.

## ACCESSORIES

- [Supply rails](#)

	supply rail supplied with seals and banjo bolts (without mounting brackets) (1)	supply rail with isolation valves - allows isolation of one or more spool valves from the main pressure supply
<b>supply rail for «n» valves</b>	G 1/4	G 1/4
2	88100034	88100915
3	88100035	88100916
4	88100036	88100917
5	88100037	88100918
6	88100038	88100919
7	88100039	88100920
8	88100040	88100921

- Set of 2 mounting brackets (2) for supply rail - catalogue number: **88100049**



All leaflets are available on: [www.asco.com](http://www.asco.com)

00431GB-2016/R02  
Availability, design and specifications are subject to change without notice. All rights reserved.

### OPTIONS

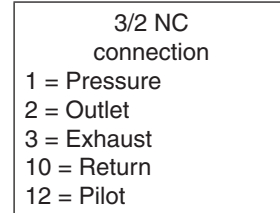
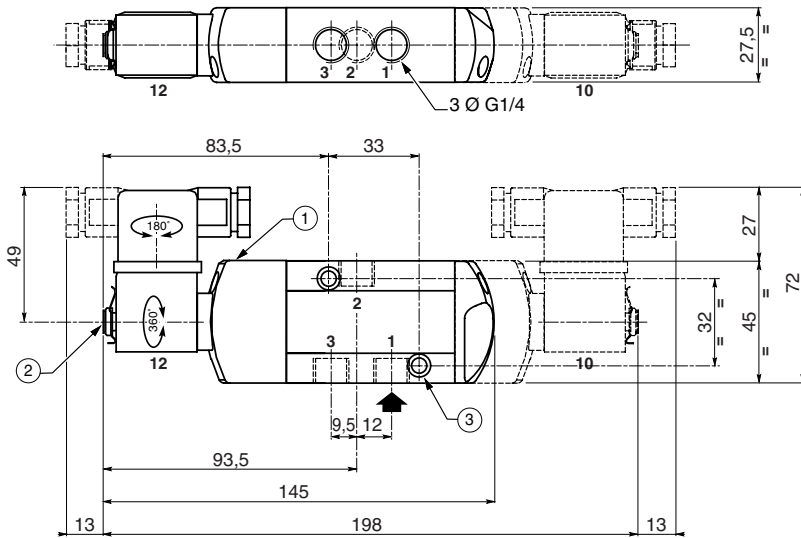
- Other voltages and 60 Hz on request
- [ATEX compliant coil and connector for use in potentially explosive dust environments \(SG\), zone 22](#)
- Connector size 22, cable length 2 m: **88122413**
- Electrovalve [with connector equipped with visual indicator and built-in electrical protection](#):

catalogue number of spool valve without connector + catalogue number of connector with visual indicator and built-in electrical protection (- / =)

24V	48V	115V	230V
<b>88122405</b>	<b>88122406</b>	<b>88122407</b>	<b>88122410</b>

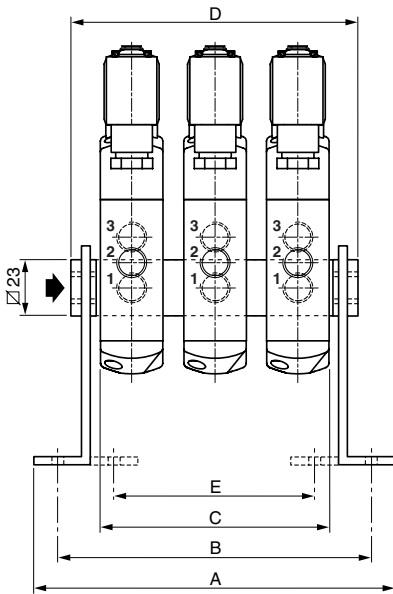
### DIMENSIONS (mm), WEIGHT (kg)

Weight: Spool valve + 1 pilot = 0,316 kg  
 Spool valve + 2 pilots = 0,436 kg

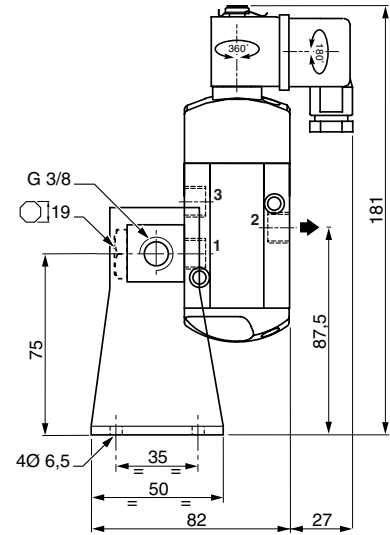


- ① Maintained manual operator
- ② Connectable M5 exhaust with protection
- ③ 2 mounting holes: Ø 5,3 spotfacing: Ø 9, depth 5

### ASSEMBLY WITH COMMON SUPPLY RAIL



series 551	number of valves							
	2	3	4	5	6	7	8	
A	108	136	164	192	220	248	276	
B	92	120	148	176	204	232	260	
C	55	83	111	139	167	195	223	
D	78	106	134	162	190	218	246	
E	42	70	98	126	154	182	210	
type	weight (kg)							
with 1 pilot	0,9	1,3	1,7	2,0	2,4	2,9	3,3	
with 2 pilots	1,2	1,7	2,1	2,6	3,1	3,6	4,1	



This mounting arrangement allows valves to be mounted in any of 4 positions

