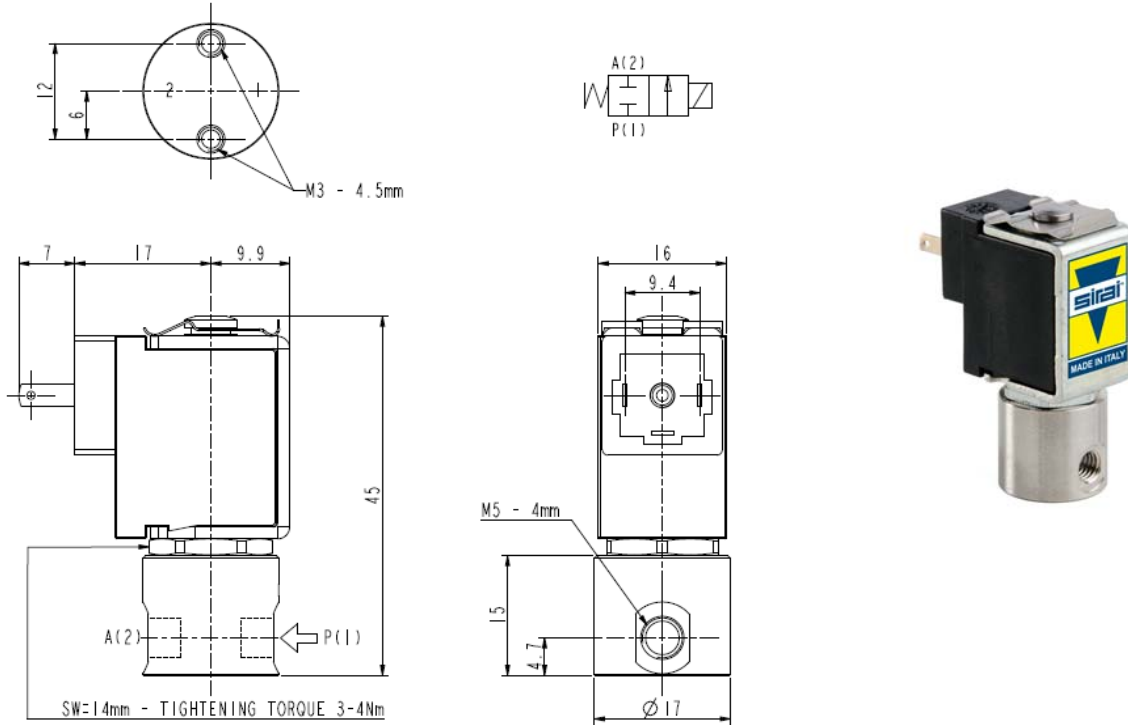




**MICRO SOLENOID VALVE - DRY**  
**2/2 - NC (Normally closed)**  
**Direct acting - Total isolation**  
**M5**

**D103**



► **GENERAL FEATURES**

Total isolation micro solenoid valve: the actuator is totally isolated from the medium so that the wetted parts are just the body and the diaphragm.  
 Reduced internal volumes: ~0,07 ml (0,07 cm<sup>3</sup>).  
 Possibility of disassembling for inspection.  
 Suitable to shut off liquid and gaseous fluids (verify the compatibility of fluid with materials in contact).

► **TECHNICAL FEATURES**

Maximum allowable pressure (PS) 7 bar  
 Opening time ~10ms  
 Closing time ~10m  
 Fluid temperature -10°C +100°C  
 Max viscosity 5°E (~37 cStokes or mm<sup>2</sup>/s)

► **MATERIALS IN CONTACT WITH FLUID**

Body Stainless steel AISI 316  
 Sealing EPDM or VMQ or FPM

► **COIL**

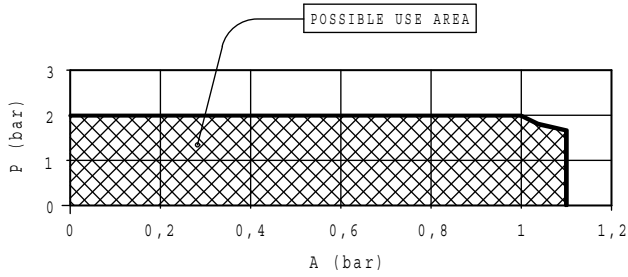
Continuous duty ED 100%  
 Encapsulation material PA (Polyamide) fiberglass reinforced  
 Insulation class F (155°C)  
 Ambient temperature -10°C +60°C  
 Electric connections DIN 46340 with micro plug connector  
 Protection degree IP 65 (EN 60529) with micro plug connector  
 Voltages DC 12-24V (+10% -5%)  
 (Other voltages on request)

Port size ISO-UNI 4534	Orifice size (mm)	Differential pressure (bar)				Kv (m <sup>3</sup> /h)	Series and type		Power absorption			Sealings	Notes	Weight (kg)				
		Δp min	Δp max ▲				Valve	Coil	AC (VA)		DC (W)							
			AC	DC	AC				DC	Inrush					Holding			
M5	1,6	0	-	2	-	2	D103D05	ZE30C	-	-	2,5	EPDM	-	0,060				
				5	-	5									D103S05	ZE30C	FPM	1
				5	-	5												D103V05
				5	-	5									D103V06	ZE30A	4	

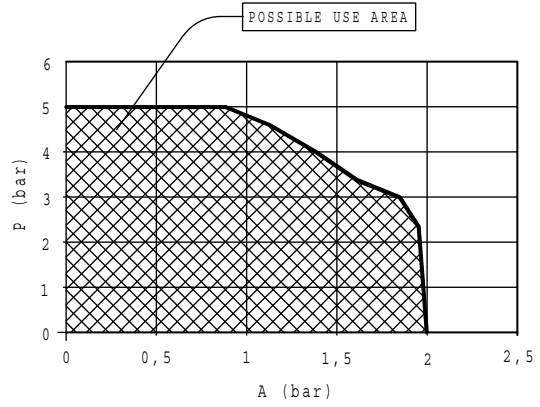
► **NOTES**

- Sealings : EPDM = Ethylene-propylene elastomer VMQ = Silicone elastomer FPM = Fluoro-carbon elastomer  
 1 - Suitable for vacuum at port "P" (≤760mmHg) or at port "A" (≤700mmHg)  
 2 - Suitable for vacuum at port "P" (≤760mmHg) or at port "A" (≤150mmHg)  
 ▲ : see the drawing overleaf.

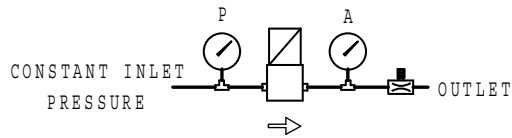
D103D05 – S05 – V05



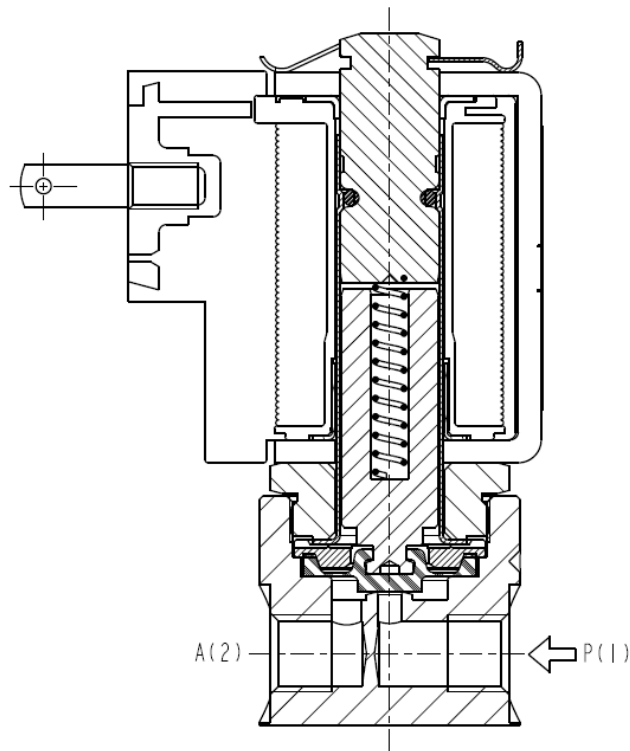
D103V06



FUNCTIONAL SCHEME



► SECTIONAL VIEW



► MOUNTING

- Solenoid valve can be mounted in any position.

THE VALIDITY OF REPORTED DATA IS REFERRED TO THE DATE OF ISSUE. POSSIBLE UPDATES ARE AVAILABLE ON REQUEST.