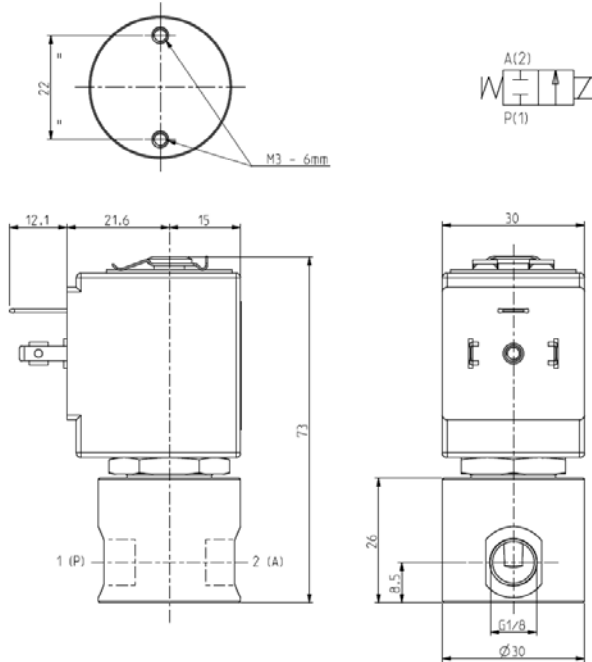




SOLENOID VALVE - DRY
2/2 - NC (Normally closed)
Direct acting - Total isolation
G 1/8

D105



► **GENERAL FEATURES**

Total isolation micro solenoid valve: the actuator is totally isolated from the medium so that the wetted parts are just the body and the diaphragm. Possibility of disassembling for inspection. The working pressure of the valve is function of differential pressure between inlet and outlet; see the drawing overleaf. Suitable to shut off liquid and gaseous fluids (verify the compatibility of fluid with materials in contact).

► **TECHNICAL FEATURES**

Maximum allowable pressure (PS) 4 bar
 Opening time ~20ms
 Closing time ~20ms
 Fluid temperature -10°C +100°C
 Max viscosity 5°E (~37 cStokes or mm²/s)

► **MATERIALS IN CONTACT WITH FLUID**

Body PVDF (Polyvinylfluoride)
 Sealing EPDM or VMQ or FPM or FFPM

► **COIL**

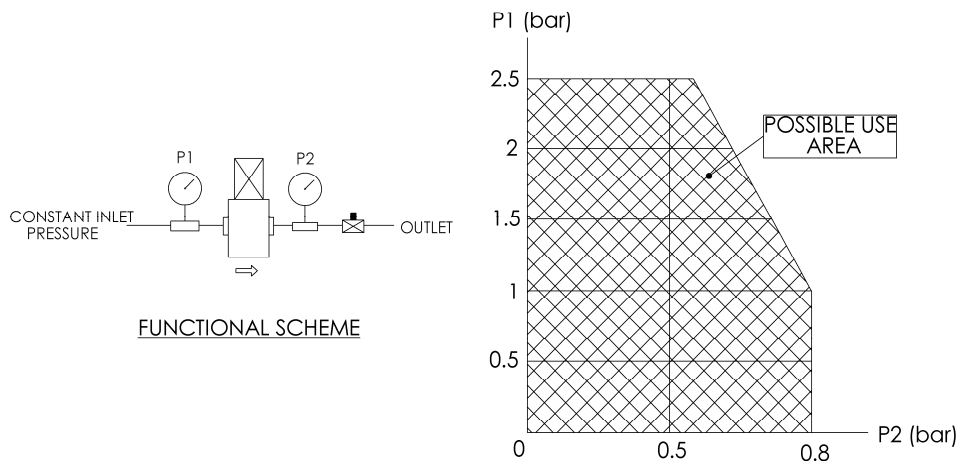
Approval UL (class F) – for UL cl.H: ZA34
 Continuous duty ED 100%
 Encapsulation material PPS (Polyphenylsulfure) fiberglass reinforced
 Coil insulation class F (155°C)
 Ambient temperature -10°C +50°C
 Electric connections DIN 46340 - 3 poles connector (EN175301-803)
 Protection degree IP 67 (EN 60529) with plug connector
 Voltages DC 12-24V (+10% -5%)
 AC 24V/50Hz-110V/50Hz (120V/60Hz)-230V/50Hz (+10% -15%).
 (Other voltages and frequencies on request)

Port size ISO 228	Orifice size (mm)	Differential pressure (bar)				Kv (m ³ /h)	Series and type		Power absorption			Sealings	Notes	Weight (kg)	
		Δp min	Δp max				Valve	Coil	AC (VA)		DC (W)				
			AC	DC	AC				DC	Inrush					Holding
G 1/8	4	0	2.5	2.5	2.5	2.5	0.32	D105D31 D105S31 D105V31 D105Z31	ZA10A	23	14	9	EPDM VMQ FPM FFPM	- 1 - 1	0,200

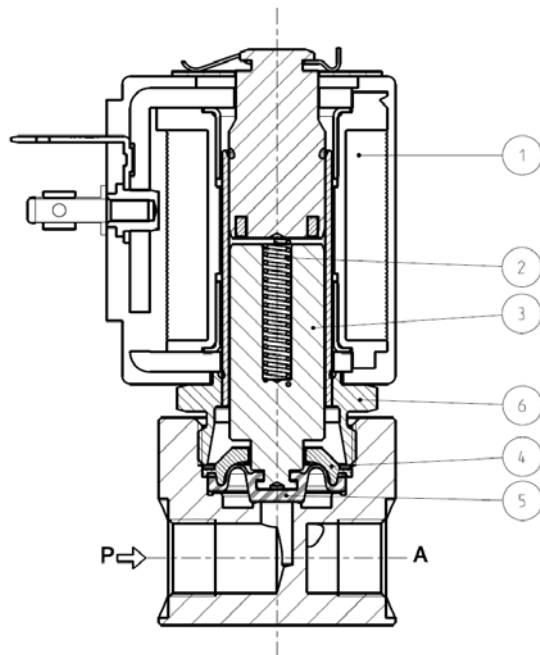
► **NOTES**

- Sealings : EPDM = Ethylene-propylene elastomer FPM = Fluoro-carbon elastomer VMQ = Silicone elastomer FFPM = Perfluorate elastomer
 - IMQ CSV approval, see ZA10 datasheet for further details
 - UL approved coil (E153691)
 1 - Model available on request only: ask for minimum quantity.

D105



► SPARE PARTS



Kit description

Actuator kit

D105D31
D105S31
D105V31
D105Z31

Kit P.N.

G3146101
G3146102
G3146103
G3146104

Consisting of:

Core return spring pos.2
Core pos.3
Core tube pos. 6
Spacing collar pos.4
Diaphragm pos.5
Coil clip

Coil

ZA10A

Coil pos. 1

► MOUNTING

- Solenoid valve can be mounted in any position.

THE VALIDITY OF REPORTED DATA IS REFERRED TO THE DATE OF ISSUE. POSSIBLE UPDATES ARE AVAILABLE ON REQUEST.