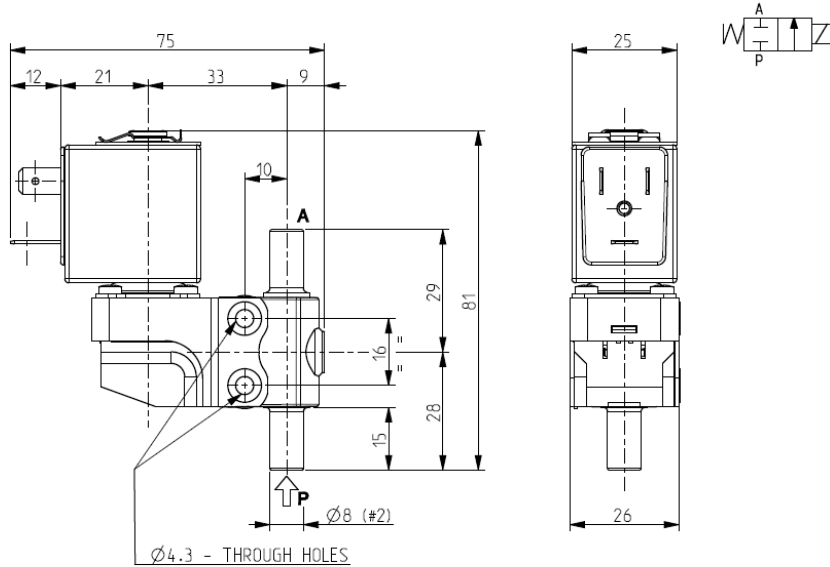




**SOLENOID VALVE - DRY**  
**2/2 – NC (Normally closed)**  
 Direct acting - Total isolation  
 Barbed port

**D118**



► **GENERAL FEATURES**

Direct acting, total isolation solenoid valve: the actuator is totally isolated from the fluid so that the wetted parts are just the body and the lever-seal.

Possibility of disassembling for inspection.

Core duly coated by PTFE (polytetrafluoroethylene) based self lubricating material.

Suitable to shut off liquid and gaseous fluids (verify the compatibility of fluid with materials in contact).

► **TECHNICAL FEATURES**

Maximum allowable pressure (PS) 12 bar  
 Opening time ~ 25ms  
 Closing time ~ 25ms  
 Fluid temperature -10°C +100°C  
 Max viscosity 5°E (~37 cStokes or mm<sup>2</sup>/s)

► **MATERIALS IN CONTACT WITH FLUID**

Body PEI (Polyetherimide)  
 Sealing VMQ or FPM or EPDM

► **COIL**

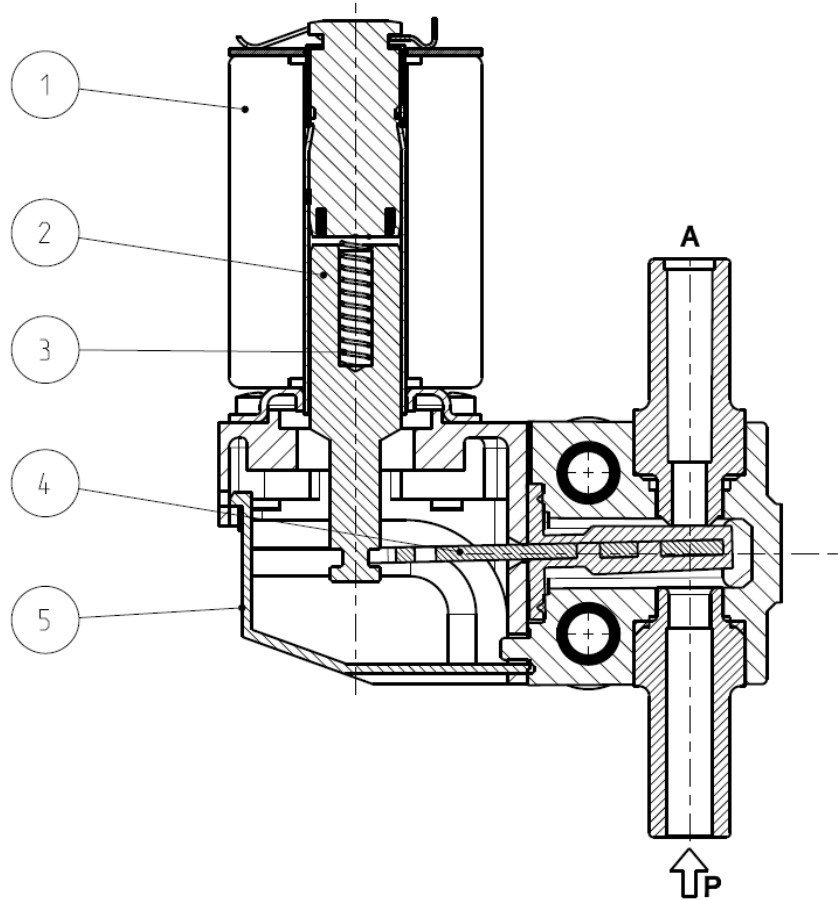
Continuous duty ED 100%  
 Encapsulation material PET (polyethylene terephthalate) fiberglass reinforced  
 Coil insulation class F (155°C)  
 Ambient temperature -10°C +60°C  
 Electric connections DIN 46340 - 3 poles connector  
 Protection degree IP 65 (EN 60529) with plug connector  
 Voltages DC 12-24V (+10% -5%)  
 AC 24V/50-60Hz - 110V/50-60Hz (120V/60Hz)  
 230V/50-60Hz (+10% -15%)  
 (Other voltages and frequencies on request)  
 UL approved version (see notes)

Port size	Orifice size (mm)	Differential pressure (bar)				Kv (m <sup>3</sup> /h)	Series and type		Power absorption			Sealings	Notes	Weight (kg)		
		Δp min	Δp max				Valve	Coil	AC (VA)		DC (W)					
			Gases		Liquids				Inrush	Holding						
			AC	DC	AC										DC	
Barbed port	2,7	0	10		10	0,23	D118D03	Z610A	16	10	6	EPDM	1	0,150		
			5	5	5		5								D118S03	
			10		10										D118V03	
	3,4		6		6		0,30								D118D03	
			3	3	3										3	D118S03
			6		6											D118V03

► **NOTES**

- Sealings : FPM = Fluoro-carbon elastomer VMQ = Silicone elastomer EPDM = Ethylene-propylene elastomer
- On request UL approved coil (Z614A - class "H" - ambient temperature -10°C +60°C)
- 1 - Models available on request only: ask for minimum quantity.

► SPARE PARTS



Kit description	Kit P.N.	Consisting of:
Core kit	G3049401	Core pos.2 Core return spring pos.3
Lever seal	D118D03 2815206R D118S03 2815202R D118V03 2815203R	Lever seal pos.4
Cover kit	G2883901	N. 10 cover pos. 5
Coil	Z610A	Coil pos. 1

► MOUNTING

- Solenoid valve can be mounted in any position.

THE VALIDITY OF REPORTED DATA IS REFERRED TO THE DATE OF ISSUE. POSSIBLE UPDATES ARE AVAILABLE ON REQUEST.