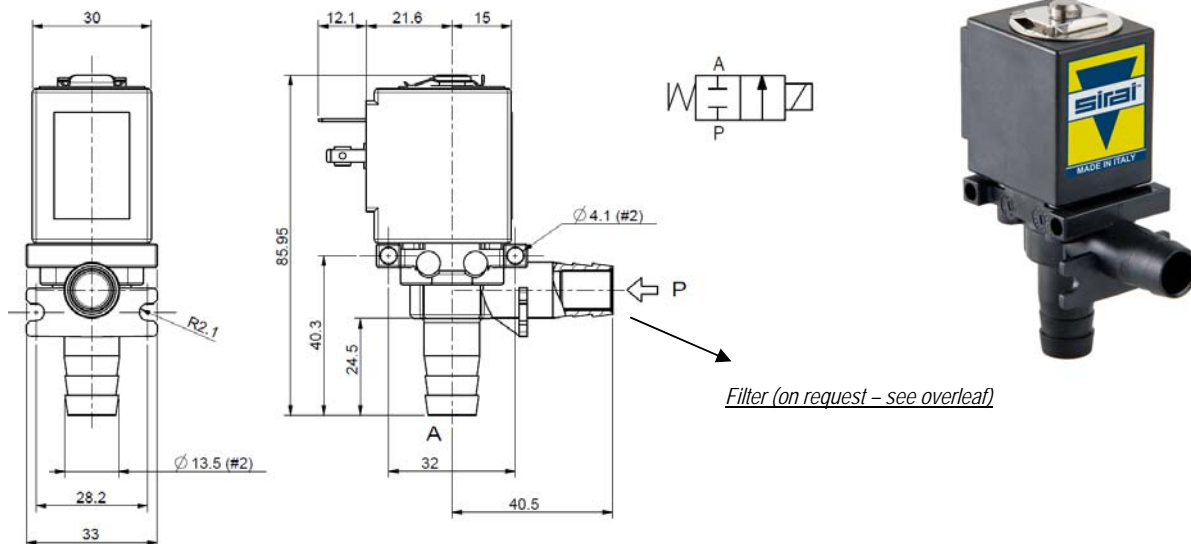




SOLENOID VALVE - DRY
2/2 - NC (Normally closed)
Direct acting - Total isolation
Barbed port

D136



► **GENERAL FEATURES**

Direct acting, total isolation solenoid valve: the actuator is totally isolated from the fluid so that the wetted parts are just the body, the diaphragm and the filter fitted on the inlet port (P) – if any.

Possibility of disassembling for inspection.

Particularly suitable for tanks draining.

Suitable to shut off liquid fluids (verify the compatibility of fluid with materials in contact).

► **TECHNICAL FEATURES**

Maximum allowable pressure (PS) 2 bar
 Opening time ~ 40ms
 Closing time ~ 40ms
 Fluid temperature 0°C +100°C (FPM)
 -30°C +100°C (EPDM)
 Max viscosity 5°E (~37 cStokes or mm²/s)

► **MATERIALS IN CONTACT WITH FLUID**

Body PPS (Polyphenylene-sulfide) reinforced
 Sealing FPM or EPDM
 Filter (on request) Stainless steel AISI 316

► **COIL**

Approval UL (class F) – for UL cl.H: ZA34
 Continuous duty ED 100%
 Encapsulation material PPS (Polyphenylsulfure) fiberglass reinforced
 Insulation class F (155°C)
 Ambient temperature -10°C +50°C
 Electric connections DIN 46340 - 3 poles connector (EN 175301-803)
 Protection degree IP 67 (EN 60529) with plug connector
 Voltages DC 12-24V (+10% -5%)
 AC 24V/50Hz - 110V/50Hz (120V/60Hz) - 230V/50Hz (+10% -15%)
 (Other voltages and frequencies on request)

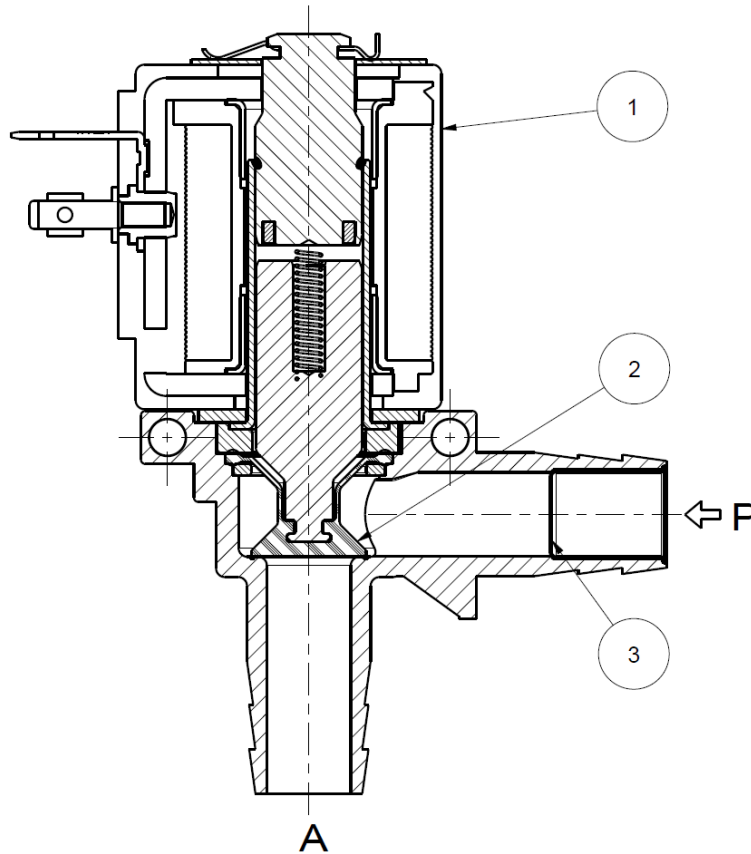
Port	Orifice size (mm)	Differential pressure (bar)				Kv (m ³ /h)	Series and type		Power absorption			Sealings	Notes	Weight (kg)	
		Δp min	Δp max				Valve	Coil	AC (VA)		DC (W)				
			Gases		Liquids				Inrush	Holding					
			AC	DC	AC										DC
Barbed port	9,5	0	-	-	0,5	-	D136D01	ZA10A	23	14	-	EPDM	-	0,190	
					-	0,5		ZA32K	-	-	10				
					0,5	-		D136V01	ZA10A	23	14				-
					-	0,5			ZA32K	-	-				10

► **NOTES**

- Sealings : FPM = Fluoro-carbon elastomer EPDM = Ethylene-propylene elastomer
- The use of filter 299554R (available on request) reduces the Kv value of 40%.
- IMQ CSV approval, see ZA10 datasheet for further details
- UL approved coil (E153691)



► SPARE PARTS



Kit description		Kit P.N.	Consisting of:
Diaphragm kit	D136V01 D136D01	G3142301 G3142302	Diaphragm pos. 2
Filter (on request)		299554R	Strainer pos.3
Coil		ZA10A ZA32K	Coil pos. 1

► MOUNTING

- Solenoid valve can be mounted in any position.
- In case of disassembling for usual maintenance, the fixing screws of the guide assembly have to be tightened with 0,6±0,7 Nm torque.

THE VALIDITY OF REPORTED DATA IS REFERRED TO THE DATE OF ISSUE. POSSIBLE UPDATES ARE AVAILABLE ON REQUEST.