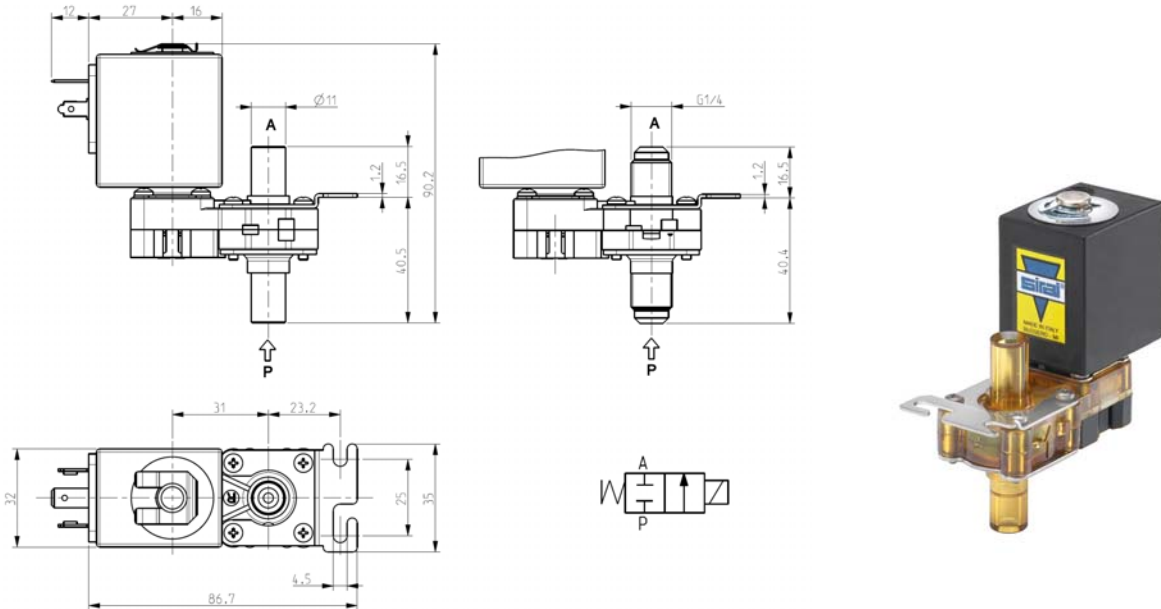




SOLENOID VALVE - DRY
2/2 - NC (Normally closed)
Direct acting - Total isolation
G 1/4 - Barbed port

D144



► **GENERAL FEATURES**

Direct acting, total isolation solenoid valve: the actuator is totally isolated from the fluid so that the wetted parts are just the body and the lever-seal.

Possibility of disassembling for inspection.

Core duly coated by PTFE (polytetrafluoroethylene) based self lubricating material.

Suitable to shut off liquid and gaseous fluids (verify the compatibility of fluid with materials in contact).

► **TECHNICAL FEATURES**

Maximum allowable pressure (PS) 12 bar
 Opening time ~ 25ms
 Closing time ~ 25ms
 Fluid temperature -10°C +100°C
 Max viscosity 5°E (~37 cStokes or mm²/s)

► **MATERIALS IN CONTACT WITH FLUID**

Body PEI (Polyetherimide)
 Sealing EPDM or FPM or VMQ

► **COIL**

Continuous duty ED 100%
 Encapsulation material PET (polyethylene terephthalate) fiberglass reinforced
 Insulation class F (140°C)
 Ambient temperature -10°C +60°C
 Electric connections DIN 46340 - 3 poles connector (EN175301-803)
 Protection degree IP 65 (EN 60529) with plug connector
 Voltages DC 12-24V (+10% -5%)
 AC 24V/50Hz - 110V/50Hz (120V/60Hz) - 230V/50Hz (+10% -15%)
 (Other voltages and frequencies on request)

Port size G = ISO 228	Orifice size (mm)	Differential pressure (bar)				Kv (m ³ /h)	Series and type		Power absorption			Sealings	Notes	Weight (kg)	
		Δp min	Δp max				Valve	Coil	AC (VA)		DC (W)				
			AC	DC	AC				DC	Inrush					Holding
Barbed port	5,5	0	4,5	1	4,5	1	D144D3	Z530A	23	14	9	EPDM	1	0,255	
			1,5	1	1,5	1	D144V3					FPM	-		
			1,5	1	1,5	1	D144S3					VMQ	-		
G 1/4	3,2	0	10	2,4	10	2,4	D144D4	Z530A	23	14	9	EPDM	1	0,255	
			1,5	1,5	1,5	1,5	D144V4					FPM			
			1,5	1,5	1,5	1,5	D144S4					VMQ			
	5,5		4,5	1	4,5	1	D144D4					EPDM	-		
			1,5	1	1,5	1	D144V4					FPM			
			1,5	1	1,5	1	D144S4					VMQ			

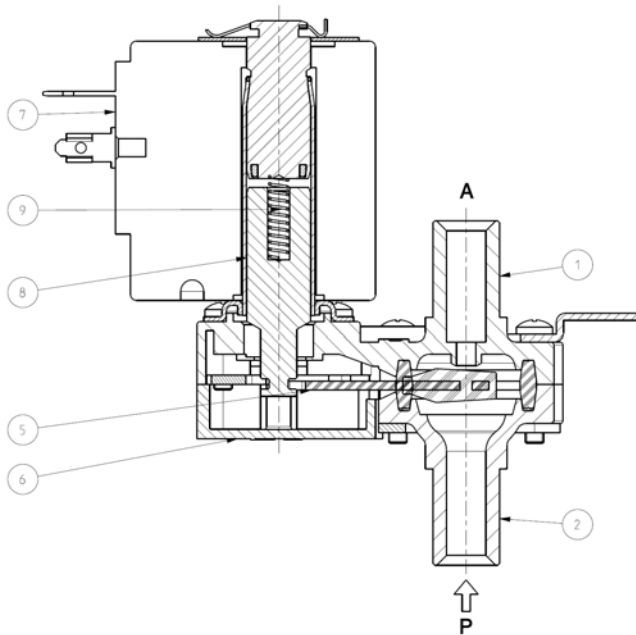
► **NOTES**

- Sealings: EPDM = Ethylene-propylene elastomer VMQ = Silicone elastomer FPM = Fluoro-carbon elastomer.
- On request and depending on quantities: silent execution (only for DC); see the corresponding data sheet
- 1 - Model available on request only: ask for minimum quantity.

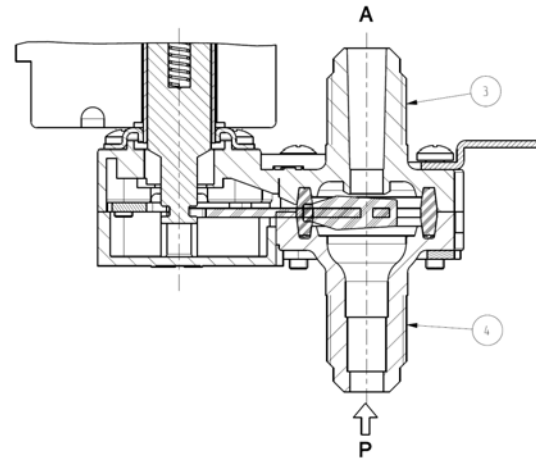
D144

► SPARE PARTS

D144-D-S-V3



D144-D-S-V4



Kit description	Kit P.N.	Consisting of:	
Body kit	D144-D3-S3-V3	G2846402	Upper body pos.1 Lower body pos.2
Body kit	D144-D4-S4-V4 Ø3,2 D144-D4-S4-V4 Ø5,5	G2846801 G2846802	Upper body pos.3 Lower body pos.4
Core kit		G2999201	Core pos.8 Core return spring pos.9
Lever seal kit	D144D3-D4 D144S3-S4 D144V3-V4	2977703R 2977704R 2977702R	Lever seal kit pos. 5
Cover		3119801R	Cover pos. 6
Coil		Z530A	Coil pos. 7

► INSTALLATION

- In case of disassembling, for usual maintenance, the fixing screws have to be tightened at 0,6 Nm max torque.
- Solenoid valve can be mounted in any position; vertical with coil upwards preferred.
- Maximum driving torque of the pipe fittings for thread connections = 10Nm.

THE VALIDITY OF REPORTED DATA IS REFERRED TO THE DATE OF ISSUE. POSSIBLE UPDATES ARE AVAILABLE ON REQUEST.