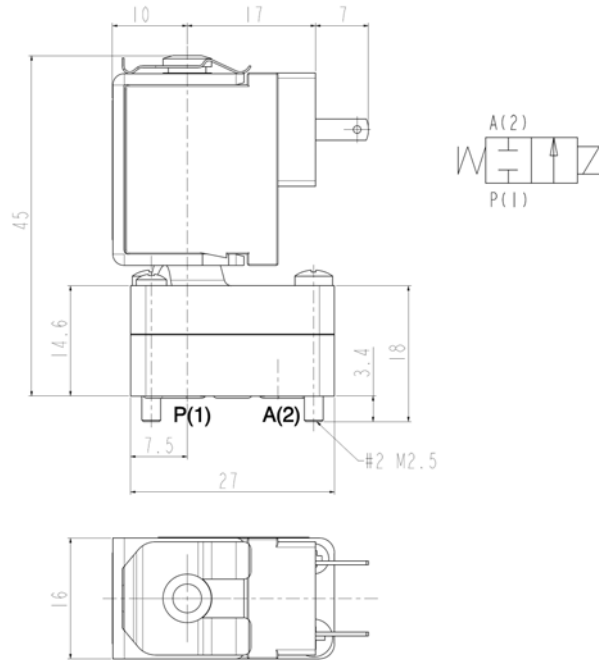




MICRO SOLENOID VALVE - DRY
2/2 - NC (Normally closed)
Direct acting - Total isolation
Sub-base

D151D04



► **GENERAL FEATURES**

Total isolation micro solenoid valve: the actuator is totally isolated from the fluid so that the wetted parts are just the body and the diaphragm.
 Reduced internal volume: 67µl. Possibility of disassembling for inspection.
 The parts subject to sliding friction are duly coated by PTFE (polytetrafluoroethylene) based self lubricating material.
 Suitable to shut off liquid and gaseous fluids (verify the compatibility of fluid with materials in contact).

► **TECHNICAL FEATURES**

Maximum allowable pressure (PS) 3 bar
Opening time ~20ms
Closing time ~30ms
Fluid temperature -10°C +80°C
Max viscosity 5°E (~37 cStokes or mm²/s)

► **MATERIALS IN CONTACT WITH FLUID**

Body PA 12 (polyamide)
Sealing EPDM

► **COIL**

Continuous duty ED 100%
Encapsulation material PA (polyamide) fiberglass reinforced
Yoke External in zinc plated steel
Insulation class F (155°C)
Ambient temperature -10°C +60°C
Electric connections DIN 46340
Protection degree IP 40 (EN 60529) with female wire terminals 2,8x0,5 totally insulated
Voltages DC 12-24V (+10% -5%)
 (Other voltages on request)

Port size	Orifice size (mm)	Differential pressure (bar)				Kv (m ³ /h)	Series and type		Power absorption			Sealings	Notes	Weight (kg)	
		Δp min	Δp max				Valve	Coil	AC (VA)		DC (W)				
			Gases		Liquids				Inrush	Holding					
			AC	DC	AC										DC
Sub-base	1,5	0	-	2	-	2	0,03	D151D04	ZE30A	-	-	4	EPDM	1	0,040

► **NOTES**

- Sealings: EPDM = Ethylene-propylene elastomer
 1 - Suitable for vacuum at any port up to 530mmHg (0,7 bar)

