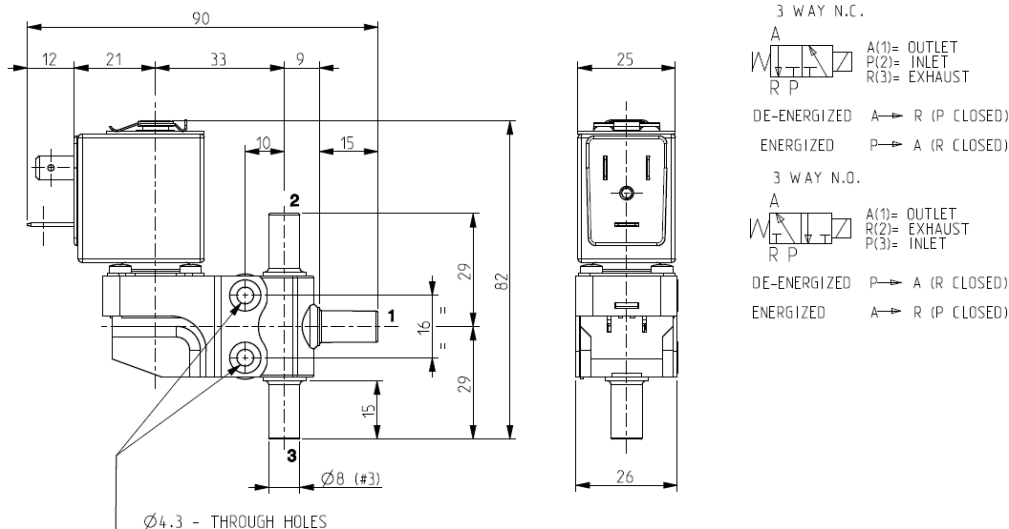




SOLENOID VALVE - DRY
3/2 – NC (Normally closed) - NO (Normally open)
Direct acting - Total isolation
Barbed port

D318



► **GENERAL FEATURES**

Direct acting, total isolation solenoid valve: the actuator is totally isolated from the fluid so that the wetted parts are just the body and the lever-seal.

Possibility of disassembling for inspection.

Core duly coated by PTFE (polytetrafluoroethylene) based self lubricating material.

Suitable to shut off liquid and gaseous fluids (verify the compatibility of fluid with materials in contact).

► **TECHNICAL FEATURES**

<i>Maximum allowable pressure (PS)</i>	12 bar
<i>Opening time</i>	~ 25ms
<i>Closing time</i>	~ 25ms
<i>Fluid temperature</i>	-10°C +100°C
<i>Max viscosity</i>	5°E (~37 cStokes or mm ² /s)

► **MATERIALS IN CONTACT WITH FLUID**

<i>Body</i>	PEI (Polyetherimide)
<i>Sealing</i>	EPDM or VMQ or FPM

► **COIL**

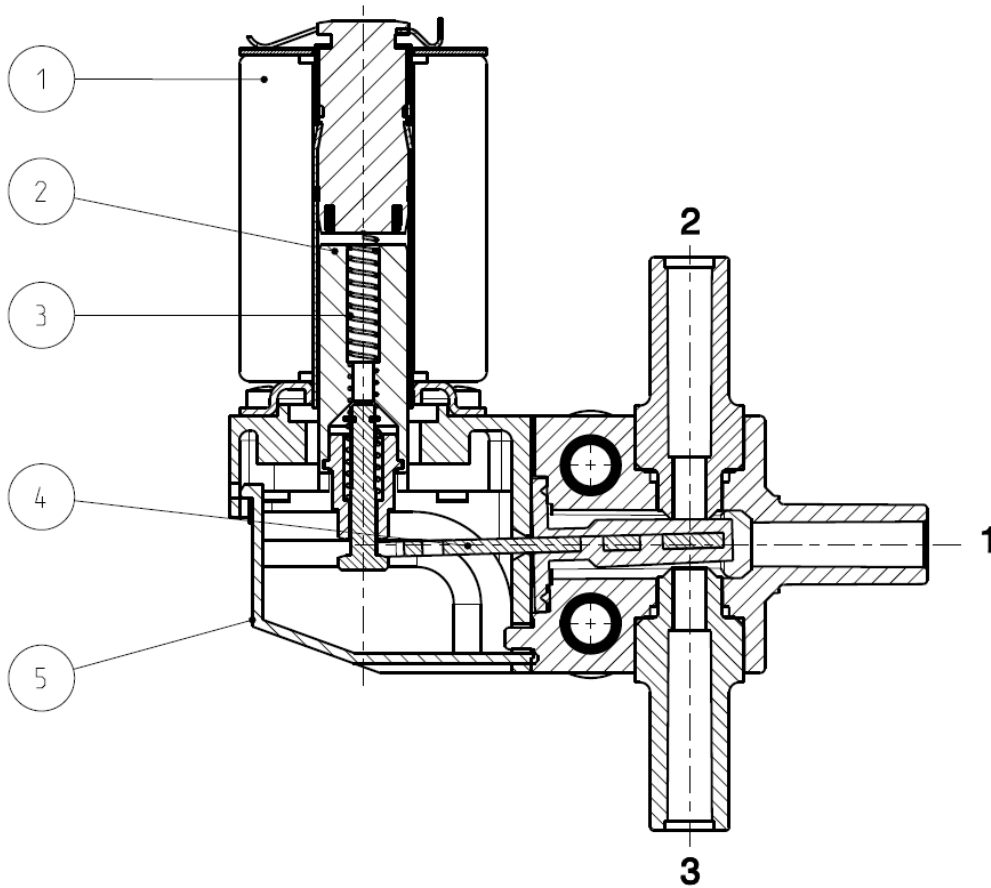
<i>Continuous duty</i>	ED 100%
<i>Encapsulation material</i>	PET (polyethylene terephthalate) fiberglass reinforced
<i>Coil insulation class</i>	F (155°C)
<i>Ambient temperature</i>	-10°C +60°C
<i>Electric connections</i>	DIN 46340 - 3 poles connector
<i>Protection degree</i>	IP 65 (EN 60529) with plug connector
<i>Voltages DC</i>	12-24V (+10% -5%)
<i>AC</i>	24V/50-60Hz - 110V/50-60Hz (120V/60Hz) 230V/50-60Hz (+10% -15%)
	(Other voltages and frequencies on request)
<i>On request</i>	UL approved version (see notes)

Port size	Orifice size (mm)	Differential pressure (bar)				Kv (m ³ /h)	Series and type		Power absorption			Sealings	Use Notes	Weight (kg)
		Δp min	Δp max		Valve		Coil	AC (VA)		DC (W)				
			Gases	Liquids				Inrush	Holding					
			AC	DC	AC	DC								
Barbed port	3,4	0	1	1	1	1	D318D03C	Z610A	16	10	6	EPDM	NC - 1	0,180
							D318S03C							
			D318V03C											
			D318D03A											
			D318V03A											
			2,5	2	2,5	2								

► **NOTES**

- Sealings : EPDM = Ethylene-propylene elastomer FPM = Fluoro-carbon elastomer VMQ = Silicone elastomer
- On request UL approved coil (Z614A - class "H" - ambient temperature -10°C +60°C)
- 1 - Suitable for diverting operation with Δp max=6 bar (inlet pressure at port 1 by using either port 2 or 3 as outlets free from throttling).
- 2 - Model available on request only: ask for minimum quantity.

► SPARE PARTS



Kit description	Kit P.N.	Consisting of:
Core kit D318D-S-V03C D318D-V03A	G3049601 G3049602	Core pos.2 Core return spring pos.3
Lever seal D318D03C-D03A D318S03C D318V03C-V03A	2815206R 2815202R 2815203R	Lever seal pos.4
Cover kit	G2883901	N. 10 cover pos. 5
Coil	Z610A	Coil pos. 1

► MOUNTING

- Solenoid valve can be mounted in any position.

THE VALIDITY OF REPORTED DATA IS REFERRED TO THE DATE OF ISSUE. POSSIBLE UPDATES ARE AVAILABLE ON REQUEST.