



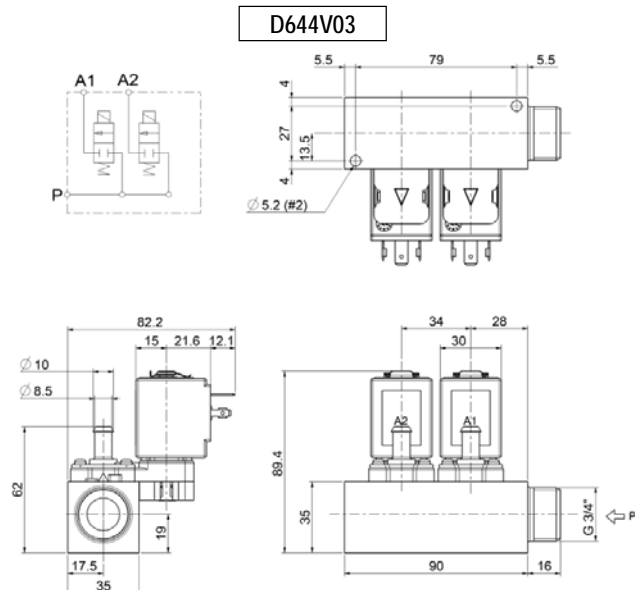
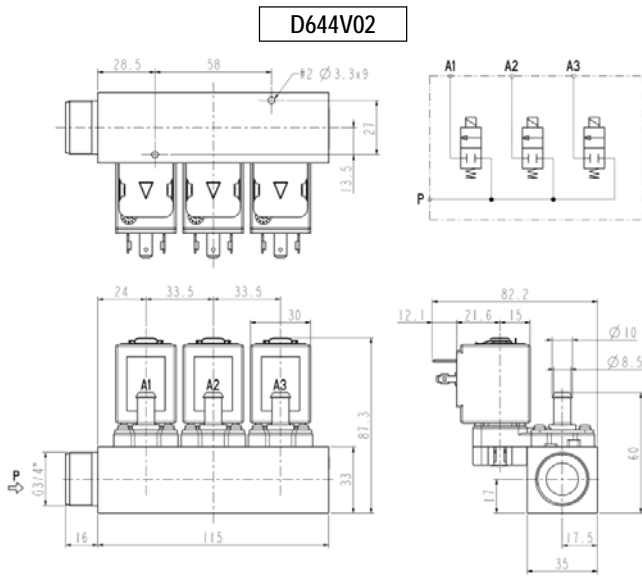
MANIFOLD WITH 2 or 3 SOLENOID VALVES - DRY

2/2 - NC (Normally closed)

Direct acting - Total isolation

G 3/4 - Barbed ports

D644



► GENERAL FEATURES

Total isolation manifold with 2 or 3 direct acting solenoid valves.
 Possibility of disassembling for inspection.
 Core duly coated by PTFE (polytetrafluoroethylene) based self lubricating material.
 Suitable to shut off liquid and gaseous fluids (verify the compatibility of fluid with materials in contact).

► TECHNICAL FEATURES

Maximum allowable pressure (PS) 6 bar
 Opening time ~ 25ms
 Closing time ~ 25ms
 Fluid temperature -10°C +100°C
 Max viscosity 5°E (~37 cStokes or mm²/s)

► MATERIALS IN CONTACT WITH FLUID

Valve body PEI (Polyetherimide)
 Sealing FPM
 Manifold POM (Reinforced acetal copolymer)

► COIL

Approval UL (class F) – for UL cl.H: ZA34
 Continuous duty ED 100%
 Encapsulation material PPS (Polyphenilsulfure) fiberglass reinforced
 Coil insulation class F (155°C)
 Ambient temperature -10°C +50°C
 Electric connections DIN 46340 – 3 poles connector (EN175301-803)
 Protection degree IP 67 (EN 60529) with plug connector
 Voltages DC 12-24V (+10% -5%)
 AC 24V/50Hz - 110V/50Hz (120V/60Hz) - 230V/50Hz (+10% -15%)

	ZA10A	ZA32A
Approval	UL (class F) – for UL cl.H: ZA34	
Continuous duty	ED 100%	
Encapsulation material	PPS (Polyphenilsulfure) fiberglass reinforced	PET (polyethylene terephthalate) fiberglass reinforced
Coil insulation class	F (155°C)	
Ambient temperature	-10°C +50°C	
Electric connections	DIN 46340 – 3 poles connector (EN175301-803)	
Protection degree	IP 67 (EN 60529) with plug connector	IP 65 (EN 60529) with plug connector
Voltages	DC	-
	AC	24V/50-60Hz (+10% -15%)

(Other voltages and frequencies on request)

Port size	Orifice size (mm)	Differential pressure (bar)				Kv ▲ (m ³ /h)	N° of Solenoid valves	Series and type		Power absorption ■			Sealings	Notes	Weight (kg)
		Δp min	Δp max		Valve			Coil	AC (VA)		DC (W)				
			Gases	Liquids					Inrush	Holding					
P: G 3/4 A: Barbed ports	5,5	0	3	1	1	0,55	2	D644V03	ZA10A	23	14	9	FPM	1	0,550
				-	-				ZA32A			-		2	
				1	1			D644V02	ZA10A	23	14	9		1	
				-	-				ZA32A			-		2	

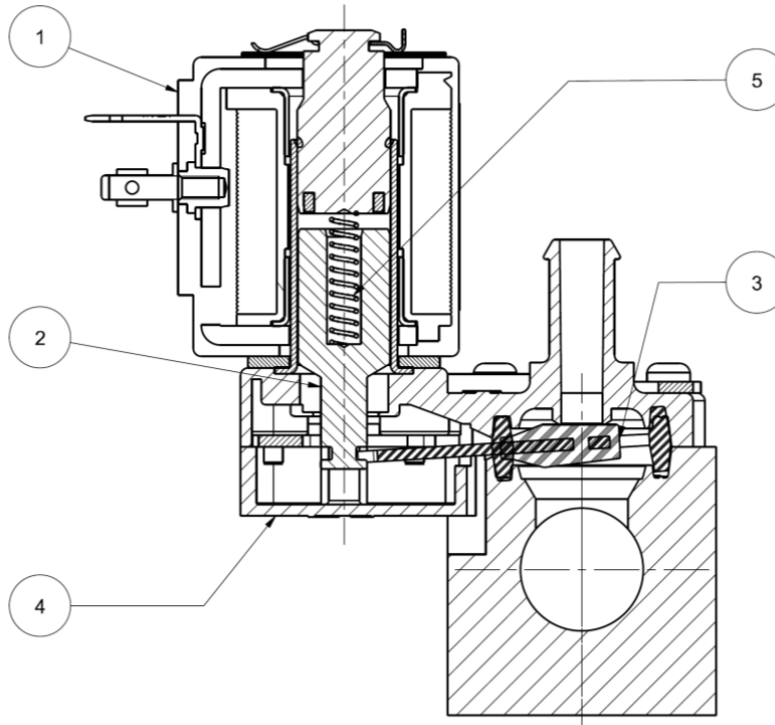
▲ - Value referred to each single solenoid valve. ■ - Power absorption of a single coil.

► NOTES

- Sealings : FPM = Fluoro-carbon elastomer
 - UL approved coil (E153691)
 1 - IMQ CSV approval, see ZA10 datasheet for further details
 2 - Δp max is 2 bar, while using coil ZA32A at 60Hz.

D644

► SPARE PARTS



Kit description

Core kit

Lever seal

Cover

Coil

Kit P.N.

G3136701

2977702R

3119801R

ZA10A
ZA32A

Consisting of:

Core pos.2
Core return spring pos.5

Lever seal pos.3

Cover pos.4

Coil pos. 1

► INSTALLATION

- Manifold can be mounted in any position.

THE VALIDITY OF REPORTED DATA IS REFERRED TO THE DATE OF ISSUE. POSSIBLE UPDATES ARE AVAILABLE ON REQUEST.