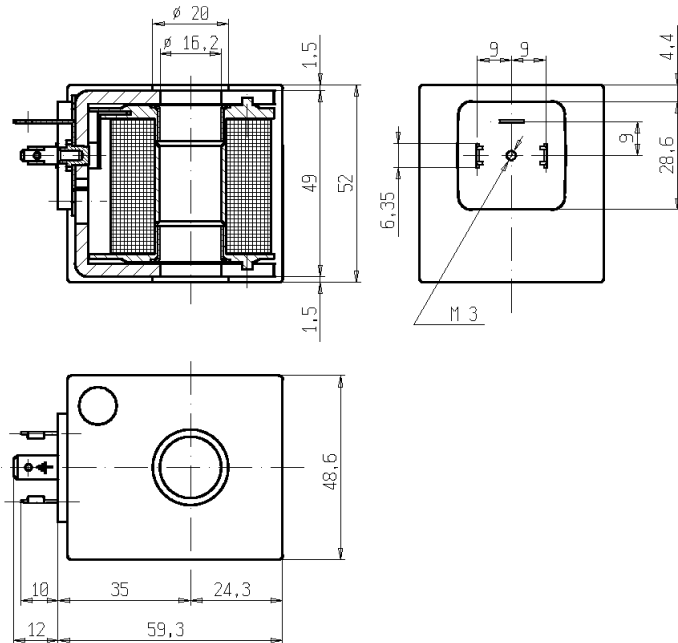




COIL

Spade terminals (DIN46340)

Z923



► GENERAL FEATURES

Complying with 2014/35/EC directive.
Product in accordance with the RoHS 2 directive.
100% inspected.

► ELECTRIC CONNECTIONS

Spade terminals 6,3 x 0,8 (DIN46340), 2 line + 1 earth terminals.
3 poles plug connector (EN175301-803)

► ENCAPSULATION MATERIALS

PPS (Polyphenilsulfure) fiberglass reinforced

► TECHNICAL FEATURES

Duty

Z923A - Z923E: ED 100%

Z923G: ED 60%

Insulation class

H (165°C)

Ambient temperature

-10°C +80°C

Protection degree

IP 65 (EN 60529) with plug connector

Voltages

DC

12-24V (+10% -5%)

AC

24V/50Hz - 110V/50Hz (120V/60Hz) -

230V/50Hz (+10% -15%)

(Other voltages and frequencies on request).

TYPE	POWER ABSORPTION			NOTES	WEIGHT (kg)
	AC (VA)		DC (W)		
	Inrush	Holding			
Z923A	50	27	17	-	0,520
Z923E	65	33	21	-	
Z923G	150	46	-	1	

► NOTES

1- Discontinuous duty ED 60%.

THE VALIDITY OF REPORTED DATA IS REFERRED TO THE DATE OF ISSUE. POSSIBLE UPDATES ARE AVAILABLE ON REQUEST.

1404/1606

