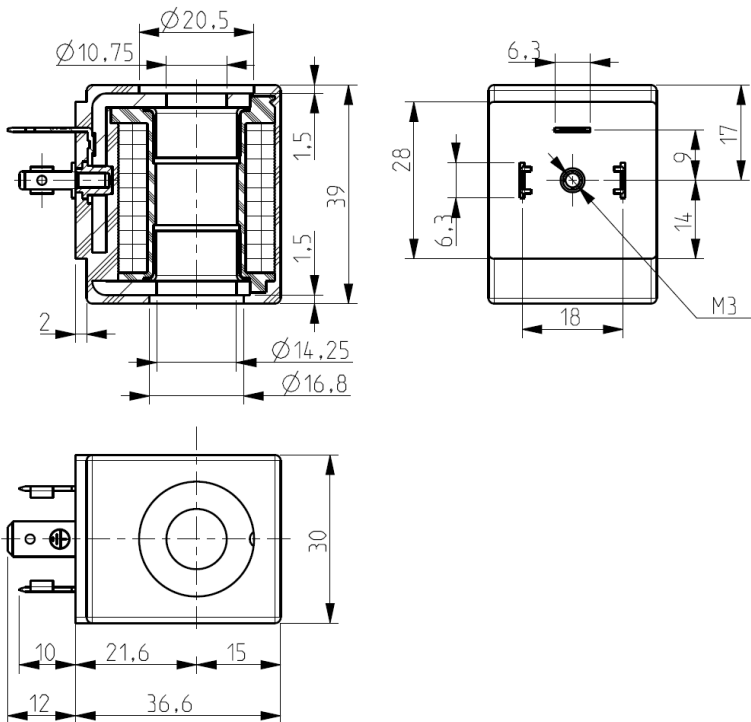




# COIL

## Spade terminals (DIN 46340)

# ZA10



### ► GENERAL FEATURES

Complying with 2014/35/EU (LVD) and 2014/30/EU (EMC) directives.  
 Product in accordance with the RoHS 2 directive.  
 100% inspected.

### ► ELECTRIC CONNECTIONS

Spade terminals 6,3 x 0,8 (DIN 46340), 2 line + 1 earth terminals.  
 3 poles plug connector (EN175301-803).

### ► ENCAPSULATION MATERIALS

PPS (Polyphenilsulfure) fiberglass reinforces

### ► TECHNICAL FEATURES

<i>Approval</i>	"UL Recognized" (class F)
<i>Continuous duty</i>	ED 100%
<i>Insulation class</i>	F (155°C) – H (180°C)
<i>Ambient temperature</i>	Class F: -10°C +50°C Class H: -10°C +80°C
<i>Protection degree</i>	IP 67 (EN 60529) with plug connector
<i>Voltages</i>	DC 12-24V (+10% -5%) AC 24V/50Hz - 115V/50Hz - 230V/50 (+10% -15%)
	For the complete voltage list, see overleaf

TYPE		POWER ABSORPTION			NOTES	WEIGHT (kg)
		AC (VA)		DC (W)		
BASIC CODE	CLASS/VOLTAGE CODE	Inrush	Holding			
ZA10A	** See overleaf	23	14	9	1-2	0,130
ZA10B		-	-	10		
ZA10G		-	-	12		

### ► NOTES

- approval (valid only if associated with the certified valves; for more information, see overleaf)
- UL class F - approval (N°E153691)



# ZA10

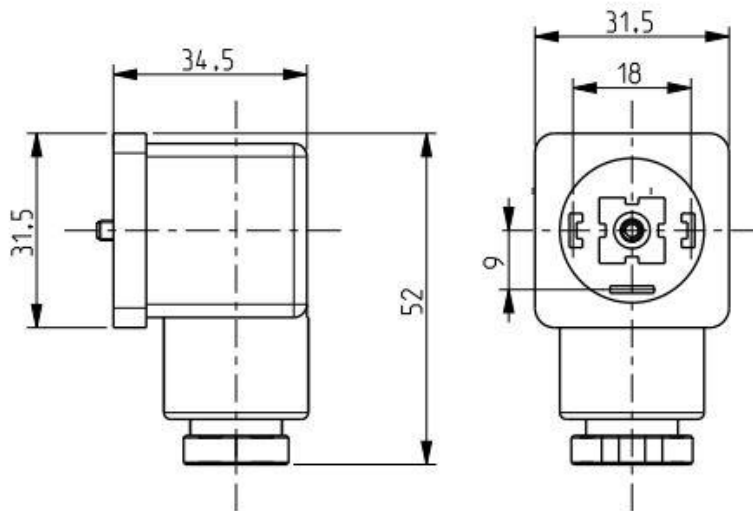
## ► CODIFICATION TABLE

** IMQ – CSV and UL class F certified voltage codes																					
CLASS CODE		12V/50Hz		24V/50Hz		110V/50Hz 120V/60Hz		115V/50Hz		220V/50Hz 240V/60Hz		230V/50Hz		240V/50Hz		12V DC		24V DC		207V DC	
		F	H	F	H	F	H	F	H	F	H	F	H	F	H	F	H	F	H	F	H
ZA10A		EG	JG	FL	HL	F0	H0	FT	HT	F6	H6	F8	H8	FP	HP	F3	H3	F1	H1	-	-
ZA10B		-	-	-	-	-	-	-	-	-	-	-	-	-	-	F3	H3	F1	H1	-	-
ZA10G		-	-	-	-	-	-	-	-	-	-	-	-	-	-	F3	H3	F1	H1	EE	JE

IMQ certified valve bodies (L113 – L120 – L121 – L122 – L123 – L127 – L128 – L133 – L134 – L140 – L182 – L191 – L208 – L256 – L257 – L282 – L320 – L321 – L323 – L334 – L621 – L893 – L898 – L957 – L962 – L993 – D105 – D136 – D644 – D605)

\*\* : the complete coil code is composed of the basic code plus the class/voltage code (e.g. **ZA10AF8** = ZA10A coil – Class F – 230V/50Hz)

## ► ACCESSORIES



### Description

IP67 connector, EN175301-803 stile A (ex DIN 43650-A), ISO 4400.

### Code

512468-001

