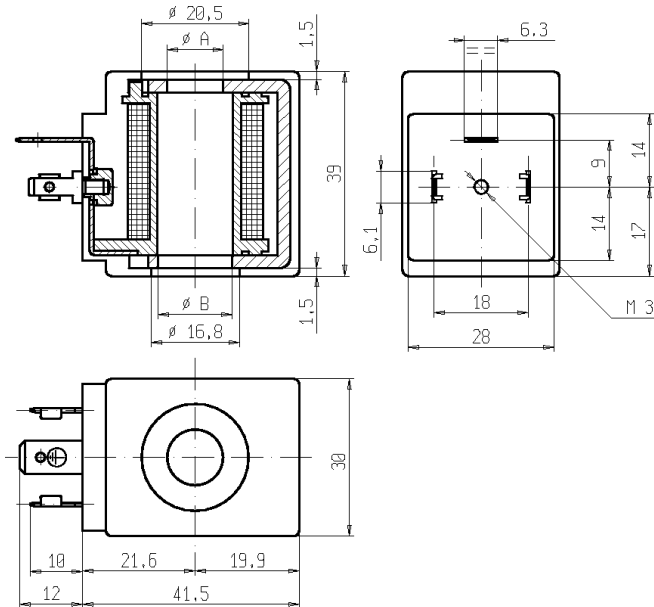




COIL

Spade terminals (DIN 46340)

ZA32



► GENERAL FEATURES

Complying with 73/23/EC (Low voltage), 2004/108/EC (EMC) directives and relative modification.
Complying with VDE 0580 standard (100% inspected).

► ELECTRIC CONNECTIONS

Spade terminals 6,3 x 0,8 (DIN46340), 2 line + 1 earth terminals.
3 poles plug connector (EN175301-803).

► ENCAPSULATION MATERIALS

PET (polyethylene terephthalate) fiberglass reinforced; (black colour).

► TECHNICAL FEATURES

Continuous duty ED 100%
Insulation class F (155°C)
Ambient temperature -10°C +50°C
Protection degree IP 65 (EN 60529) with plug connector
Voltages AC ZA32A : 24V/50-60Hz
100V/50-60Hz
115-120V/60Hz (UL)
200V/50-60Hz
220-230V/50Hz - 208-240V/60Hz (UL)
220-240V/50Hz
(+10% -15%)
DC ZA32A: 24V (UL) - (+10% -5%)
ZA32K: 24V (UL) (+10% -5%)

| TYPE | POWER ABSORPTION | | | HOLES | | NOTES | WEIGHT (kg) |
|-------|------------------|---------|--------|-------|------|-------|-------------|
| | AC (VA) | | DC (W) | ØA | ØB | | |
| | Inrush | Holding | | | | | |
| ZA32A | 23 | 14 | 9 | 10,7 | 14,2 | - | 0,140 |
| ZA32K | - | - | 10 | | | | |

► NOTES

Coil specially designed for L120 – L121 – L321 – L334 series. In some cases the use of ZA32 as substitute for ZA30 can cause the reduction of performances: please refer to the data sheet of the relative solenoid valve.

THE VALIDITY OF REPORTED DATA IS REFERRED TO THE DATE OF ISSUE. POSSIBLE UPDATES ARE AVAILABLE ON REQUEST.

07/2/1310