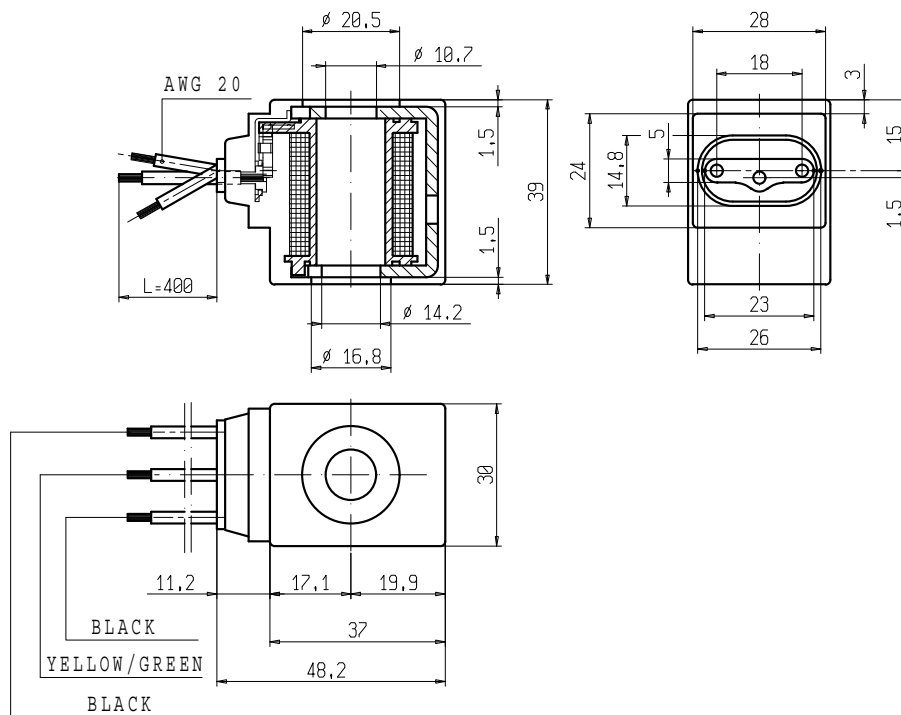




COIL Flying leads

ZA35A



► GENERAL FEATURES

Complying with 2014/35/EU (LVD) and 2014/30/EU (EMC) directives.
Product in accordance with the RoHS 2 directive.
100% inspected.

► ELECTRIC CONNECTIONS

- N° 3 wires AWG 20 (2 line + earth), length 400mm.

► ENCAPSULATION MATERIALS

PET (polyethylene terephthalate) fiberglass reinforced (black colour)

► TECHNICAL FEATURES

| | |
|----------------------------|--|
| <i>Continuous duty</i> | ED 100% |
| <i>Insulation class</i> | F (155°C) |
| <i>Ambient temperature</i> | -10°C +60°C |
| <i>Protection degree</i> | IP 66 (EN 60529) |
| <i>Voltages DC</i> | 12-24V (+10% -5%) |
| <i>AC</i> | 24V/50Hz – 110V/50Hz (120V/60Hz) - 230V/50Hz (+10% -15%) (Other voltages and frequencies on request) |

| TYPE | POWER ABSORPTION | | | NOTES | WEIGHT (kg) |
|-------|------------------|---------|--------|-------|-------------|
| | AC (VA) | | DC (W) | | |
| | Inrush | Holding | | | |
| ZA35A | 23 | 14 | 9 | - | 0,145 |

THE VALIDITY OF REPORTED DATA IS REFERRED TO THE DATE OF ISSUE. POSSIBLE UPDATES ARE AVAILABLE ON REQUEST.

0804/1606