

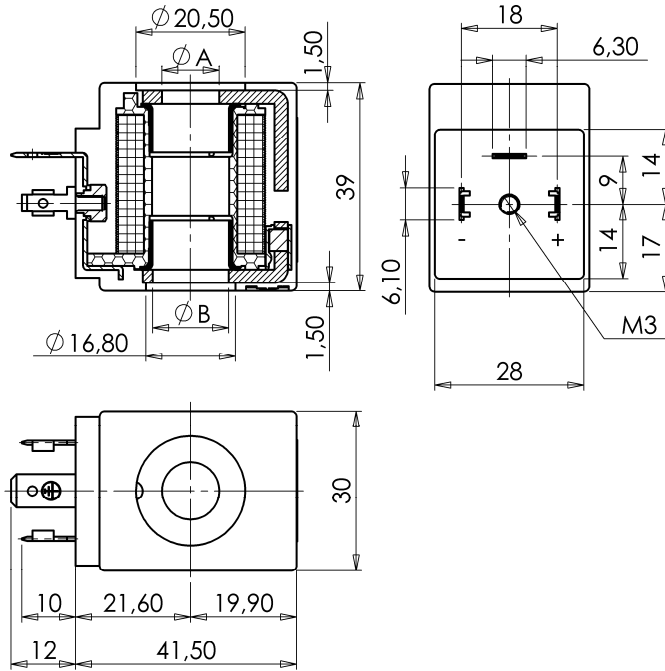


COIL

Spade terminals (DIN 46340)

ZA70
LATCHING MODEL

ZA70



► GENERAL FEATURES

Complying with 73/23/EC (Low Voltage), 2004/108/EC (EMC) directives and relative modification.

Complying with VDE 0580 standard (100% inspected).

► ELECTRIC CONNECTIONS

Spade terminals 6,3 x 0,8 (DIN46340), 2 line + 1 earth terminals.
3 poles plug connector (DIN 43650).

► ENCAPSULATION MATERIALS

PP-V0 (Self-extinguishing polypropylene); black colour.

► TECHNICAL FEATURES

Insulation class

A (105°C)

Ambient temperature

-10°C +60°C

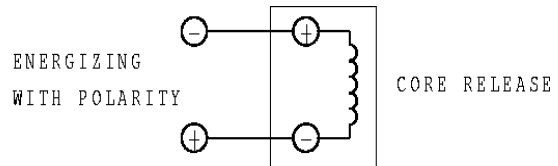
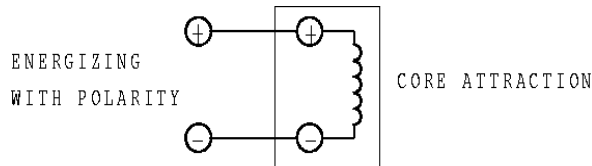
Protection degree

IP 65 (EN 60529) with plug connector

Voltages DC

6-12V (+10% -5%)

(Other voltages on request).



TYPE	POWER ABSORPTION			HOLES		NOTES	WEIGHT (kg)
	AC (VA)		DC (W)	ØA	ØB		
	Inrush	Holding					
ZA70A	-	-	6	10,7	14,2	-	0,14
ZA70C			3				
ZA70F			9				

THE VALIDITY OF REPORTED DATA IS REFERRED TO THE DATE OF ISSUE. POSSIBLE UPDATES ARE AVAILABLE ON REQUEST.

0305