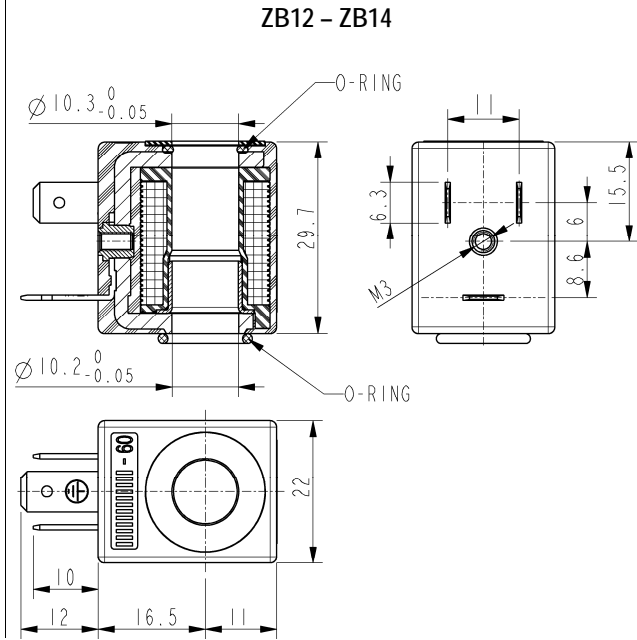
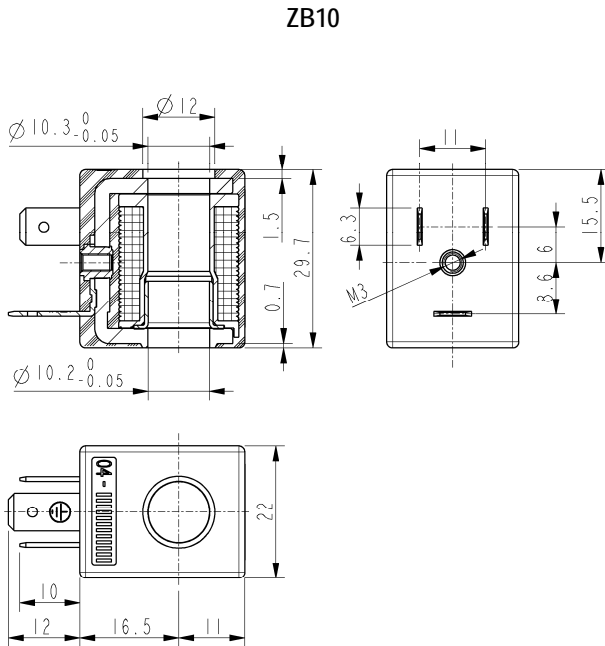




# COIL

## Spade terminals (DIN 46340)

# ZB



### ► GENERAL FEATURES

Complying with 73/23/EC (Low Voltage), 2004/108/EC (EMC) directives and relative modification.  
Complying with VDE 0580 standard (100% inspected).

### ► ELECTRIC CONNECTIONS

Spade terminals 6,3 x 0,8 (DIN46340), 2 line + 1 earth terminals.  
3 poles plug connector.

### ► TECHNICAL FEATURES

	ZB10	ZB12	ZB14
<i>Approval</i>	/	UL and CSA	UL and CSA
<i>Encapsulation material</i>	PA (Polyamide) fiberglass reinforced	PET (polyethylene-terephthalate) fiberglass reinforced	PET (polyethylene-terephthalate) fiberglass reinforced
<i>Insulation class</i>	F (155°C)	F (155°C)	H (180°C)
<i>Ambient temperature</i>	-10°C +60°C	-10°C +60°C	-10°C +75°C
<i>Continuous duty</i>	ED 100%		
<i>Protection degree</i>	IP 65 (EN 60529) with plug connector	IP 67 (EN 60529) with plug connector	IP 67 (EN 60529) with plug connector
<i>Voltages DC</i>	12-24V (+10% -5%)		
<i>AC</i>	24V/50-60Hz - 115V/50Hz - 230V/50-60Hz (+10% -15%)		
	(Other voltages and frequencies on request).		

TYPE	POWER ABSORPTION				NOTES	WEIGHT (kg)
	AC			DC		
	Inrush	Holding				
VA	VA	W	W			
ZB10A	12	6	4	5,5	1	0,060
ZB12A						
ZB14A						
ZB10C	6	3,5	2,5	3		
ZB12C						
ZB14C						

### ► NOTES

1 – ZB12 and ZB14 coils fitted with sealing gaskets underneath and on the upper part (see drawing)

THE VALIDITY OF REPORTED DATA IS REFERRED TO THE DATE OF ISSUE. POSSIBLE UPDATING ARE AVAILABLE ON REQUEST

0903/1103