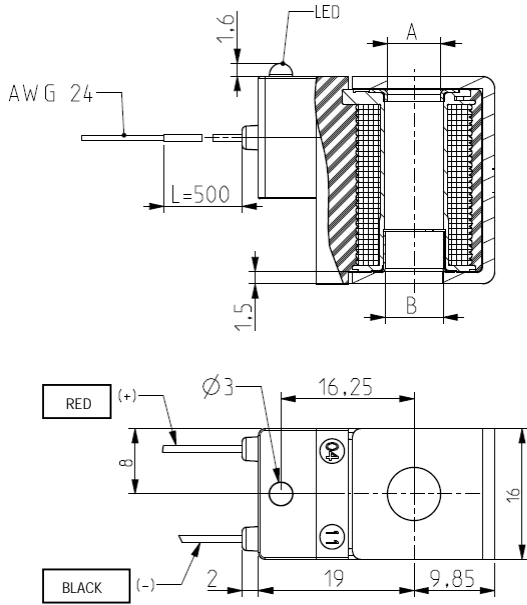




**COIL**  
Flying leads  
WITH BUILT-IN PWM CIRCUIT

**ZE37M**



► **GENERAL FEATURES**

Complying with 2014/35/EU (LVD) directive.  
Zinc plated external steel yoke.  
Product in accordance with the RoHS 2 directive.  
100% inspected.

► **ELECTRIC CONNECTION**

N° 2 wires AWG 24 length 500mm.

► **TECHNICAL FEATURES**

<i>Continuous duty</i>	ED 100%
<i>Coil insulation class</i>	F (155°C)
<i>Ambient temperature</i>	-10°C +60°C
<i>Protection degree</i>	IP 66 (EN 60529)
<i>Voltages</i> DC	12-24V (+10% -5%)

► **ENCAPSULATION MATERIALS**

PA (polyamide) fiberglass reinforced; black colour

TYPE	POWER ABSORPTION		HOLES		NOTES	WEIGHT (kg)
	DC (W)		ØA	ØB		
	Inrush ♦	Holding				
ZE37M	8	1.5	6,5	7	-	0,034

► **NOTES**

♦ - Duration 200ms

THE VALIDITY OF REPORTED DATA IS REFERRED TO THE DATE OF ISSUE. POSSIBLE UPDATES ARE AVAILABLE ON REQUEST.

1406/1606