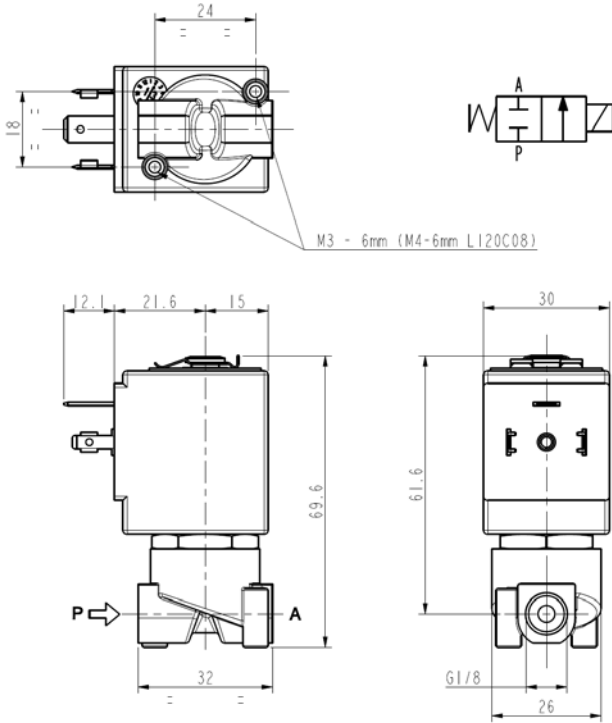




SOLENOID VALVE
2/2- NC (Normally closed)
Direct acting
G 1/8

L120N02



► **GENERAL FEATURES**

Direct acting solenoid valve, small body size.
 Suitable to shut off liquid and gaseous fluids; particularly suitable to shut off refrigerating fluids (verify the compatibility of fluid with material in contact).

► **TECHNICAL FEATURES**

Maximum allowable pressure (PS) 40 bar
 Opening time ~ 20 ms
 Closing time ~ 20ms
 Fluid temperature -10°C +90°C
 Max viscosity 5°E (~37 cStokes or mm²/s)

► **MATERIALS IN CONTACT WITH FLUID**

Body Brass
 Sealing CR70N
 Internal components Stainless steel
 Seat Brass
 Core tube Stainless steel
 Shading coil Copper

► **COIL**

Approval UL (Class F) – for UL cl. H: ZA34
 Continuous duty ED 100%
 Encapsulation material PPS (Polyphenylsulfure) fiberglass reinforced
 Insulation class F (155°C) on request class H (180°C)
 Ambient temperature -10°C +50°C
 Electric connection DIN 46340 - 3 poles plug-connectors (EN175301-803)
 Protection degree IP67 (EN 60529) with plug-connector
 Voltages DC 12-24V (+10% -5%)
 AC 24V/50Hz - 110V/50Hz (120V/60Hz) - 230V/50Hz (+10% -15%)
 (Other voltages and frequencies on request)

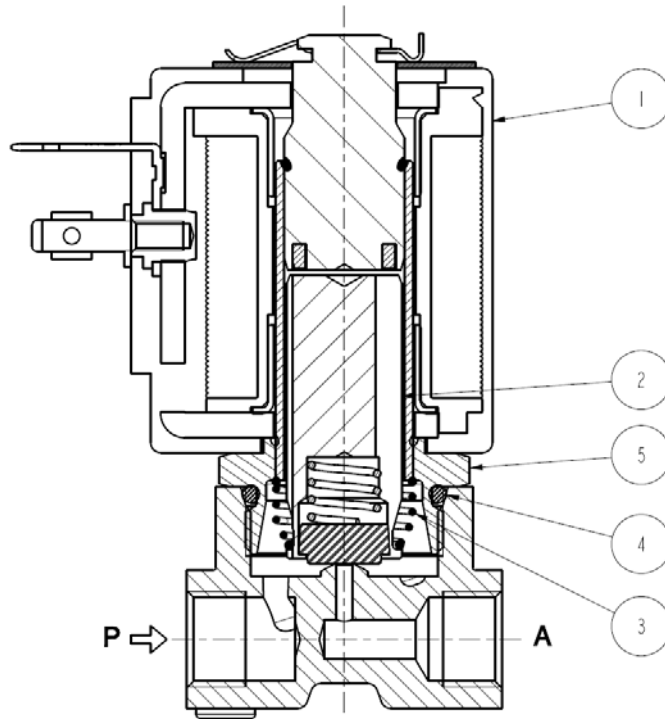
Port size ISO 228	Orifice size (mm)	Differential pressure (bar)				Kv (m ³ /h)	Series and type		Power absorption			Sealings	Notes	Weight (kg)	
		Δp min	Δp max				Valve	Coil	AC (VA)		DC (W)				
			Gases		Liquids				Inrush	Holding					
			AC	DC	AC										DC
G 1/8	3	0	20	15	20	15	0,18	L120N02	ZA10A	23	14	9	CR70N	-	0,260

► **NOTES**

- Sealings: CR70N = Chloroprene elastomer.
- UL approved coil (E153691)
- IMQ CSV approval, see ZA10 datasheet for further details

L120N02

► SPARE PARTS



Kit description	Kit P.N.	Consisting of:
Core kit	G3022805	Core (with core return spring) pos. 2 OR guide assembly pos.4
Core return spring kit	G3022401	N.10 core return spring pos.3
OR guide assembly kit	GU244500017	N.10 OR guide assembly pos.4
Guide assembly kit	G31486	Guide assembly pos.5 Coil clip
Coil	ZA10A	Coil pos.1

► INSTALLATION

- Solenoid valve can be mounted in any position; vertical with coil upwards preferred.

THE VALIDITY OF REPORTED DATA IS REFERRED TO THE DATE OF ISSUE. POSSIBLE UPDATES ARE AVAILABLE ON REQUEST