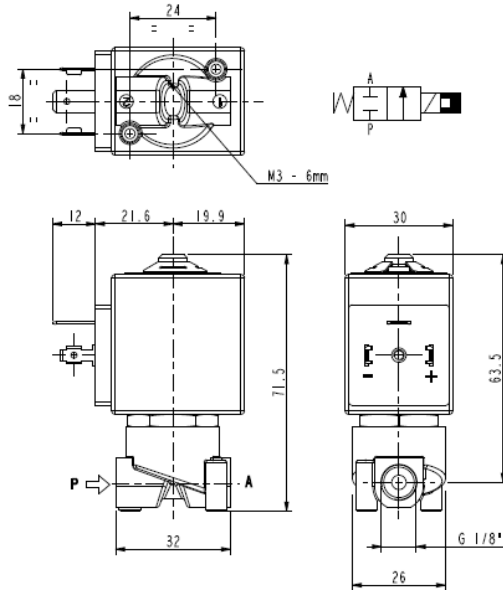




**SOLENOID VALVE**  
**2/2 – NC (Normally closed)**  
**Direct acting**  
**G1/8**

**L120V10**  
**LATCHING MODEL**



► **GENERAL FEATURES**

Direct acting solenoid valve.  
 Suitable to shut off liquid and gaseous fluids (verify the compatibility of fluid with materials in contact).

► **TECHNICAL FEATURES**

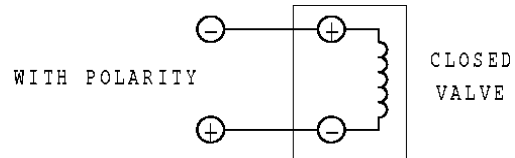
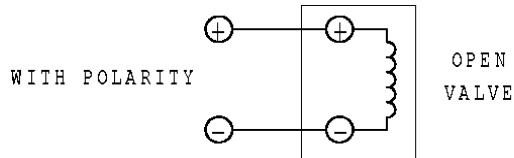
Maximum allowable pressure (PS) 20 bar  
 Opening time ≤ 30 ms  
 Closing time ≤ 30 ms  
 Fluid temperature -10°C +85°C  
 Max viscosity 5°E (37 cStokes or mm<sup>2</sup>/s)

► **MATERIALS IN CONTACT WITH FLUID**

Body Brass  
 Sealing FPM  
 Internal components Stainless steel  
 Seat Brass  
 Core tube Stainless steel

► **COIL**

Duty Latching model, polarized type. Operating by impulses  
 30 ms  
 Minimum energizing time  
 Encapsulation material PP-V0 (self-extinguishing polypropylene)  
 Insulation class A (105°C)  
 Ambient temperature -10°C +60°C  
 Electric connections DIN 46340 - 3 poles connectors (EN 175301-803)  
 Protection degree IP 65 (EN 60529) with plug connector  
 Voltages DC 6-12V (+10% -10%)  
 (Other voltages on request)

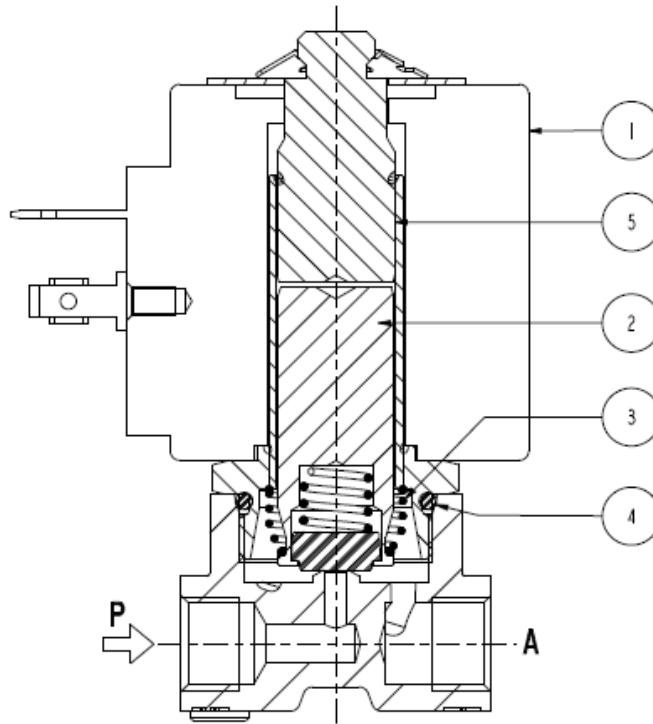


Port size	Orifice size (mm)	Differential pressure (bar)				Kv (m <sup>3</sup> /h)	Series and type		Power absorption			Sealings	Notes	Weight (kg)	
		Δp min	Δp max				Valve	Coil	AC (VA)		DC (W)				
			Gases		Liquids				Inrush	Holding					
			AC	DC	AC										DC
G1/8	2,3	0	-	9	-	9	0,15	L120V10	ZA70A	-	-	6	FPM	-	0,270

► **NOTES**

- Sealings: FPM = Fluoro-carbon elastomer (complying with FDA standards)

► SPARE PARTS



Kit description	Kit P.N.	Consisting of :
Core kit	G3022803	Core pos. 2 Core return springs pos. 3 OR guide assembly pos. 4
Core return spring kit	G3022401	N.10 Core return springs pos. 3
Guide assembly	3096301R	Guide assembly pos. 5
Coil	ZA70A	Coil pos. 1

► INSTALLATION

- Solenoid valve can be mounted in any position; vertical with coil upwards preferred.

THE VALIDITY OF REPORTED DATA IS REFERRED TO THE DATE OF ISSUE. POSSIBLE UPDATES ARE AVAILABLE ON REQUEST