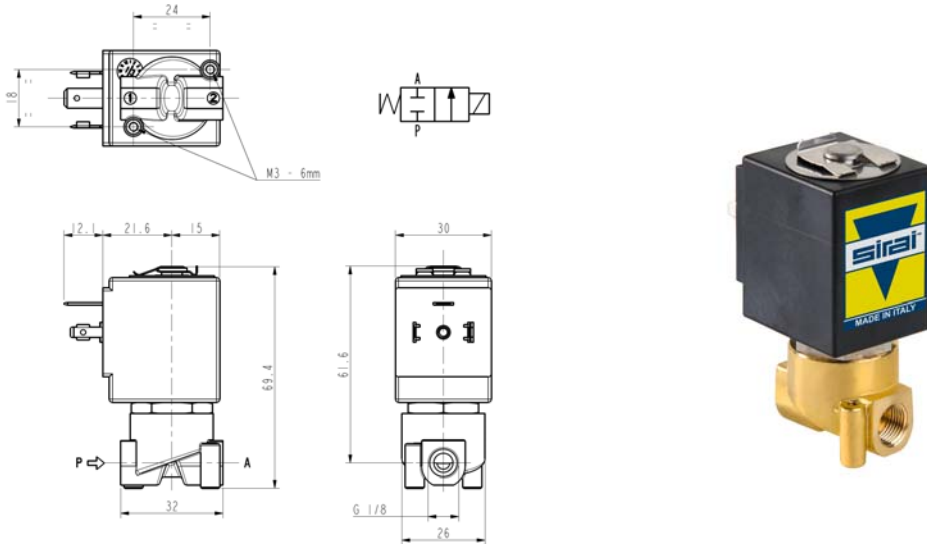




SOLENOID VALVE
2/2- NC (Normally closed)
Direct acting
G 1/8

L120



► **GENERAL FEATURES**

Direct acting solenoid valve, small body size.
 Suitable to shut off liquid and gaseous fluids (verify the compatibility of fluid with material in contact).

► **TECHNICAL FEATURES**

Maximum allowable pressure (PS) 40 bar
 Opening time ~ 20ms
 Closing time ~ 20ms
 Fluid temperature
 -10°C +170°C (RUBY)
 0°C +130°C (FPM)
 Max viscosity 5°E (~37 cStokes or mm²/s)

► **APPROVALS**

UL (Class F) approval – for UL c.l.H: ZA34
 IMQ CSV approval, see ZA10 data sheet for further details
 Compliant with MD 174/2004 and Reg. CE 1935/2004

► **MATERIALS IN CONTACT WITH FLUID**

Body Brass
 Sealing RUBY or FPM
 Internal components Stainless steel
 Seat Brass or stainless steel
 Core tube Stainless steel
 Shading coil Copper

► **COIL**

Continuous duty ED 100%
 Encapsulation material PPS (Polyphenilsulfure) fiberglass reinforced
 Insulation class F (155°C) on request class H (180°C)
 Ambient temperature -10°C +50°C
 Electric connection DIN 46340 - 3 poles plug-connectors (EN175301-803)
 Protection degree IP67 (EN 60529) with plug-connector
 Voltages DC 12-24V (+10% -5%)
 AC 24V/50Hz - 110V/50Hz (120V/60Hz) - 230V/50Hz (+10% -15%)
 (Other voltages and frequencies on request)



| Port size ISO 228 | Orifice size (mm) | Differential pressure (bar) | | | | Kv (m ³ /h) | Series and type | | Power absorption | | | Sealings | Notes | Weight (kg) |
|----------------------|-------------------------|-----------------------------|--------|---------|-------|---------------------------|-----------------|---------|------------------|-----------|---------|----------------|-------|----------------|
| | | Δp min | Δp max | | Valve | | Coil | AC (VA) | | DC (W) | | | | |
| | | | Gases | Liquids | | | | Inrush | Holding | | | | | |
| G 1/8 | 1,6 | 0 | AC | DC | AC | DC | L120C01 | 23 | 14 | 9 | RUBY | 1-2-3 4-5-6 | 0,260 | |
| | 2,3 | | 30 | 20 | 20 | 10 | | | | | | | | 0,15 |
| | 1,6 | | 30 | 30 | 30 | 30 | 0,09 | | | | L120V02 | | | |
| | 2,3 | | 20 | 16 | 20 | 16 | 0,15 | | | | | | | |

► **NOTES**

- Sealings: RUBY=Synthetic corundum. FPM=Fluoro-carbon elastomer (complying with FDA standards)
- IMQ CSV approval, see ZA10 datasheet for further details
- UL approved coil (E153691)
- 1 - The use of rigid sealings (RUBY) with gaseous fluids implies a slight leakage, generally limited with in 2 scc/min at 1 bar pressure.
- 2 - Solenoid valve with stainless steel seat, suitable for overheated water and steam.
- 3 - Only for use with steam, consider following values: max pressure 8 bar (max temperature of fluid 170°).
- 4 - Gasket between core tube and body in FPM.
- 5 - On request special coil ZA10X, class "F", with UL homologated windings – see overleaf.
- 6 - Model available on request only: ask for minimum quantity.

L120

► COIL FOR SPECIAL VOLTAGES ZA10X

Approval UL (class F) see voltages
 Continuous duty ED 100%
 Encapsulation material PPS (Polyphenylsulfure) fiberglass reinforced
 Insulation class F (155°C)
 Ambient temperature -10°C +50°C

Electric connection DIN 46340- 3 poles plug-connectors (EN175301-803)
 Protection degree IP 67 (EN 60529) with plug-connector
 Voltages AC 24V/50-60Hz (UL) ▪ 100V/50-60Hz ▪ 115-120V/60Hz ▪
 200V/50-60Hz ▪ 220-230V/50Hz - 208-240V/60Hz (UL) ▪
 220-240V/50Hz (UL) ▪ (+10% -15%)

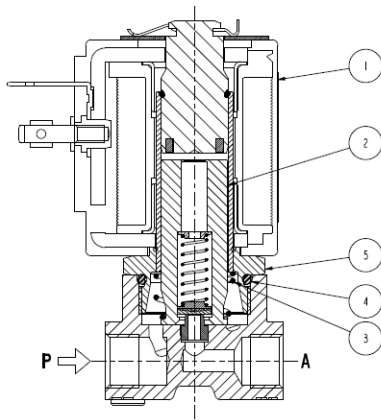
| Port size ISO 228 | Orifice size (mm) | Differential pressure (bar) | | | | Kv (m ³ /h) | Series and type | | Power absorption | | | Sealings | Notes | Weight (kg) | |
|----------------------|-------------------------|-----------------------------|--------|----|---------|---------------------------|-----------------|-------|------------------|---------|-----------|----------|--------------------|----------------|------|
| | | Δp min | Δp max | | | | Valve | Coil | AC (VA) | | DC (W) | | | | |
| | | | Gases | | Liquids | | | | Inrush | Holding | | | | | |
| | | | AC | DC | AC | | | | | | | | | | DC |
| G 1/8 | 1,6 | 0 | 30 | - | 30 | 0,15 | L120C01 | ZA10X | 23 | 14 | - | RUBY | 1 - 2 - 3 4 - 5 | 0,270 | |
| | 2,3 | | 20 | | 20 | | | | | | | | | | |
| | 1,6 | | 30 | | 30 | | | | | | | | | | |
| | 2,3 | | 16 | | 16 | | L120V02 | | | | | | | | 0,09 |

► NOTES

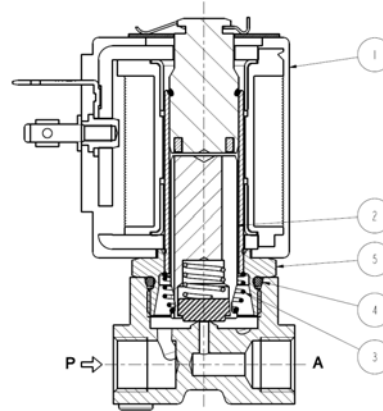
- Sealings: RUBY=Synthetic corundum. FPM=Fluoro-carbon elastomer (complying with FDA standards)
- 1 - The use of rigid sealings (RUBY) with gaseous fluids implies a slight leakage, generally limited with in 2 scc/min at 1 bar pressure.
- 2 - Solenoid valve with stainless steel seat, suitable for overheated water and steam.
- 3 - Only for use with steam, consider following values: max pressure 8 bar (max temperature of fluid 170°).
- 4 - Gasket between core tube and body in FPM
- 5 - Model available on request only: ask for minimum quantity.

► SPARE PARTS

L120 C01



L120 V02



Kit description

Core kit
 Core return spring kit
 OR guide assembly kit

L120C01
 L120V02
 L120C01
 L120V02
 L120C01 – V02

Kit P.N.

G3008801
 G3022803
 G3018901
 G3022401
 GU2424000017

Consisting of:

Core (with core return spring) pos. 2
 OR guide assembly pos.4
 N.10 core return spring pos.3
 N.10 OR guide assembly pos.4

Guide assembly kit

G31486

Guide assembly pos.5
 Coil clip

Coil

ZA10A
 ZA10X

Coil pos.1

► INSTALLATION

- Solenoid valve can be mounted in any position; vertical with coil upwards preferred.