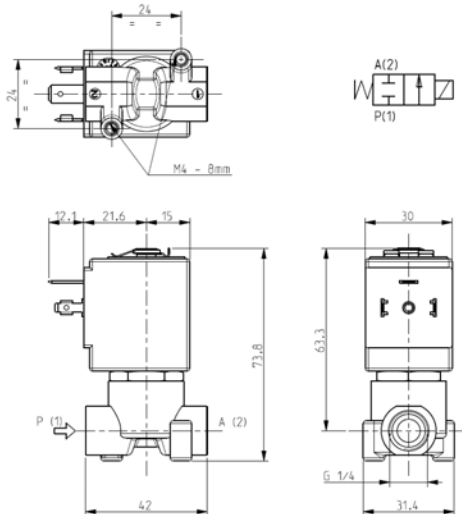




**SOLENOID VALVE**  
**2/2 - NC (Normally closed)**  
 Direct acting  
**G 1/4**

**L121C01-D04**



► **GENERAL FEATURES**

Direct acting solenoid valve.  
 Suitable to shut off liquid and gaseous fluids; particularly suitable to shut off overheated water and steam (verify the compatibility of fluid with materials in contact).

► **TECHNICAL FEATURES**

Maximum allowable pressure (PS) 40 bar  
 Opening time ~20ms  
 Closing time ~20ms  
 Fluid temperature  
 -10°C +170°C (Ruby)  
 -10°C +140°C (EPDM)  
 Max viscosity 5°E (~37 cStokes or mm<sup>2</sup>/s)

► **MATERIALS IN CONTACT WITH FLUID**

Body Brass  
 Sealing RUBY or EPDM  
 Internal components Stainless steel  
 Seat Stainless steel  
 Guide assembly Stainless steel  
 Shading ring Copper

► **COIL**

Approval UL (class F) – for UL cl.H: ZA34  
 Continuous duty ED 100%  
 Encapsulation material PPS (Polyphenilsulfure) glass fibre reinforced  
 Coil insulation class F (155°C) on request class H (180°C)  
 Ambient temperature -10°C +50°C  
 Electric connections DIN 46340 - 3 poles connectors (EN175301-803)  
 Protection degree IP 67 (EN 60529) with plug connector  
 Voltages DC 12-24V (+10% -5%)  
 AC ZA10A: 24V/50Hz - 110V/50Hz (120V/60Hz) - 230V/50Hz (+10% -15%)  
 (Other voltages and frequencies on request)

Port size ISO 228	Orifice size (mm)	Differential pressure (bar)				Kv (m <sup>3</sup> /h)	Series and type		Power absorption			Sealings	Notes	Weight (kg)	
		Δp min	Δp max				Valve	Coil	AC (VA)		DC (W)				
			AC	DC	AC				DC	Inrush					Holding
G 1/4	2,3	0	20	10	20	10	L121C01	ZA10A	23	14	9	RUBY	1-2-3-5-6	0,290	
	3,2		17	5	17	5		0,15	0,28	0,40	0,30		0,45		1-2-3-5
			-	7	-	7									1-2-3
	4,5		8	3	8	2,5									1-2-3-5
			-	4	-	4									1-2-3
	3,2		12	4	12	4	L121D04	ZA10A	23	14	9	EPDM	4-5		
			-	7	-	7									4
	4,8		4,5	1	4,5	1									
			-	2	-	2									

► **NOTES**

- Sealings : RUBY=Synthetic corundum EPDM = Ethylene-propylene elastomer
- IMQ CSV approval, see ZA10 datasheet for further details
- UL approved coil (E153691)
- 1 - The use of rigid sealings (RUBY) with gaseous fluids implies a slight leakage, generally limited at 2 scc/min at 1 bar pressure.
- 2 - Gasket between core armature and body in FPM (Fluoro-carbon elastomer).
- 3 - Only for use with steam, consider following values: PSmax 8 bar (max temperature of fluid 170°).
- 4 - Only for use with steam, consider following values: PSmax 4 bar (max temperature of fluid 140°).
- 5 - On request special coil ZA10X, class "F", with UL homologated windings - see overleaf.
- 6 - Model available on request only: ask for minimum quantity.

# L121C01-D04

## ► COIL FOR SPECIAL VOLTAGES ZA10X

Approval UL (class F); see voltages  
 Continuous duty ED 100%  
 Encapsulation material PPS (Polyphenylsulfure) fiberglass reinforced  
 Coil insulation class F (155°C)  
 Ambient temperature -10°C +50°C

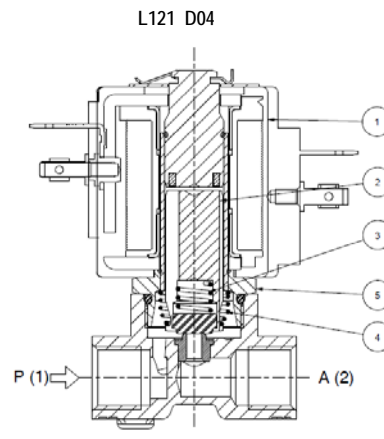
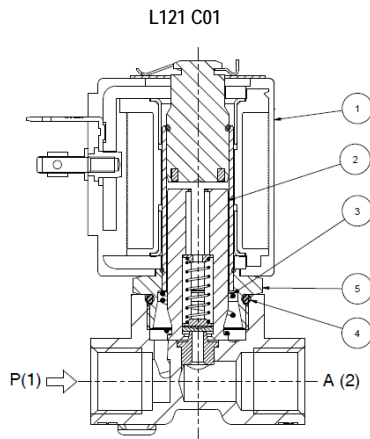
Ambient temperature DIN 46340 - 3 poles connectors (EN175301-803)  
 Electric connections IP 67 (EN 60529) with plug connector  
 Voltages AC 24V/50-60Hz (UL) ▪ 100V/50-60Hz ▪ 115-120V/60Hz ▪  
 200V/50-60Hz ▪ 220-230V/50Hz - 208-240V/60Hz (UL) ▪  
 220-240V/50Hz (UL) ▪ (+10% -15%)

Port size ISO 228	Orifice size (mm)	Differential pressure (bar)				Kv (m <sup>3</sup> /h)	Series and type		Power absorption			Sealings	Notes	Weight (kg)
		Δp min	Δp max		Valve		Inrush	Holding	DC (W)					
			Gases	Liquids										
		AC	DC	AC	DC									
G 1/4	2,3	0	20	-	20	-	L121C01	23	14	-	RUBY	1-2-3-5	0,300	
	3,2		12,5	-	12,5	-						1-2-3		
	4,5		5	-	5	-	L121D04					4		
	3,2		9	-	9	-						-		
	4,8		3	-	3	-						-		

## ► NOTES

- Sealings : RUBY=Synthetic corundum EPDM = Ethylene-propylene elastomer
- 1 - The use of rigid sealings (RUBY) with gaseous fluids implies a slight leakage, generally limited at 2 scc/min at 1 bar pressure.
- 2 - Gasket between core armature and body in FPM (Fluoro-carbon elastomer).
- 3 - Only for use with steam, consider following values: PSmax 8 bar (max temperature of fluid 170°).
- 4 - Only for use with steam, consider following values: PSmax 4 bar (max temperature of fluid 140°).
- 5 - Model available on request only: ask for minimum quantity.

## ► SPARE PARTS



## Kit description

Core kit

L121C01	Ø 2,3
	Ø 3,2
L121D04	Ø 3,2
	Ø 4,8

## Kit P.N.

G3008801
G3008802
G3022807
G3022808

## Consisting of:

Core (with core return spring) pos. 2  
 OR guide assembly pos. 4

Core return spring kit

L121C01	Ø 2,3
	Ø 3,2
	Ø 4,5
L121D04	Ø 3,2
	Ø 4,8

G3018901
G3022401
G3022401
G3018901

N.10 core return spring pos. 3

OR guide assembly kit

L121C01
L121D04

GU2424000017
GU2446000017

N.10 OR guide assembly pos. 4

Guide pipe assembly kit

G31486

Guide pipe assembly pos. 5  
 Coil clip

Coil

ZA10A  
 ZA10G  
 ZA10X

Coil pos. 1

## ► MOUNTING

Solenoid valve can be mounted in any position; vertical with coil upwards preferred.