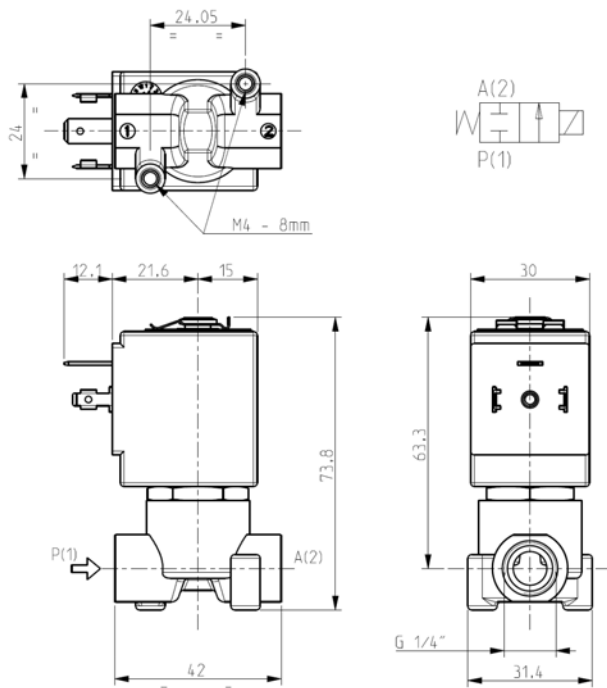




SOLENOID VALVE
2/2 - NC (Normally closed)
Direct acting
G 1/4

L121V05



► **GENERAL FEATURES**

Direct acting solenoid valve, complying with NSF standards.
 Suitable to shut off liquid and gaseous fluids (verify the compatibility of fluid with materials in contact).

► **TECHNICAL FEATURES**

Maximum allowable pressure (PS) 40 bar
 Opening time ~20ms
 Closing time ~20ms
 Fluid temperature 0°C +130°C
 Max viscosity 5°E (~37 cStokes or mm²/s)

► **MATERIALS IN CONTACT WITH FLUID**

Body Chemically nickel plated brass (Ni-P)
 Sealing FPM
 Internal components Stainless steel
 Seat Chemically nickel plated brass (Ni-P)
 Guide assembly Stainless steel
 Shading ring Copper

► **COIL**

Approval UL (class F) – for UL cl. H: ZA34
 ED 100%
 Encapsulation material PPS (Polyphenilsulfure) glass fibre reinforced
 Coil insulation class F (155°C) on request class H (180°C)
 Ambient temperature -10°C +50°C
 Electric connections DIN 46340 - 3 poles connectors (EN175301-803)
 Protection degree IP 67 (EN 60529) with plug connector
 Voltages DC 12-24V (+10% -5%)
 AC ZA10A: 24V/50Hz - 110V/50Hz (120V/60Hz) - 230V/50Hz (+10% -15%)
 (Other voltages and frequencies on request)

Port size ISO 228	Orifice size (mm)	Differential pressure (bar)				Kv (m ³ /h)	Series and type		Power absorption			Sealings	Notes	Weight (kg)	
		Δp min	Δp max				Valve	Coil	AC (VA)		DC (W)				
			Gases		Liquids				Inrush	Holding					
			AC	DC	AC										DC
G 1/4	3,2	0	12	4	12	4	L121V05	ZA10A	23	14	9	FPM	1	0,290	
			-	7	-	7		ZA10G	-	-	12		-		

► **NOTES**

- Sealings : FPM = Fluoro-carbon elastomer
- IMQ CSV approval, see ZA10 datasheet for further details
- UL approved coil (E153691)
- 1 - On request special coil ZA10X, class "F", with UL homologated windings – see overleaf.



L121V05

► COIL FOR SPECIAL VOLTAGES ZA10X

Approval UL (class F); see voltages

Continuous duty ED 100%

Encapsulation material PPS (Polyphenylsulfure) fiberglass reinforced

Coil insulation class F (155°C)

Ambient temperature -10°C +50°C

Ambient temperature DIN 46340 - 3 poles connectors (EN175301-803)

Electric connections IP 67 (EN 60529) with plug connector

Voltages AC 24V/50-60Hz (UL) ▪ 100V/50-60Hz ▪ 115-120V/60Hz ▪

200V/50-60Hz ▪ 220-230V/50Hz - 208-240V/60Hz (UL) ▪

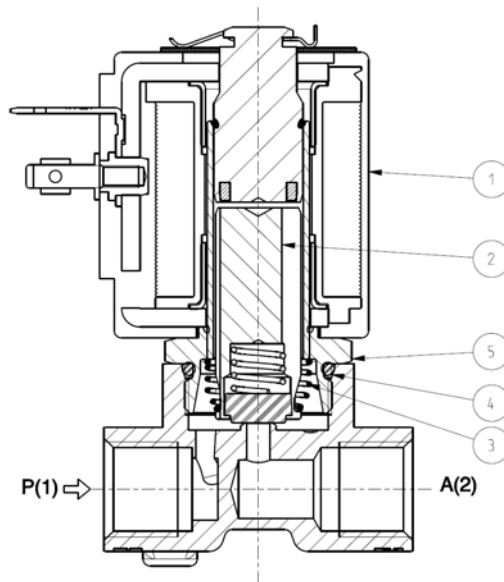
220-240V/50Hz (UL) ▪ (+10% -15%)

Port size ISO 228	Orifice size (mm)	Differential pressure (bar)				Kv (m³/h)	Series and type		Power absorption			Sealings	Notes	Weight (kg)	
		Δp min	Δp max				Valve	Coil	AC (VA)		DC (W)				
			Gases		Liquids				Inrush	Holding					
			AC	DC	AC										DC
G 1/4	3,2	0	9	-	9	-	0,30	L121V05	ZA10X	23	14	-	FPM	-	0,300

► NOTES

- Sealings : FPM = Fluoro-carbon elastomer

► SPARE PARTS



Kit description

Core kit

Core return spring kit

OR guide assembly kit

Guide pipe assembly kit

Coil

Kit P.N.

G3022803

G3022401

GU2424000017

G31486

ZA10A
ZA10G
ZA10X

Consisting of:

Core (with core return spring) pos. 2
OR guide assembly pos. 4

N.10 core return spring pos. 3

N.10 OR guide assembly pos. 4

Guide pipe assembly pos. 5
Coil clip

Coil pos.1

► MOUNTING

Solenoid valve can be mounted in any position; vertical with coil upwards preferred.

THE VALIDITY OF REPORTED DATA IS REFERRED TO THE DATE OF ISSUE. POSSIBLE UPDATES ARE AVAILABLE ON REQUEST.