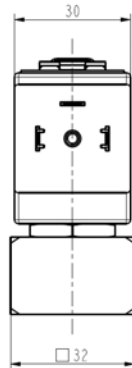
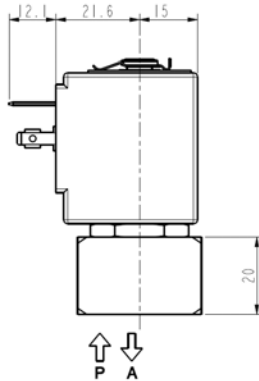
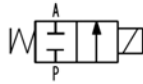
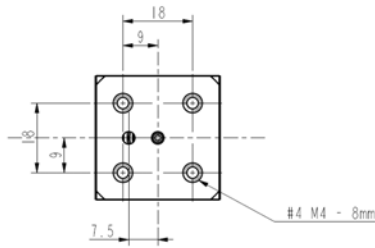




SOLENOID VALVE
2/2 - NC (Normally closed)
Direct acting
Sub-base mounting

L122



► **GENERAL FEATURES**

Direct acting solenoid valve, designed for sub-base mounting or directly on the equipment.
 Inlet and outlet ports placed asymmetrically at the bottom of the body.
 Suitable to shut off liquid and gaseous fluids; (verify the compatibility of fluid with materials in contact).

► **TECHNICAL FEATURES**

Maximum allowable pressure (PS) 40 bar
Opening time ~ 30ms
Closing time ~ 30ms
Fluid temperature 0°C +130°C (FPM)
 -10°C +170°C (stainless steel)
Max viscosity 5°E (37 cStokes or mm²/s)

► **MATERIALS IN CONTACT WITH FLUID**

Body Brass
Sealing FPM or stainless steel
Internal components Stainless steel
Seat Brass or stainless steel
Guide assembly Stainless steel
Shading ring Copper

► **COIL**

Approval UL (class F) – for UL cl.H: ZA34
Continuous duty ED 100%
Encapsulation material PPS (Polyphenilsulfure) glass fibre reinforced
Coil insulation class F (155°C) on request class H (180°C)
Ambient temperature -10°C +50°C
Electric connections DIN 46340 - 3 poles connectors (EN175301-803)
Protection degree IP 67 (EN 60529) with plug connector
Voltages DC 12-24V (+10% -5%)
 AC 24V/50Hz - 110V/50Hz (120V/60Hz) - 230V/50Hz (+10% -15%)
 (Other voltages and frequencies on request)

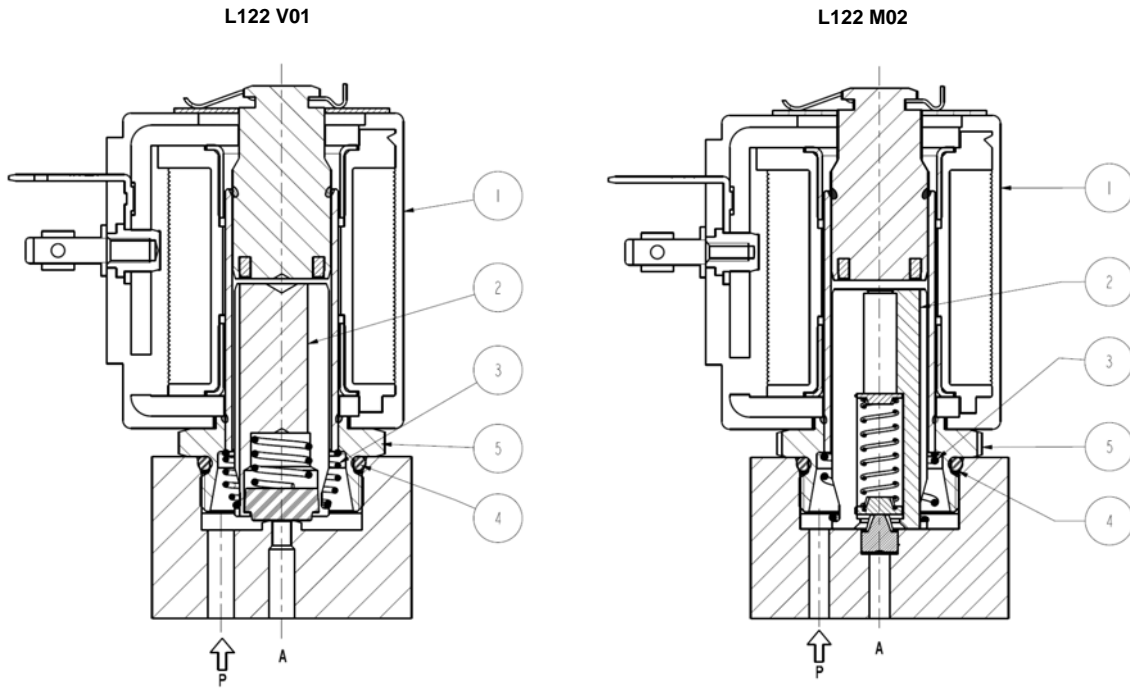
Port size	Orifice size (mm)	Differential pressure (bar)						Kv (m ³ /h)	Series and type		Power absorption			Sealings	Notes	Weight (kg)
		Δp min	Δp max				Valve		Coil	AC (VA)		DC (W)				
			Gases		Liquids					Inrush	Holding					
			AC	DC	AC	DC										
-	1,6	0	-	-	30	-	0,1	L122M02	ZA10A	23	14	9	Stainless steel	1	0,320	
	2,3		20	16	20	16	0,15	L122V01								FPM

► **NOTES**

- Sealings : FPM = Fluoro-carbon elastomer
- IMQ CSV approval, see ZA10 datasheet for further details
- UL approved coil (E153691)
- 1 – Model with stainless steel seat.

L122

► SPARE PARTS



Kit description

Core kit	L122V01 L122M02
Core return spring kit	L122V01 L122M02
OR guide assembly kit	
Coil	

Kit P.N.

G3022803 G3068401
G3022401 G3018901
GU2424000017
ZA10A

Consisting of:

Core pos. 2
N°. 10 core return spring pos. 3
N.10 OR guide assembly pos. 4
Coil pos. 1

► MOUNTING

Solenoid valve can be mounted in any position; vertical with coil upwards preferred.

THE VALIDITY OF REPORTED DATA IS REFERRED TO THE DATE OF ISSUE. POSSIBLE UPDATES ARE AVAILABLE ON REQUEST.