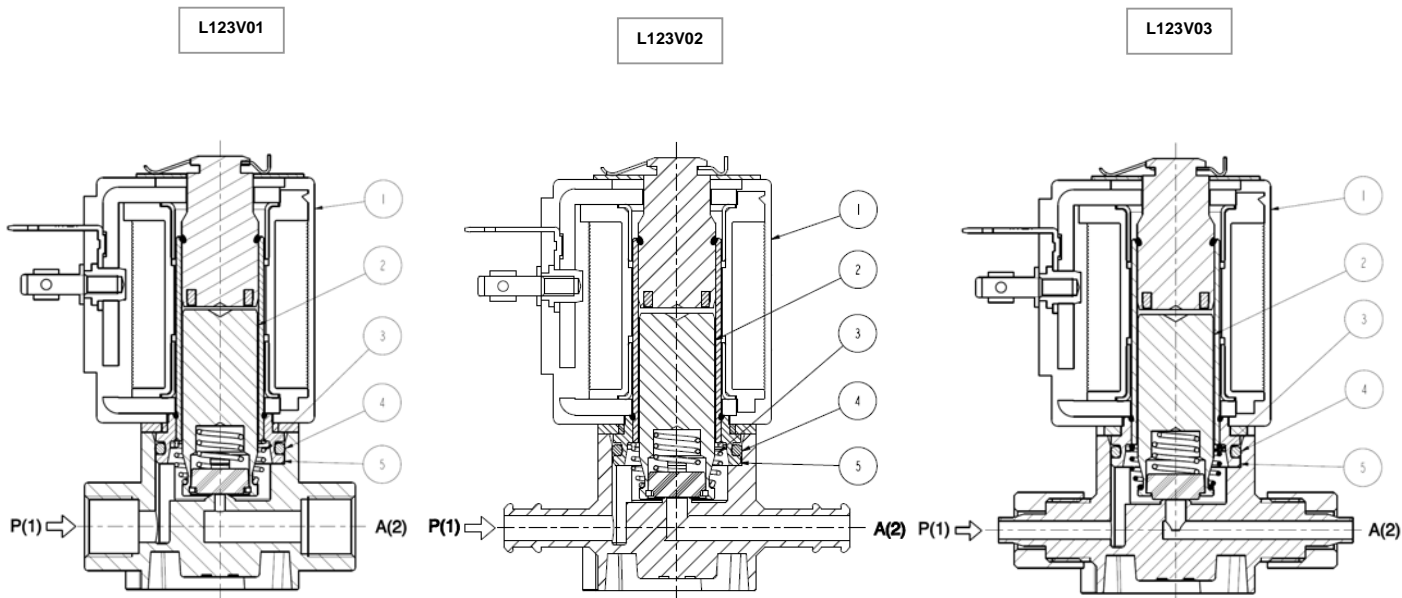


► SPARE PARTS



Kit description

Core kit

Core return spring kit

O-Ring guide assembly kit

Guide assembly kit

Coil

Kit P.N.

G3139401

G3022401

GU242800017

G31487

ZA10A

Consisting of:

Core pos. 2

N.10 core return spring pos. 3

N.10 O-Ring guide assembly pos. 4

Guide assembly pos. 5
Coil clip

Coil pos.1

► MOUNTING

- Solenoid valve can be mounted in any position; vertical with coil upwards preferred.
- When using any sealant for fittings, please check its chemical compatibility with body material (PPS).
- In case of disassembling for usual maintenance, the fixing screws of the guide assembly have to be tightened with $0,6 \pm 0,7$ Nm torque.