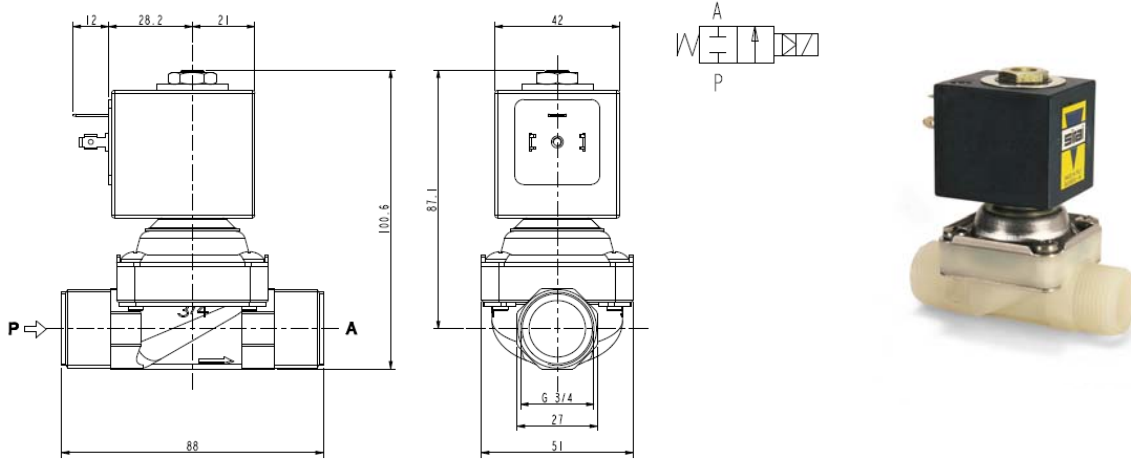




**SOLENOID VALVE**  
**2/2 - NC (Normally closed)**  
**Pilot operated**  
**G3/4**

**L131**



► **GENERAL FEATURES**

Diaphragm valve, pilot operated, having full orifice.  
 The fluid is not in contact with components either in copper or its alloys.  
 Suitable to shut off liquid and gaseous fluids (verify the compatibility of fluid with materials in contact).

► **TECHNICAL FEATURES**

Maximum allowable pressure (PS) 10 bar  
 Opening time ~30ms  
 Closing time ~50ms  
 Fluid temperature -10°C +80°C  
 Max viscosity 5°E (~37 cStokes or mm<sup>2</sup>/s)

► **MATERIALS IN CONTACT WITH FLUID**

Body PP (polypropylene) fibreglass reinforced.  
 Sealing FPM  
 Internal components Stainless steel and PP fibreglass reinforced  
 Seat PP fibreglass reinforced  
 Core tube Stainless steel  
 Shading coil Silver plated copper (only L131V08)

► **COIL**

Continuous duty ED 100%  
 Encapsulation material PET (polyethylene terephthalate) fibreglass reinforced  
 Insulation class F (140°C) on request class H (165°C) - UL  
 Ambient temperature -10°C +60°C  
 Electric connections DIN 46340 - 3 poles plug connector (EN175301-803)  
 Protection degree IP 65 (EN 60529) with plug connector  
 Voltages AC 24V/50Hz-110V/50Hz(120V/60Hz) - 230V/50Hz (+10% -15%)  
 DC 12-24V (+10% -15%)  
 (Other voltages and frequencies on request)

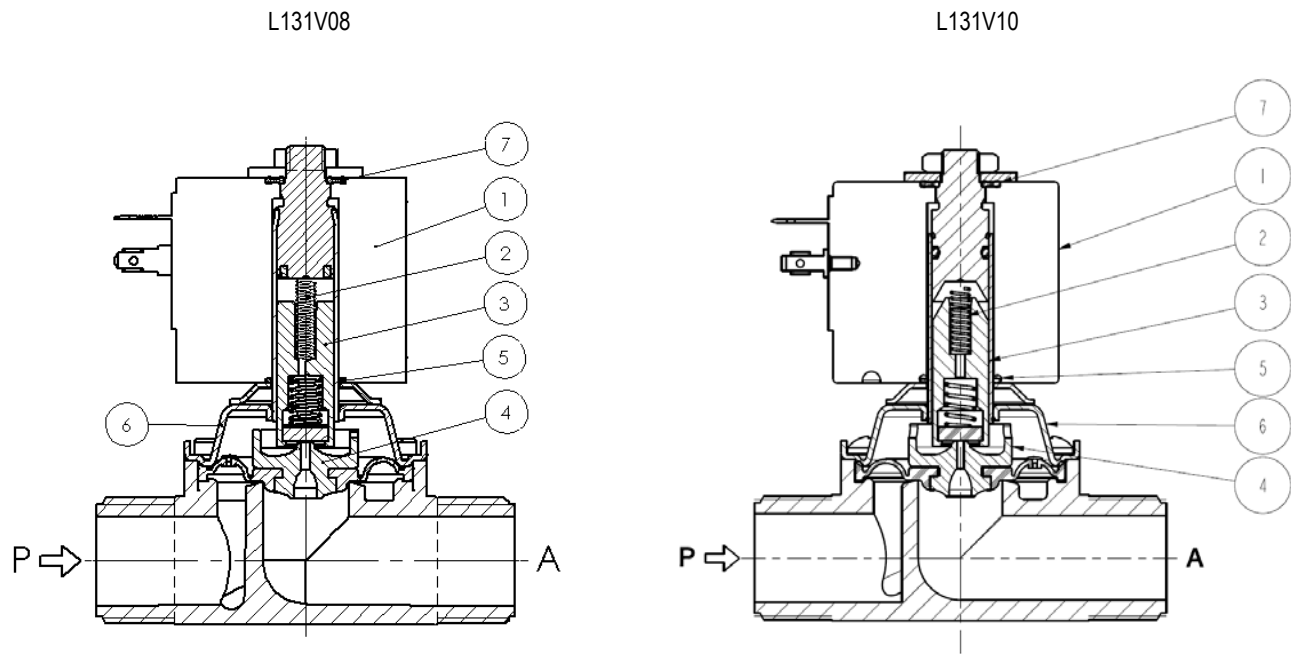
Port size ISO 228	Orifice size (mm)	Differential pressure (bar)				Kv (m <sup>3</sup> /h)	Series and type		Power absorption			Sealings	Notes	Weight (kg)	
		Δp min	Δp max				Valve	Coil	AC (VA)		DC (W)				
			Gas		Liquids				Inrush	Holding					
			AC	DC	AC										DC
G 3/4	18	0,2	6	-	6	-	4,8	L131V08	Z130A	44	24	-	FPM	-	0,470
			-	6	-	6	3,5	L131V10	Z130N	-	-	18			

► **NOTE**

- Sealings : FPM = Fluoro-carbon elastomer  
 - Continuous changes of pressure may reduce the life of the diaphragm.  
 1 - Model available on request; minimum order quantity 50 pcs.

# L131

## ► SPARE PARTS



Kit description	Kit P.N.	Consisting of:
Core kit	L131V08 G3083801 L131V10 G3150401	Core return spring pos. 2 Core pos. 3
Core spring kit	L131V08 G2002301 L131V10 G2918601	N.10 core return spring pos. 2
Diaphragm assembly kit	L131V08 G3141701 L131V10 G3150601	Diaphragm assembly pos.4
Kit OR for coil	GU2421000015	N.10 OR for coil pos.5
Kit gasket for coil	G3067301	N.10 gaskets pos.7
Guide assembly	L131V08 298544-002R L131V10 298544-004R	Guide assembly pos. 6
Coil	L131V08 Z130A L131V10 Z130N	Coil pos. 1

## ► INSTALLATION

- Solenoid valve can be mounted in any position; vertical with coil upwards preferred.
- In case of disassembling for usual maintenance, the coil fixing nut has to be tightened with 5÷7 Nm torque.

THE VALIDITY OF REPORTED DATA IS REFERRED TO THE DATE OF ISSUE. POSSIBLE UPDATES ARE AVAILABLE ON REQUEST.