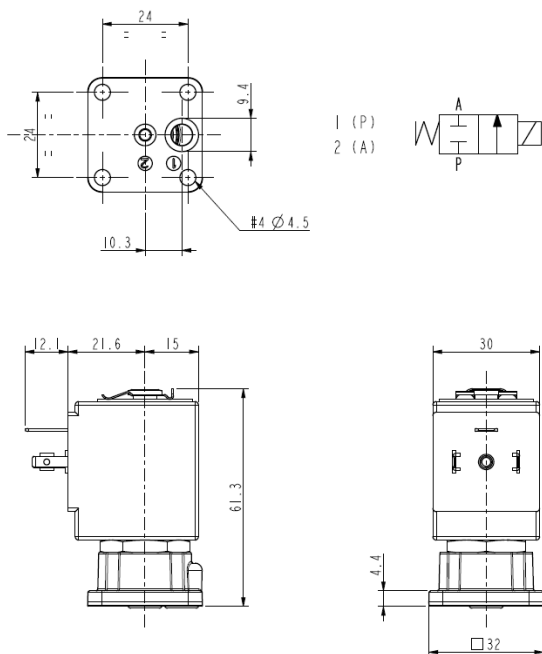




**SOLENOID VALVE**  
**2/2 - NC (Normally closed)**  
 Direct acting  
 Sub-base mounting

**L134N05**



► **GENERAL FEATURES**

Direct acting solenoid valve, designed for sub-base mounting or directly on the equipment.  
 Inlet and outlet ports placed asymmetrically at the bottom of the body.  
 Valve delivered with sealing O-rings.  
 Suitable to shut off liquid and gaseous fluids, particularly suitable to shut off refrigerating fluids (verify the compatibility of fluid with materials in contact).

► **TECHNICAL FEATURES**

Maximum allowable pressure (PS) 40 bar  
 Opening time ~20ms  
 Closing time ~20ms  
 Fluid temperature -10°C +90°C  
 Max viscosity 5°E (~37 cStokes or mm<sup>2</sup>/s)

► **MATERIALS IN CONTACT WITH FLUID**

Body Brass  
 Sealing CR70N  
 Internal components Stainless steel  
 Seat Brass  
 Core tube Stainless steel  
 Shading coil Copper

► **COIL**

Approval UL (class F) – for UL cl.H: ZA34  
 Continuous duty ED 100%  
 Encapsulation material PPS (Polyphenylsulfure) fiberglass reinforced  
 Insulation class F (155°C) on request class H (180°C)  
 Ambient temperature -10°C +50°C  
 Electric connections DIN 46340 - 3 poles plug connector (EN175301-803)  
 Protection degree IP 67 (EN 60529) with plug connector  
 Voltages DC 12-24V (+10% -5%)  
 AC 24V/50Hz-110V/50Hz (120V/60Hz)-230V/50Hz (+10% -15%)  
 (Other voltages and frequencies on request)

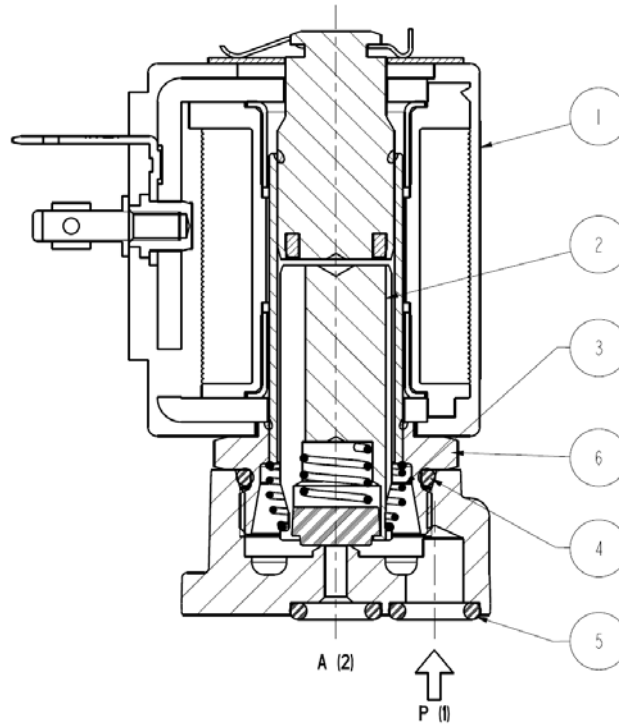
Port size	Orifice size (mm)	Differential pressure (bar)						Kv (m <sup>3</sup> /h)	Series and type		Power absorption			Sealings	Notes	Weight (kg)
		Δp min	Δp max				Valve		Coil	AC (VA)		DC (W)				
			Gases		Liquids					Inrush	Holding					
			AC	DC	AC	DC										
-	3	0	20	15	20	15	0,18	L134N05	ZA10A	23	14	9	CR70N	-	0,240	

► **NOTES**

- Sealings : CR70N = Chloroprene elastomer
- IMQ CSV approval, see ZA10 datasheet for further details
- UL approved coil (E153691)

# L134N05

## ► SPARE PARTS



Kit description	Kit P.N.	Consisting of:
Core kit	G3022805	Core pos. 2
Core return spring kit	G3022401	N. 10 core return spring pos. 3
OR guide assembly kit	GU2445000017	N.10 OR guide assembly pos. 4
OR body kit	GU2445000007	N.10 OR body pos.5
Guide assembly kit	G31486	Guide assembly pos.6 Coil clip
Coil	ZA10A	Coil pos. 1

## ► MOUNTING

Solenoid valve can be mounted in any position; vertical with coil upwards preferred.

THE VALIDITY OF REPORTED DATA IS REFERRED TO THE DATE OF ISSUE. POSSIBLE UPDATES ARE AVAILABLE ON REQUEST.