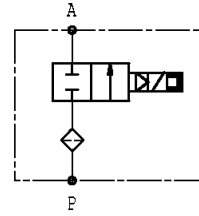
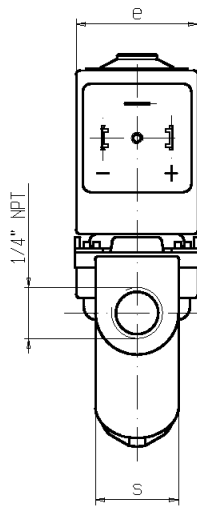
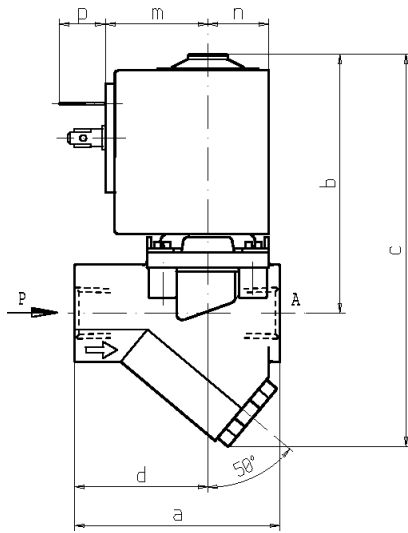




**SOLENOID VALVE**  
**2/2 - NC (Normally closed)**  
**Pilot operated**  
**1/4 NPT**

**L142-NPT**  
**LATCHING MODEL**



	a	b	c	d	e	m	n	p	s
in	2.12	2.68	4.05	1.38	1.26	0.63	1.06	0.47	0.87
mm	54	68	103	35	32	27	16	12	22

**► GENERAL FEATURES**

Pilot operated solenoid valve with full orifice.  
 Built-in strainer fitted on the inlet flow path.  
 Suitable to shut off liquid and gaseous fluids (verify the compatibility of fluid with materials in contact).  
 Not suitable for use with dangerous fluids listed in Group 1, therefore they are free from CE marking in conformity with article 3 § 3 of the European Directive 97/23/EC (Pressure Equipment Directive).

**► TECHNICAL FEATURES**

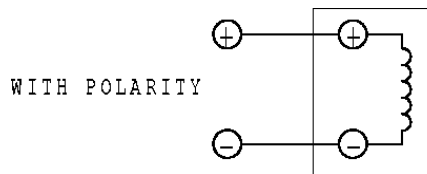
*Maximum allowable pressure (PS)* 232 psi  
*Opening time* ~30ms  
*Closing time* ~50ms  
*Fluid temperature* +14°F +194°F (NBR)  
*Max viscosity* ~3.98 x 10<sup>-4</sup>ft<sup>2</sup>/sec (~37 cStokes or mm<sup>2</sup>/s, 5°E)

**► MATERIALS IN CONTACT WITH FLUID**

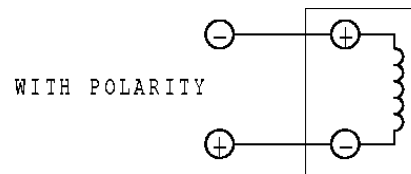
*Body* Brass  
*Sealing* NBR  
*Internal components* Stainless steel and POM (acetal copolymer)  
*Seat* Brass  
*Core tube* Stainless steel

**► COIL**

*Duty* Latching model, polarized type, operating by impulses.  
*Minimum energizing time* 50ms  
*Coil impregnation* Polyester resin  
*Encapsulation material* PP-V0 (self-extinguishing polypropylene).  
*Coil insulation class* A (194°F)  
*Ambient temperature* +14°F +140°F  
*Electric connections* DIN 46340 - 3 poles plug connectors (EN175301-803)  
*Protection degree* IP 65 (EN 60529) with plug connector  
*Voltages* DC 6-12V (+10% -5%)  
 (Other voltages on request).



OPEN VALVE



CLOSED VALVE

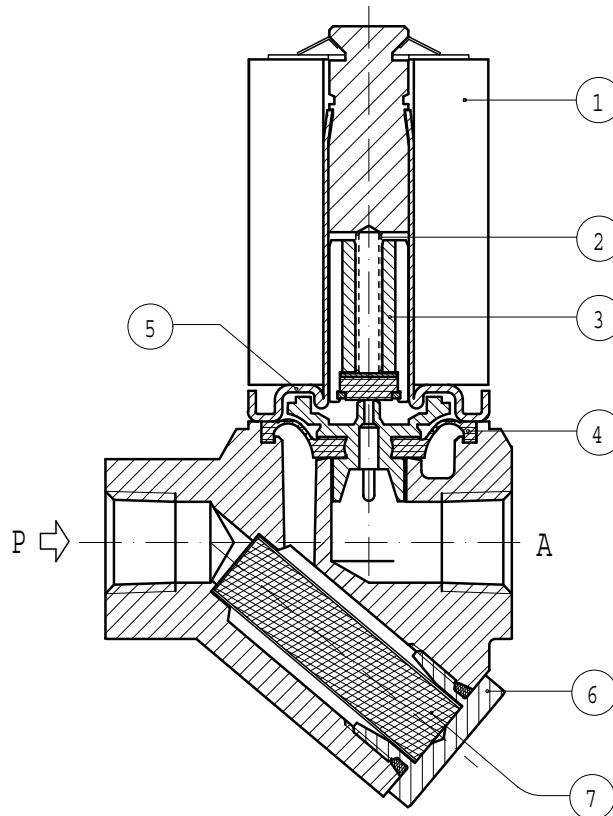
Pipe size (ins)	Orifice size (ins)	Differential pressure (PSI)				Cv (GPM)	Series and type		Power absorption			Sealings	Notes	Weight (lbs)	
		Δp min	Δp max				Valve	Coil	AC (VA)		DC (W)				
			Gases		Liquids				Inrush	Holding					
			AC	DC	AC										DC
1/4 NPT	25/64	5	-	130	-	130	0.58	L142B01	Z570C	-	-	3	NBR	-	0.22

**► NOTES**

- Sealings : NBR = Nitrile-butylene elastomer

# L142-NPT

## ► SPARE PARTS



Kit description	Kit P.N.	Consisting of:
Core kit	G3042601	Core pos. 3 Core return spring pos.2
Strainer kit	G3092801	Strainer pos.7 Threaded plug pos.6
Core return spring kit	G2781701	N.10 core return spring pos. 3
Diaphragm assembly	2706503	Diaphragm assembly pos.4
Guide assembly	2604403	Guide assembly pos. 5
Coil	Z570C	Coil pos. 1

## ► INSTALLATION

- Solenoid valve can be mounted in any position; vertical with coil upwards preferred.
- In case of strainer replacement, the threaded plug has to be tightened at  $10 \div 15$  Nm torque.

THE VALIDITY OF REPORTED DATA IS REFERRED TO THE DATE OF ISSUE. POSSIBLE UPDATES ARE AVAILABLE ON REQUEST.