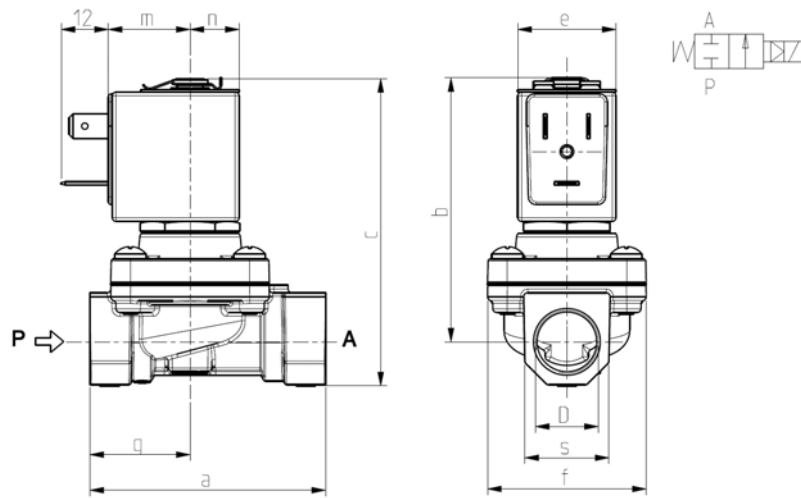




SOLENOID VALVE
2/2 - NC (Normally closed)
Pilot operated
G3/8 ÷ 1

L145



D	a	b	c	e	f	m	n	s	q
G 3/8	60	69	80	25	40	21	12,5	22	25,5
G 1/2	66	72	85	25	40	21	12,5	27	33
G 3/4	79	78	94,5	32	50	27	16	33	39,5
G 1	105	102	123	32	71	27	16	42	46

► **GENERAL FEATURES**

Diaphragm valve, pilot operated, having full orifice.
 Suitable to shut off liquid and gaseous fluids; particularly suitable to shut off overheated water and steam (verify the compatibility of fluid with materials in contact).

► **TECHNICAL FEATURES**

Maximum allowable pressure (PS) | G3/8 and G1/2: 16 bar
 G3/4 and G1: 9 bar

Opening time | ~100ms

Closing time | from ~500ms to ~1500ms

Fluid temperature | +60°C +170°C

Max viscosity | 5°E (~37 cStokes or mm²/s)

► **MATERIALS IN CONTACT WITH FLUID**

Body | Brass

Sealing | Reinforced PTFE (Polytetrafluorethylene)

Internal components | Brass and stainless steel

Seat | Stainless steel

Guide assembly | Stainless steel

Shading ring | Copper

► **COIL**

Continuous duty | ED 100%

Encapsulation material | PET (polyethylene terephthalate) fiberglass reinforced

Insulation class | Z5: H(165°C) – UL - Z6: H(180°C) - UL

Ambient temperature | -10°C +80°C

Electric connections | Z5: DIN 46340 – 3 poles connector (EN175301-803)
 Z6: DIN 46340 – 3 poles connector

Protection degree | IP 65 (EN 60529) with plug connector

Voltages AC | 24V/50Hz - 110V/50Hz (120V/60Hz)
 230V/50Hz (+10% -15%)
 (Other voltages and frequencies on request)

Port size ISO 228	Ø Int. (mm)	Differential pressure (bar)				Kv (m ³ /h)	Series and type		Power absorption			Sealings	Notes	Weight (kg)	
		Δp min	Δp max				Valve	Coil	AC (VA)		c.c. (W)				
			Gas		Liquids				Inrush	Holding					
			c.a.	c.c.	c.a.										c.c.
G 3/8	10	0,4	8	-	8	-	L145R2	Z614A	16	10	-	reinforced PTFE	1	0,360	
G 1/2														2,5	0,415
G 3/4	16		6	-	6	-	L145R4	Z534A	23	14				0,760	
G1														18,5	8,5

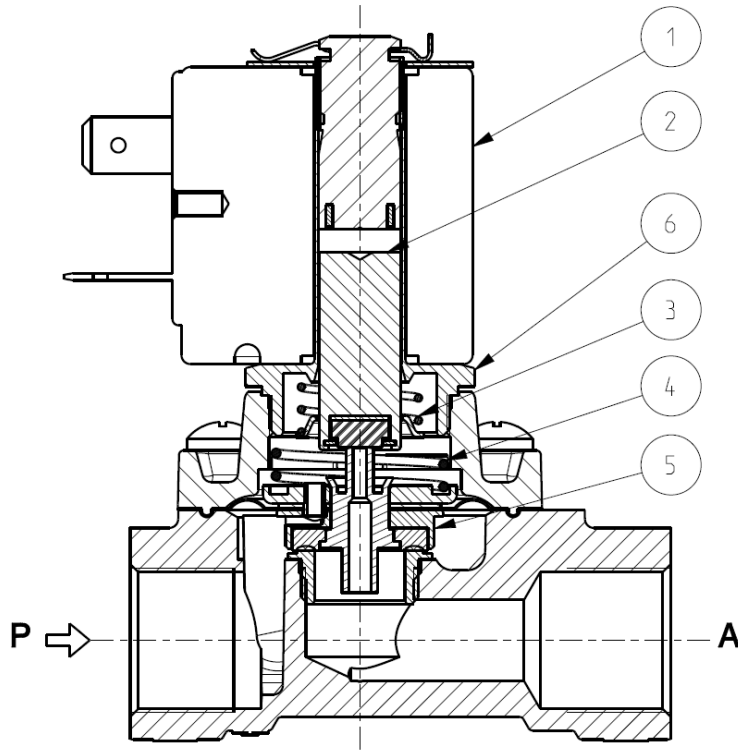
► **NOTES**

- Sealings : PTFE = Polytetrafluorethylene (reinforced)

1 - On request Z610A or Z530A coil, encapsulated in PET (Polyethylene terephthalate) class "F" (+155°C): maximum fluid temperature +100°C, maximum ambient temperature +60°C.

L145

► SPARE PARTS



Kit description		Kit P.N.	Consisting of:
Core kit	G3/8 – G1/2 G3/4 – G1	G2641702 G2665102	Core pos. 2 Core return spring pos. 3
Diaphragm assembly kit	G3/8 – G1/2 G3/4 G1	G2647501 G2653301 G2665201	Diaphragm assembly pos. 5 Spring on diaphragm pos. 4
Spring on diaphragm kit	G3/8 – G1/2 G3/4 G1	G2635301 G2641501 G2662201	N. 10 springs on diaphragm pos. 4
Core return spring kit	G3/8 – G1/2 G3/4 – G1	G2651301 G2555101	N.10 core return spring pos. 3
Guide pipe assembly kit	G3/8 – G1/2 G3/4 – G1	G3153001 G3153002	Guide pipe assembly pos. 6 Coil clip
Coil	G3/8 – G1/2 G3/4 – G1	Z614A Z534A	Coil pos. 1

► MOUNTING

Solenoid valve can be mounted in any position; vertical with coil upwards preferred.

THE VALIDITY OF REPORTED DATA IS REFERRED TO THE DATE OF ISSUE. POSSIBLE UPDATES ARE AVAILABLE ON REQUEST.