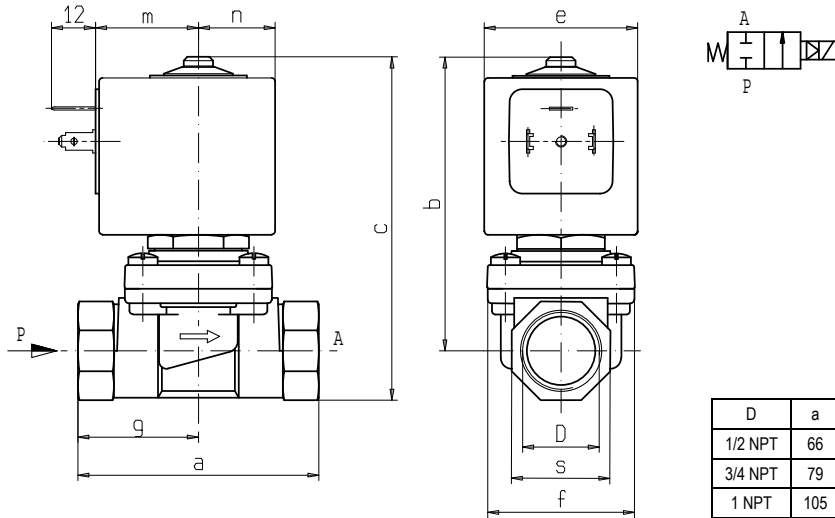




**SOLENOID VALVE**  
**2/2 - NC (Normally closed)**  
**Pilot operated hung diaphragm**  
**1/2 - 3/4 - 1 NPT**

L153-NPT



D	a	b	c	e	f	m	n	s	g
1/2 NPT	66	80,5	94	42	41	28	21	27	-
3/4 NPT	79	85,5	102,5	42	51	28	21	33	-
1 NPT	105	106	127	48,6	71	35	24,3	42	46

► **GENERAL FEATURES**

Pilot operated hung diaphragm solenoid valve, with full orifice.  
 Suitable to shut off liquid and gaseous fluids; particularly suitable to shut off overheated water and steam (verify the compatibility of fluid with materials in contact).

► **TECHNICAL FEATURES**

*Maximum allowable pressure (PS)*      16 bar  
*Opening time*                                from ~100ms to ~150ms  
*Closing time*                                 from ~100ms to ~400ms  
*Fluid temperature*                         -10°C +140°C  
*Max viscosity*                                5°E (~37 cStokes or mm<sup>2</sup>/s)

► **MATERIALS IN CONTACT WITH FLUID**

*Body*    Brass  
*Sealing*                                         EPDM  
*Diaphragm*                                    PTFE  
*Internal components*                     Stainless steel  
*Seat*    Stainless steel  
*Core tube*                                        Stainless steel  
*Shading coil*                                 Copper

► **COIL**

*Continuous duty*                            ED 100%  
*Encapsulation material*                    PET (polyethylene-terephthalate) fiberglass reinforced  
*Coil insulation*                                H (165°C) - UL  
*Ambient temperature*                     -10°C +80°C  
*Electric connections*                        DIN 46340 - 3 poles connectors (EN175301-803)  
*Protection degree*                            IP 65 (EN 60529) with plug connector  
*Voltages*                                         24V/50Hz - 110V/50Hz (120V/60Hz) - 230V/50Hz  
     (+10% -15%)  
 (Other voltages and frequencies on request).

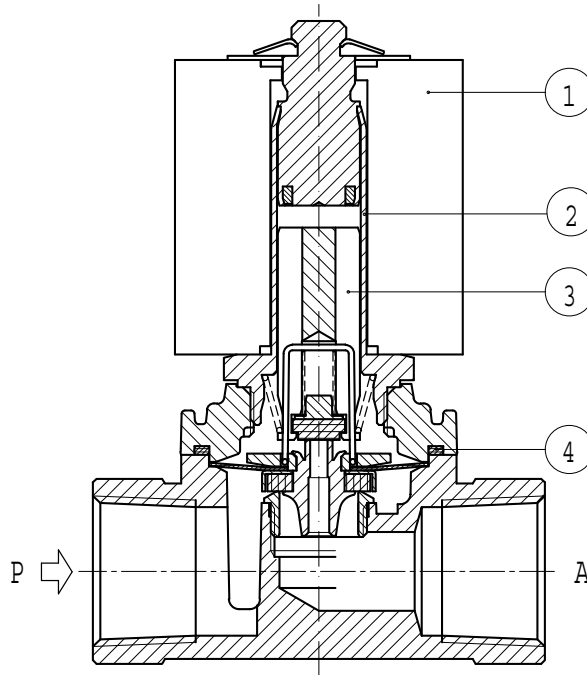
Port size (ins)	Orifice size (mm)	Differential pressure (bar)				Kv (m <sup>3</sup> /h)	Series and type		Power absorption			Sealings	Function Notes	Weight (kg)			
		Δp min	Δp max				Valve	Coil	AC (VA)		DC (W)						
			Gases		Liquids				Inrush	Holding							
			AC	DC	AC										DC		
1/2 NPT	11,5	0	8	-	6	-	2,1	L153D08	Z134A	44	24	-	EPDM	1-2-3	0,660		
3/4 NPT	17														5	8,5	0,870
1 NPT	22														8,5	1,665	

► **NOTES**

- Sealings : EPDM = Ethylene-propylene elastomer
- 1 - Only for use with steam, consider following values: max pressure 3 bar (max temperature of fluid 140°).
- 2 - The valves can operate in vacuum conditions at 0 bar absolute downstream.
- 3 - On request Z130A or Z923A coil encapsulated in PBT (Polybutylene-terephthalate) in class "F" (+140°C): maximum fluid temperature +100°C, maximum ambient temperature +60°C.

# L153-NPT

## ► SPARE PARTS



Kit description		Kit P.N.	Consisting of:
Diaphragm core kit	L153D08	G1/2	Core and sealing disc kit pos.3 OR guide assembly pos. 4
	L153D09	G3/4	
Guide assembly	L153D08	3078101R	Guide assembly pos. 2
	L153D09	2834901R	
Coil	L153D08	Z134A	Coil pos. 1
	L153D09	Z914A	

## ► INSTALLATION

Solenoid valve can be mounted in any position; vertical with coil upwards preferred.

THE VALIDITY OF REPORTED DATA IS REFERRED TO THE DATE OF ISSUE. POSSIBLE UPDATES ARE AVAILABLE ON REQUEST.