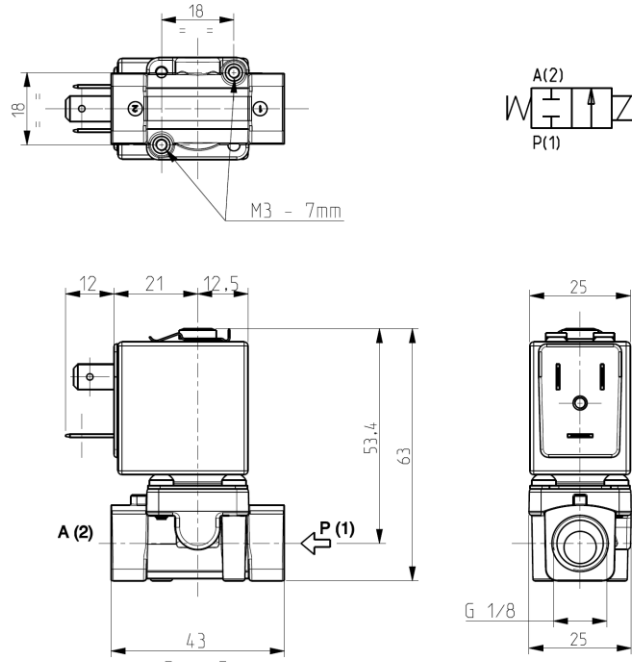




**SOLENOID VALVE**  
**2/2 - NC (Normally closed)**  
**Direct acting**  
**G 1/4**

**L171**



► **GENERAL FEATURES**

Direct acting solenoid valve.  
 Suitable to shut off liquid and gaseous fluids (verify the compatibility of fluid with material in contact)

► **TECHNICAL FEATURES**

Maximum allowable pressure (PS) 30bar  
 Opening time from ~10ms to ~20ms  
 Closing time from ~10ms to ~20ms  
 Fluid temperature 0°C +130°C (FPM)  
 -10°C +90°C (NBR)  
 Max viscosity 5°E (~37 cStokes or mm<sup>2</sup>/s)

► **MATERIALS IN CONTACT WITH FLUID**

Body Brass  
 Sealing FPM or NBR  
 Internal components Stainless steel  
 Seat Brass  
 Core tube Stainless steel  
 Shading coil Copper

► **COIL**

Continuous duty ED 100%  
 Encapsulation material PET (polyethylene terephthalate) fibreglass reinforced  
 Insulation class F(155°C) - on request class H (180°C) - UL  
 Ambient temperature -10°C +60°C  
 Electric connection DIN 46340 - 3 poles plug connectors  
 Protection degree IP 65 (EN 60529) with plug connectors  
 Voltages DC 12-24V (+10% -5%)  
 AC 24V/50-60Hz - 110V/50-60Hz (120V/60Hz)  
 230V/50-60Hz (+10% -15%)  
 (Other voltages and frequencies on request)

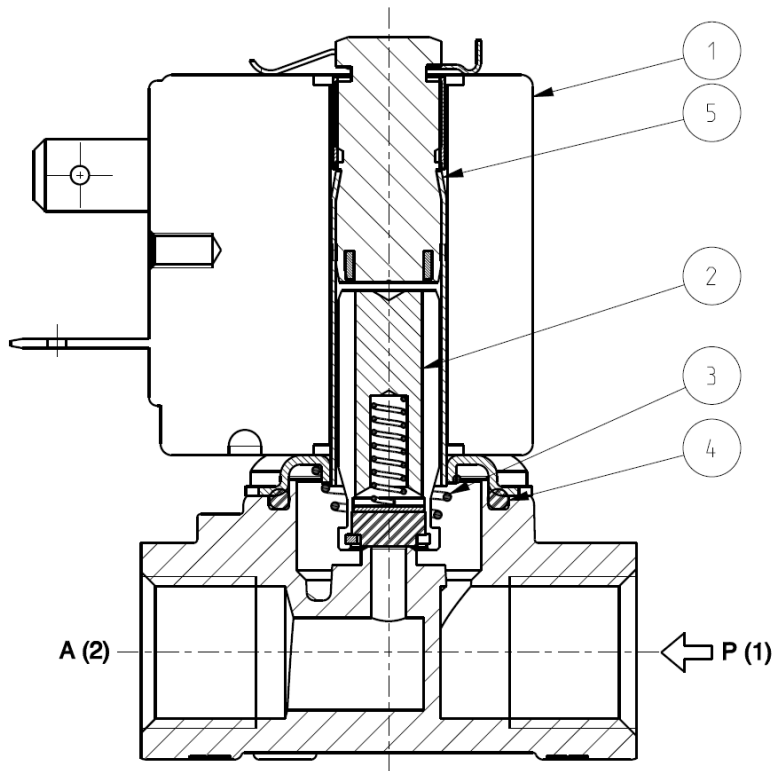
Port size ISO-228	Orifice size (mm)	Differential pressure (bar)				Kv (m <sup>3</sup> /h)	Series and type		Power absorption		Sealings	Notes	Weight (kg)	
		Δp min	Δp max		Valve		Coil	AC (VA)		DC (W)				
			Gases	Liquids				Inrush	Holding					
G 1/4	3	0	7	-	7	0,25	Z610A	16	10	-	-	-	NBR	
				-	-								FPM	
	2,5		-	2,5	-	NBR								
	-		-	-	-	FPM								
	4,5	1	1	-	-	0,65		Z610A	-	-			6	NBR
				-	-									-
	6	0,3	0,3	-	-	0,65		Z610A	-	-			6	NBR
				-	-									-

► **NOTES**

- Sealings: FPM = Fluoro-carbon elastomer NBR = Nitrile-butylene elastomer

# L171

## ► SPARE PARTS



### Kit description

### Kit P.N.

### Consisting of:

Core Kit	L171B13 Ø3	G2937301	Core pos.2 Core return spring pos.3 OR guide assembly pos.4
	L171B13 Ø4,5 - 6	G2951301	
	L171V13 Ø3	G2937303	
	L171V13 Ø4,5 - 6	G2951302	
Core return spring kit	L171B14 Ø3	G2951201	N.10 core return spring pos.3
	L171B14 Ø6	G2951401	
	L171V14 Ø3	G2951202	
	L171V14 Ø4,5 - 6	G2951402	
OR guide assembly kit	L171B-V13	G2927101	N.10 OR guide assembly kit pos.4
	L171B-V14 Ø3	G2926901	
	L171B-V14 Ø6	G2960901	
Guide pipe assembly kit	L171B13-14	GU2421000017	Guide pipe assembly pos.5 Coil clip
	L171V13-14	GU2424000017	
Coil		Z610A	Coil pos.1

## ► INSTALLATION

- Solenoid valve can be mounted in any position; vertical with coil upwards preferred.