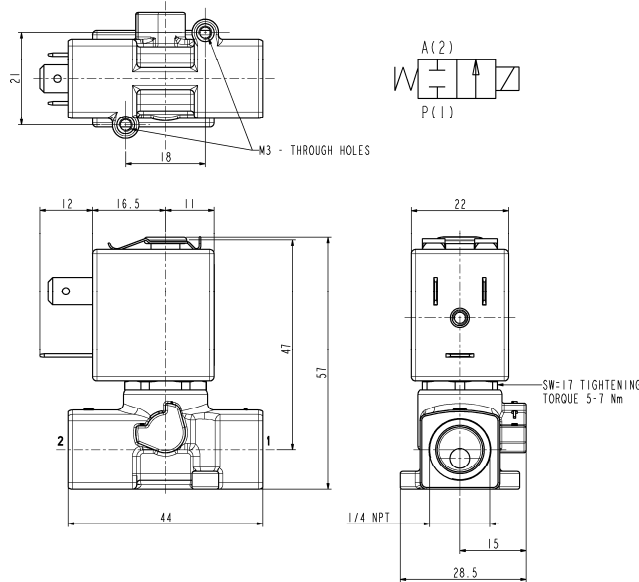




SOLENOID VALVE
2/2- NC (Normally closed)
Direct acting
1/4 NPT

L176-NPT



► **GENERAL FEATURES**

Direct acting solenoid valve.
 Suitable to shut off liquid and gaseous fluids (verify the compatibility of fluid with material in contact).

► **TECHNICAL FEATURES**

Maximum allowable pressure (PS) 50bar
 Opening time ~10ms
 Closing time ~10ms
 Fluid temperature -10°C +140°C
 Max viscosity 5°E (~37 cStokes or mm²/s)

► **MATERIALS IN CONTACT WITH FLUID**

Body Stainless steel AISI 316
 Sealing EPDM
 Internal components Stainless steel
 Seat Stainless steel AISI 316
 Core tube Stainless steel
 Shading coil Pure silver

► **COIL**

According to standards

Encapsulation material

Insulation class

Ambient temperature

Continuous duty

Electric connection

Protection degree

Voltages DC

AC

ZB12A | ZB14A

UL and CSA

PET

(polyethylene-terephthalate)
 fiberglass reinforced

F (155°C)

H (180°C)

-10°C +60°C

-10°C +75°C

ED 100%

DIN 46340 - 3 poles plug connector

IP 67 (EN 60529) with plug connector

12-24V (+10% -5%)

24V/50-60Hz - 115V/50Hz - 230V/50-60Hz
 (+10% -15%)

(Other voltages and frequencies on request).

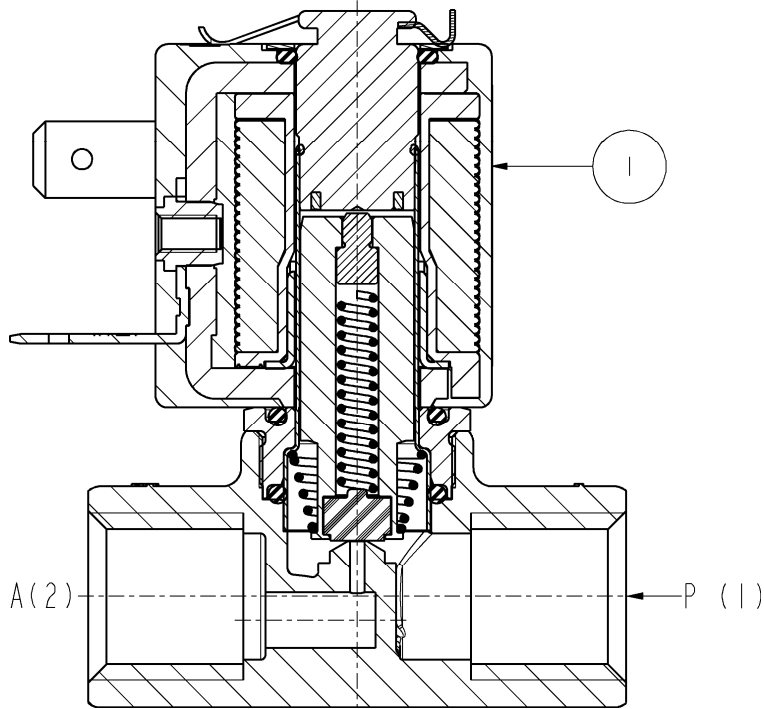
Port size NPT	Orifice size (mm)	Differential pressure (bar)				Kv (m ³ /h)	Series and type		Power absorption				Sealings	Notes	Weight (kg)	
		Δp min	Δp max				Valve	Coil	AC (VA)			DC				
			Gases		Liquids				Inrush	Holding						
			AC	DC	AC					DC	VA					VA
1/4	2,4	0	12	4	12	4	L176P08	ZB12A ZB14A	12	6	4	5,5	EPDM	1		
	2,7		7	1,5	7	1,5										

► **NOTES**

- Sealings: EPDM = ethylene-propylene elastomer (NSF-WRASKTW-ACS approved)
 - ZB12 and ZB14 coils fitted with sealing gaskets underneath and on the upper part (see sectional view on the back)

L176-NPT

► SPARE PARTS



Kit description

Coil

Kit P.N.

ZB12A
ZB14A

Consisting of:

Coil pos.1

► INSTALLATION

- Solenoid valve can be mounted in any position; vertical with coil upwards preferred.

THE VALIDITY OF REPORTED DATA IS REFERRED TO THE DATE OF ISSUE. POSSIBLE UPDATES ARE AVAILABLE ON REQUEST