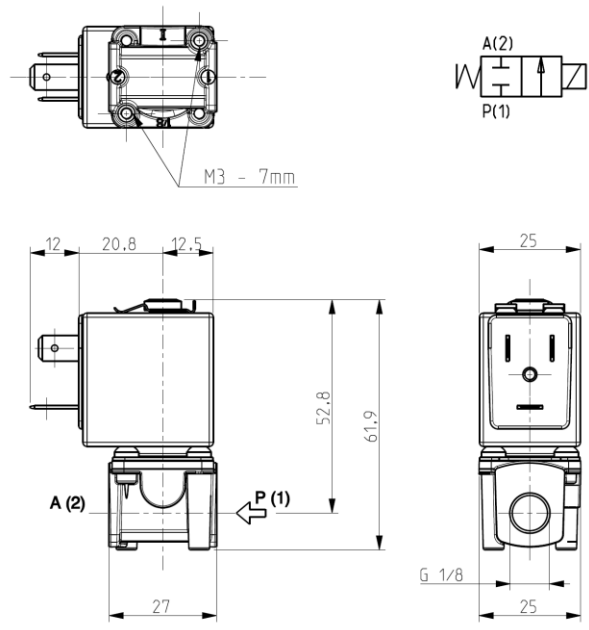




**SOLENOID VALVE**  
**2/2- NC (Normally closed)**  
**Direct acting**  
**G 1/8**

**L177V07-V08**



**► GENERAL FEATURES**

Direct acting solenoid valve.  
 Suitable to shut off liquid and gaseous fluids (verify the compatibility of fluid with material in contact).

**► TECHNICAL FEATURES**

Maximum allowable pressure (PS) 30bar  
 Opening time from ~10ms to ~20ms.  
 Closing time from ~10ms to ~20ms.  
 Fluid temperature 0°C +130°C  
 Max viscosity 5°E (~37 cStokes or mm<sup>2</sup>/s)

**► MATERIALS IN CONTACT WITH FLUID**

Body Brass  
 Sealing FPM  
 Internal components Stainless steel  
 Seat Brass  
 Core tube Stainless steel  
 Shading coil Copper

**► COIL**

Continuous duty ED 100%  
 Encapsulation material PET (polyethylene terephthalate) fiberglass reinforced  
 Insulation class Z610A: F (155°C)  
 Z614A: H (180°C) - UL  
 Ambient temperature Z610A: -10°C +60°C  
 Z614A: -10°C +80°C  
 Electric connection DIN 46340 - 3 poles plug connectors  
 Protection degree IP 65 (EN 60529) with plug connectors  
 Voltages DC 12-24V (+10% -5%)  
 AC Z614A only: 24V/50Hz - 110V/50Hz (120V/60Hz)  
 230V/50Hz (+10% -15%)  
 (Other voltages and frequencies on request).

Port size ISO-228	Orifice size (mm)	Differential pressure (bar)				Kv (m <sup>3</sup> /h)	Series and type		Power absorption			Sealings	Notes	Weight (kg)	
		Δp min	Δp max				Valve	Coil	AC (VA)		DC (W)				
			Gases		Liquids				Inrush	Holding					
			AC	DC	AC										DC
G 1/8	3,2	0	-	5	-	5	L177V07	Z610A	-	-	6	FPM	-	0,170	
			5	1	5	1			L177V08	Z614A					16

**► NOTES**

- Sealings: FPM = Fluoro-carbon elastomer
- 1 - Suitable for operation with vacuum at port A (-1 bar relative pressure)
- 2 - Suitable for 2,6 bar back-pressure against the seal.



青島秉誠自動化設備有限公司  
 地址：中國·青島市重慶南路99號海爾雲街甲3号楼7F

**SIRAI™ - BUSSERO (MI) - Italy - www.sirai.com**

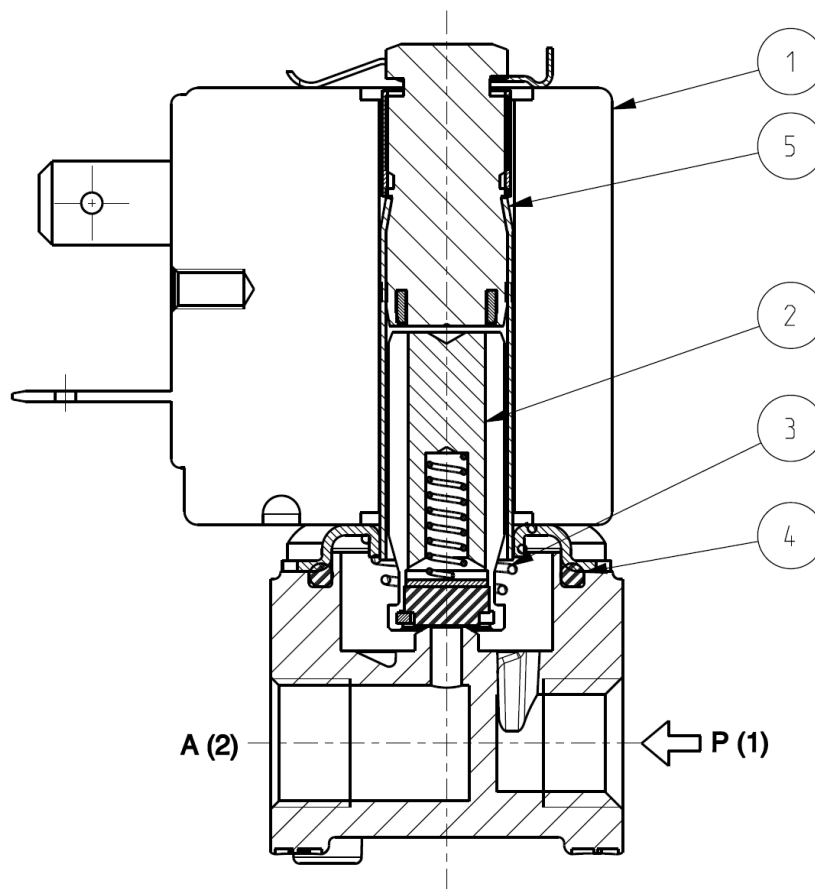
服務熱線：4006-918-365  
 網址：http://www.ivalve.cc

傳真：(86-532)585-10-365  
 Email：sales@bechinas.com

0502/1502

# L177V07-V08

## ► SPARE PARTS



### Kit description

### Kit P.N.

### Consisting of:

Core Kit	L177V07 L177V08	G3014901 G3010401	Core pos.2 OR guide assembly pos.4
Core return spring kit	L177V07 L177V08	G3003301 G3010101	N.10 core return spring pos.3
Guide pipe assembly kit		G3151601	Guide pipe assembly pos.5 Coil clip
Coil		Z610A Z614A	Coil pos.1

## ► INSTALLATION

- Solenoid valve can be mounted in any position; vertical with coil upwards preferred.