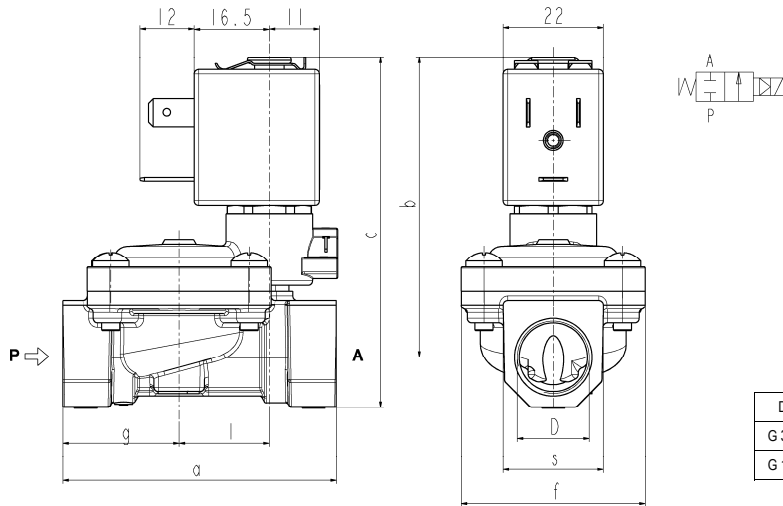




SOLENOID VALVE
2/2- NC (Normally closed)
Pilot operated
G3/8 - G1/2

L182D05



D	a	b	c	f	g	l	s
G 3/8	60	66	77	40	25,5	20	22
G 1/2	66	68	82	40	29	20	27

► **GENERAL FEATURES**

Diaphragm valve, pilot operated, having full orifice.
 Suitable to shut off liquid and gaseous fluids (verify the compatibility of fluid with material in contact).

► **TECHNICAL FEATURES**

Maximum allowable pressure (PS)	20bar	
Response times		
Opening time (ms)	70	70
Closing time (ms)	670	600
Fluid temperature	-10°C +140°C	
Max viscosity	5°E (~37 cStokes or mm ² /s)	

► **MATERIALS IN CONTACT WITH FLUID**

Body	Chemically nickel coated brass (Ni-P)
Sealing	EPDM
Internal components	Brass and stainless steel
Seat	Chemically nickel coated brass (Ni-P)
Core tube	Stainless steel
Shading coil	Copper

► **COIL**

Approval	ZB10A	ZB12A
Encapsulation material	/	UL and CSA
Insulation class	PA fiberglass reinforced	PET fiberglass reinforced
Ambient temperature	F (155°C)	F (155°C)
Continuous duty	-10°C +60°C	-10°C +60°C
Electric connection	ED 100%	
Protection degree	DIN 46340 - 3 poles plug connector	
Voltages	IP 65 (EN 60529) with plug connector	IP 67 (EN 60529) with plug connector
	12-24V (+10% -5%)	
	24V/50-60Hz - 115V/50Hz - 230V/50-60Hz (+10% -15%)	
	(Other voltages and frequencies on request)	

Port size ISO 228	Orifice size (mm)	Differential pressure (bar)				Kv (m ³ /h)	Series and type		Power absorption				Sealings	Notes	Weight (kg)	
		Δp min	Δp max				Valve	Coil	AC (VA)			DC				
			Gases		Liquids				Inrush VA	Holding VA	W					
			AC	DC	AC											DC
3/8	13,5	0,35	16	16	16	16	2,5	L182D05	ZB10A ZB12A	12	6	4	5,5	EPDM	1-2	0,32
1/2			3,8	12	6	4				5,5	0,38					

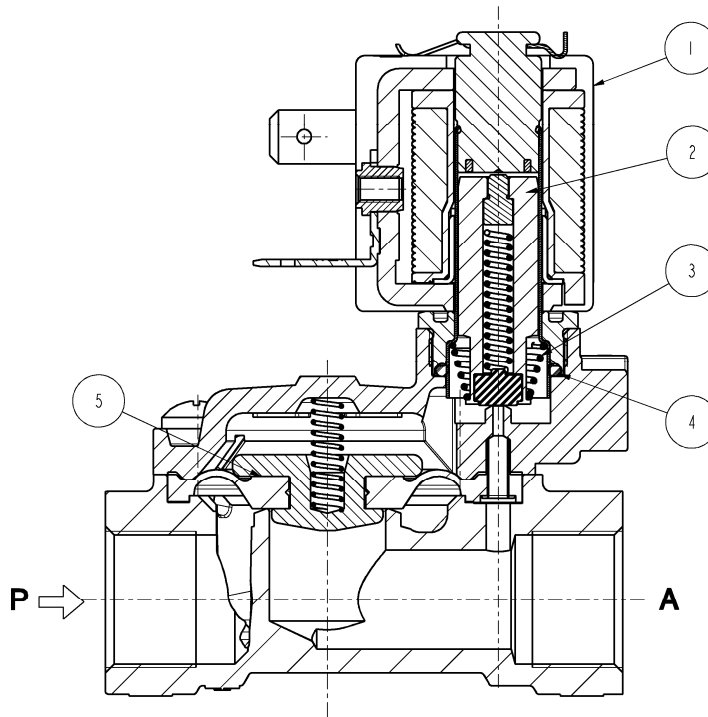
► **NOTES**

- Sealings: EPDM=Ethylene-propylene elastomer (WRAS/KTW certified compound)
- Operation with gaseous media, at high pressure without any outlet restriction, can reduce the diaphragm life.
- 1 - Low power consumption coil on request (3,5 VA in AC - 3W in DC): Δp max = 12 bar
- 2 - **WRAS** certified solenoid valves (certificate n. 1411048).



L182D05

► SPARE PARTS



Kit description	Kit P.N.	Consisting of:
Core kit	G3138202	Core kit pos.2 Core return spring pos. 3 O-Ring guide assembly pos. 4
Diaphragm assembly	2844308R	Diaphragm assembly pos.5
Coil	ZB10 ZB12	Coil pos.1

► INSTALLATION

- Solenoid valve can be mounted in any position; vertical with coil upwards preferred.

THE VALIDITY OF REPORTED DATA IS REFERRED TO THE DATE OF ISSUE. POSSIBLE UPDATES ARE AVAILABLE ON REQUEST.