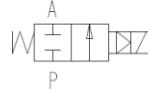
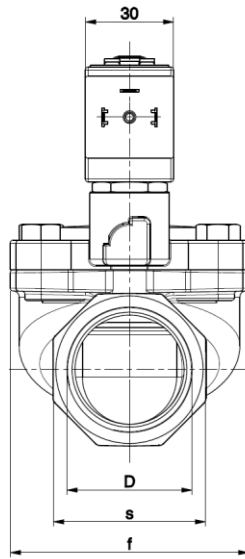
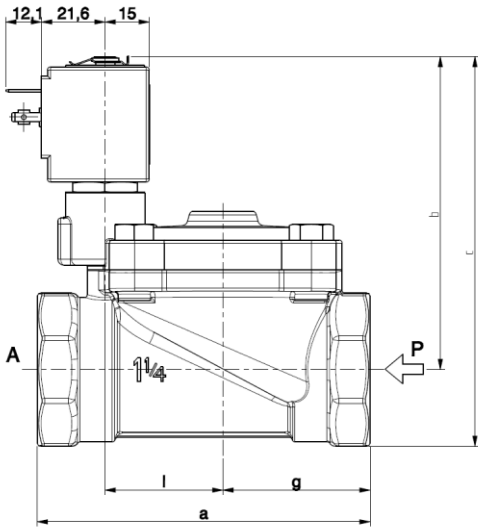




SOLENOID VALVE
2/2 - NC (Normally closed)
 Pilot operated
1 ¼ ÷ 2 NPT

L182D-BIG
 1 ¼ ÷ 2 NPT



D	a	b	c	f	g	l	s
1 ¼	113	106	132	81	50	40	52
1 ½	140	110	140	110	64	53	60
2	157	114	150	110	72	53	72

► **GENERAL FEATURES**

Diaphragm valve, pilot operated, having full orifice.
 Suitable to shut off liquid and gaseous fluids (verify the compatibility of fluid with materials in contact).
 Not suitable for use with dangerous fluids listed in Group 1, therefore they are free from CE marking in conformity with article 3 § 3 of the European Directive 97/23/EC (Pressure Equipment Directive).
 WRAS certified solenoid valves (certificate n. 1411048).

► **TECHNICAL FEATURES**

Maximum allowable pressure (PS)	10 bar		
Response times	1 1/4	1 1/2	2
Opening time (ms)	100	360	360
Closing time (ms)	650	650	650
Fluid temperature	-10°C +85°C		
Max viscosity	5°E (~37 cStokes or mm ² /s)		

► **MATERIALS IN CONTACT WITH FLUID**

Body	Brass
Sealing	EPDM
Internal components	Brass and stainless steel
Seat	Brass
Guide assembly	Stainless steel
Shading ring	Copper

► **COIL**

Continuous duty	ED 100%
Encapsulation material	PPS (Polyphenylsulfure) fiberglass reinforced
Coil insulation class	F (155°C) on request class H (180°C) – UL (vd. ZA34)
Ambient temperature	-10°C +50°C
Electric connections	DIN 46340 - 3 poles connectors (EN175301-803)
Protection degree	IP 67 (EN 60529) with plug connector
Voltages	DC 12-24V (+10% -5%)
	AC 24V/50Hz - 110V/50Hz (120V/60Hz) - 230V/50Hz (+10% -15%)
	(Other voltages and frequencies on request)

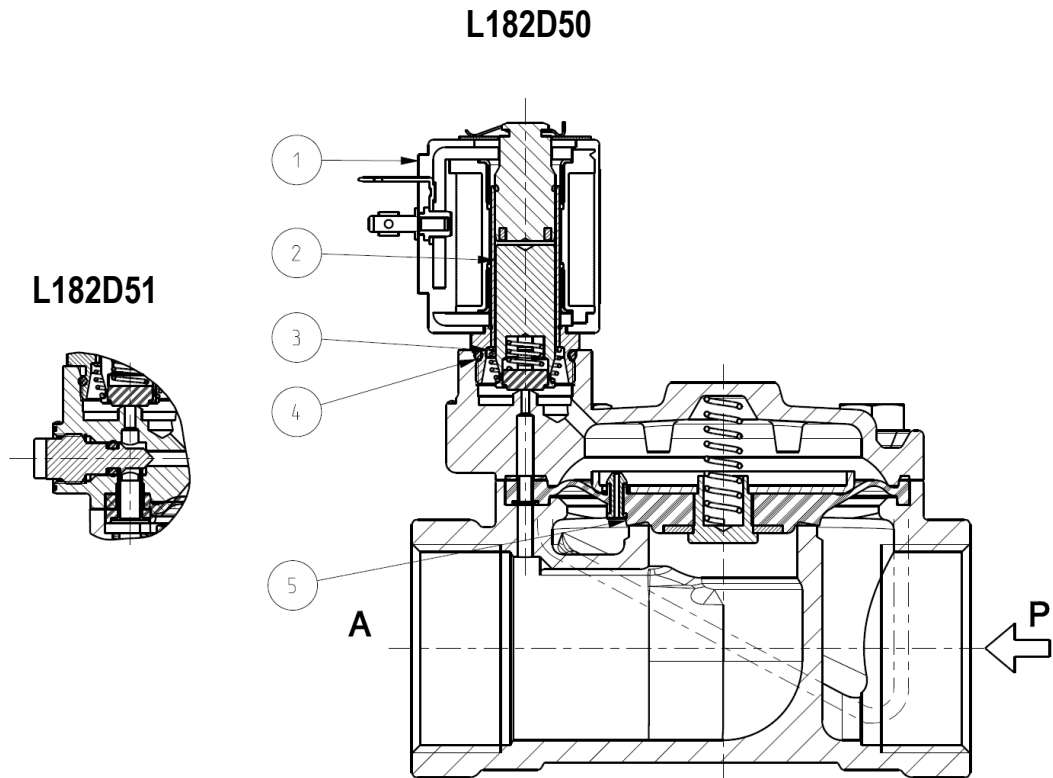
Port size	Orifice size (mm)	Differential pressure (bar)				Kv (m ³ /h)	Series and type			Power absorption			Sealings	Notes	Weight (kg)	
		Δp min	Δp max		Valve		Valve with manual override	Coil	AC (VA)		DC (W)					
			Gases	Liquids					Inrush	Holding						
			AC	DC	AC	DC										
1 ¼ NPT	30	0,50	10	10	10	10	15	L182D50	L182D51	ZA10A	23	14	9	EPDM	-	1,590
1 ½ NPT	45															2,510
2 NPT	45															34

► **NOTES**

- Sealings : EPDM = Ethylene-propylene elastomer
- Operation with gaseous fluids at high pressure without any outlet restriction can reduce the diaphragm life.

L182D-BIG – 1" ¼ ÷ 2" NPT

► SPARE PARTS



Kit description

Core kit

Kit P.N.

G3146803

Consisting of:

Core pos. 2
Core return spring pos. 3
OR guide assembly pos. 4

Diaphragm kit

1 ¼ NPT	2400804R
1 ½ - 2 NPT	2401305R

Diaphragm assembly pos. 5

Coil

ZA10A

Coil pos. 1

► MOUNTING

Solenoid valve can be mounted in any position; vertical with coil upwards preferred.

THE VALIDITY OF REPORTED DATA IS REFERRED TO THE DATE OF ISSUE. POSSIBLE UPDATES ARE AVAILABLE ON REQUEST.