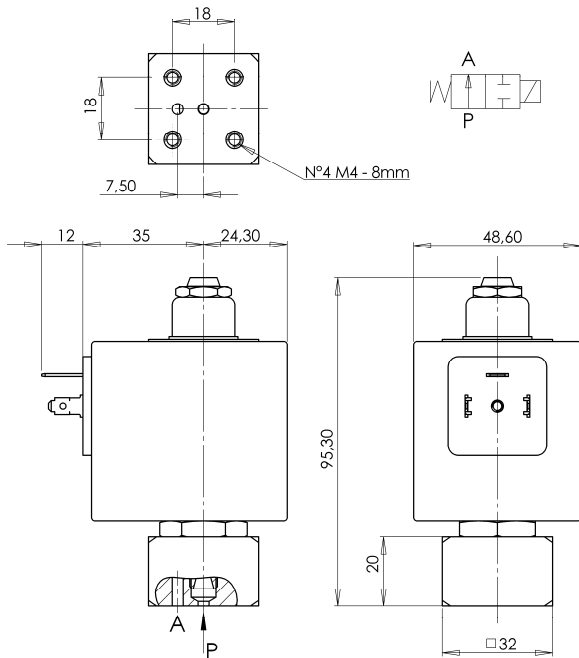




**SOLENOID VALVE**  
**2/2 - NO (Normally open)**  
**Direct acting**  
**Sub-base mounting**

**L248**



► **GENERAL FEATURES**

Direct acting solenoid valve, designed for sub-base mounting or directly on the equipment.  
 Inlet and outlet ports placed asymmetrically at the bottom of the body.  
 Suitable to shut off liquid and gaseous fluids; (verify the compatibility of fluid with materials in contact).

► **TECHNICAL FEATURES**

*Maximum allowable pressure (PS)* 40 bar  
*Opening time* ~ 30ms  
*Closing time* ~ 30ms  
*Fluid temperature* -10°C +170°C  
*Max viscosity* 5°E (~37 cStokes or mm<sup>2</sup>/s)

► **MATERIALS IN CONTACT WITH FLUID**

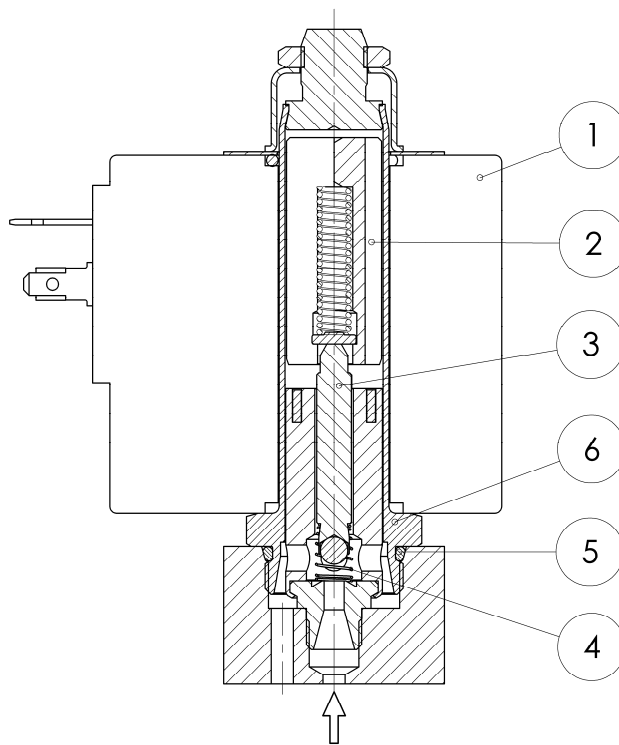
*Body* Brass  
*Sealing* Stainless steel  
*Internal components* Stainless steel  
*Seat* Stainless steel  
*Guide assembly* Stainless steel  
*Shading ring* Copper

► **COIL**

*Continuous duty* ED 100%  
*Encapsulation material* PPS (Polyphenilsulfure) fiberglass reinforced  
*Coil insulation class* H (165°C)  
*Ambient temperature* -10°C +80°C  
*Electric connections* DIN 46340 - 3 poles connectors (EN175301-803)  
*Protection degree* IP 65 (EN 60529) with plug connector  
*Voltages AC* 24V/50Hz - 110V/50Hz (120V/60Hz) - 230V/50Hz (+10% -15%)  
 (Other voltages and frequencies on request).

Port size	Orifice size (mm)	Differential pressure (bar)				Kv (m <sup>3</sup> /h)	Series and type		Power absorption			Sealings	Notes	Weight (kg)	
		Δp min	Δp max				Valve	Coil	AC (VA)		DC (W)				
			Gases		Liquids				Inrush	Holding					
			AC	DC	AC										DC
-	3	0	-	-	30	-	0,25	L248M03	Z923A	50	27	-	Stainless steel	-	0,790

► SPARE PARTS



Kit description	Kit P.N.	Consisting of:
Core kit	G3085801	Core pos. 2 Sealing group pos.3 Sealing return spring pos. 4 OR guide assembly pos. 5
Sealing return spring kit	G2029901	N°. 10 Sealing return spring pos.4
OR guide assembly kit	GU2424000017	N. 10 OR guide assembly pos. 5
Guide pipe assembly	3085601R	Guide pipe assembly pos. 6
Coil	Z923A	Coil pos. 1

► MOUNTING

Solenoid valve can be mounted in any position; vertical with coil upwards preferred.

THE VALIDITY OF REPORTED DATA IS REFERRED TO THE DATE OF ISSUE. POSSIBLE UPDATES ARE AVAILABLE ON REQUEST.