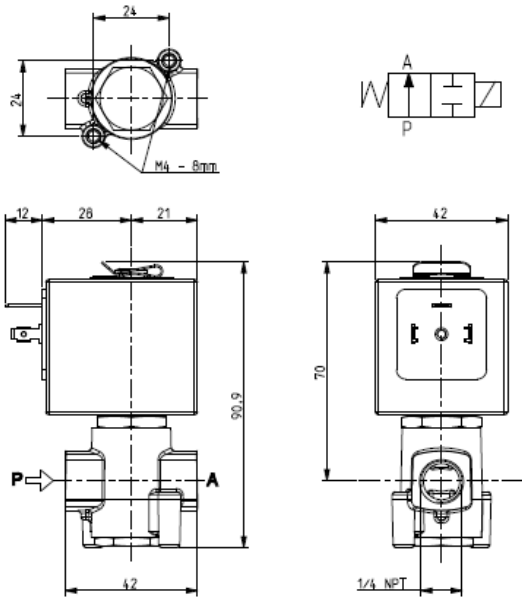




SOLENOID VALVE
2/2 - NO (Normally open)
 Direct acting
1/4 NPT

L256-NPT



► **GENERAL FEATURES**

Direct acting solenoid valve, suitable for vacuum at port "P" (PA - PP = 1 bar)
 Suitable to shut off liquid and gaseous fluids (verify the compatibility of fluid with materials in contact).

► **TECHNICAL FEATURES**

Maximum allowable pressure (PS) 40 bar
 Opening time ~30ms
 Closing time ~30ms
 Fluid temperature 0°C +130°C
 Max viscosity 5°E (~37 cStokes or mm²/s)

► **MATERIALS IN CONTACT WITH FLUID**

Body Brass
 Sealing FPM
 Internal components Stainless steel
 Seat Brass
 Core tube Stainless steel
 Shading coil Copper

► **COIL**

Continuous duty ED 100%
 Encapsulation material PET (polyethylene-terephthalate) fiberglass reinforced
 Insulation class F (140°C) on request class H (165°C) - UL
 Ambient temperature -10°C +60°C
 Electric connections DIN 46340 - 3 poles connectors (DIN 43650)
 Protection degree IP 65 (EN 60529) with plug connector
 Voltages DC 12-24V (+10% -5%)
 AC 24V/50Hz - 110V/50Hz (120V/60Hz) - 230V/50Hz (+10% -15%)
 (Other voltages and frequencies on request)

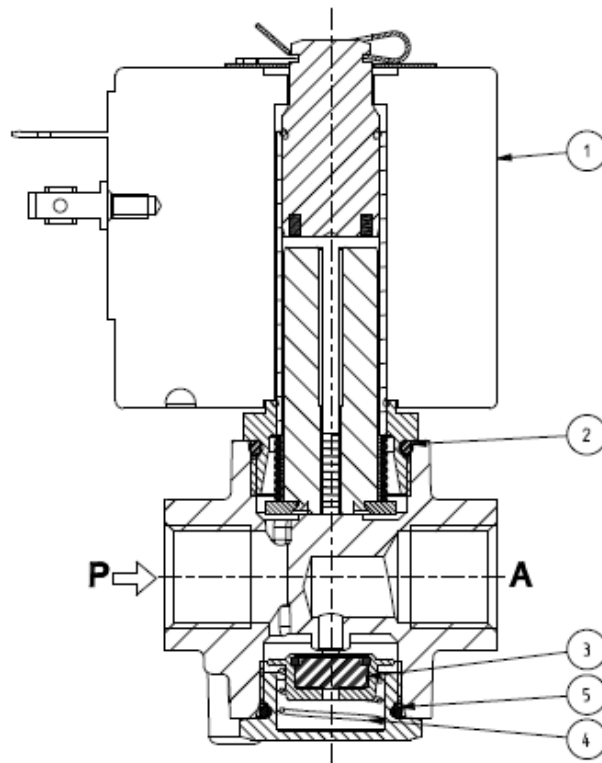
| Port size (ins) | Orifice size (mm) | Differential pressure (bar) | | | | Kv (m ³ /h) | Series and type | | Power absorption | | | Sealings | Function Notes | Weight (kg) | |
|-----------------|-------------------|-----------------------------|--------|----|---------|------------------------|-----------------|---------|------------------|---------|--------|----------|----------------|-------------|-------|
| | | Δp min | Δp max | | | | Valve | Coil | AC (VA) | | DC (W) | | | | |
| | | | Gases | | Liquids | | | | Inrush | Holding | | | | | |
| | | | AC | DC | AC | | | | | | | | | | DC |
| 1/4 NPT | 3,2 | 0 | 12 | 12 | 10 | 10 | 0,30 | L256V09 | Z130A | 44 | 24 | 13 | FPM | - | 0,535 |

► **NOTES**

- Sealings : FPM = Fluoro-carbon elastomer

L256-NPT

► SPARE PARTS



Kit description

Core sealing assembly kit

OR guide assembly kit

OR cap kit

Coil

Kit P.N.

G3093101

GU242400017

GU2424000155

Z130A

Consisting of:

Sealing group pos.3
Sealing return spring pos.4
OR cap pos. 5

N°.10 OR guide assembly pos. 2

N°.10 OR cap pos.5

Coil pos.1

► INSTALLATION

Solenoid valve can be mounted in any position; vertical with coil upwards preferred.

THE VALIDITY OF REPORTED DATA IS REFERRED TO THE DATE OF ISSUE. POSSIBLE UPDATES ARE AVAILABLE ON REQUEST.