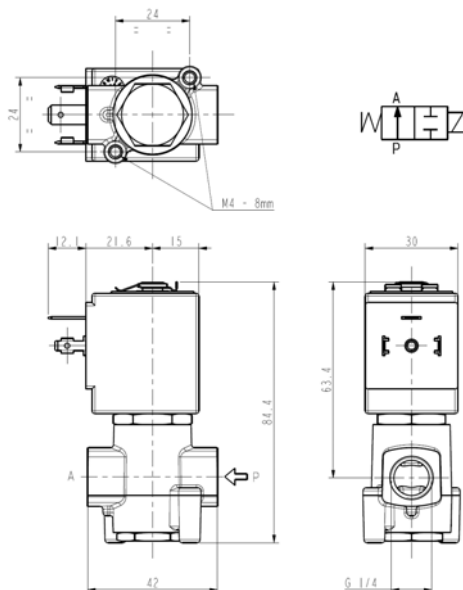




SOLENOID VALVE
2/2 - NO (Normally open)
Direct acting
G 1/4

L256V



► **GENERAL FEATURES**

Direct acting solenoid valve, suitable for vacuum at port "P" (PA – PP = max 1 bar)

Suitable to shut off liquid and gaseous fluids; particularly suitable in the applications in sterilising autoclaves (verify the compatibility of fluid with materials in contact).

► **TECHNICAL FEATURES**

Maximum allowable pressure (PS) 40 bar
 Opening time ~20ms
 Closing time ~20ms
 Fluid temperature 0°C +130°C (FPM)
 Max viscosity 5°E (~37 cStokes or mm²/s)

► **MATERIALS IN CONTACT WITH FLUID**

Body Brass or chemically nickel coated (Ni-P) brass
 Sealing FPM
 Internal components Stainless steel
 Seat Stainless steel
 Core tube Stainless steel
 Shading coil Copper

► **COIL**

Approval UL (class F) – for UL cl.H: ZA34
 ED 100%
 Encapsulation material PPS (Polyphenylsulfure) fiberglass reinforced
 Insulation class F (155°C) on request class H (180°C)
 Ambient temperature -10°C +50°C
 Electric connections DIN 46340 - 3 poles connectors (DIN 43650)
 Protection degree IP 67 (EN 60529) with plug connector
 Voltages DC 12-24V (+10% -5%)
 AC 24V/50Hz - 110V/50Hz (120V/60Hz) - 230V/50Hz (+10% -15%)
 (Other voltages and frequencies on request)

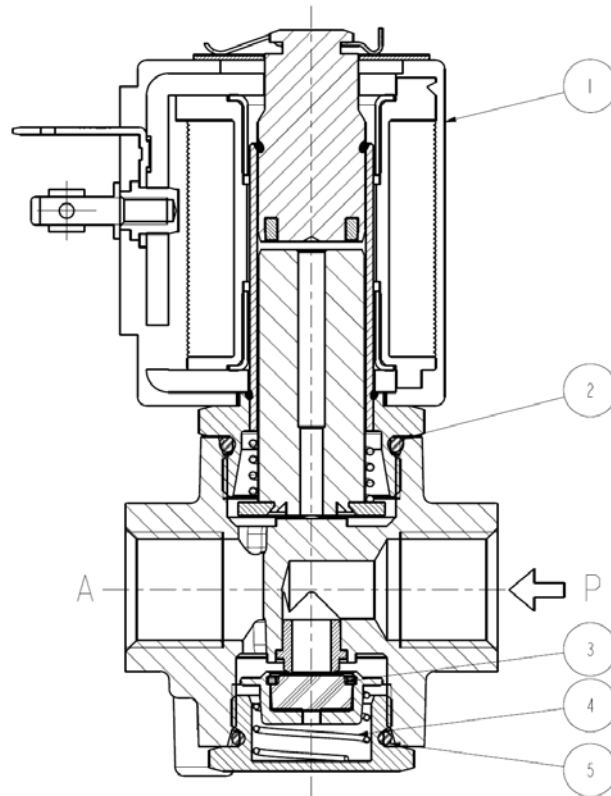
Port size ISO 228	Orifice size (mm)	Differential pressure (bar)				Kv (m ³ /h)	Series and type		Power absorption			Sealings	Notes	Weight (kg)	
		Δp min	Δp max				Valve	Coil	AC (VA)		DC. (W)				
			Gases		Liquids				Inrush	Holding					
			AC	DC	AC										DC
G 1/4	3,2	0	4	4	4	4	L256V12	ZA10A	23	14	9	FPM	1		
			4	4	4	4							L256V14	1 - 2	
			2,5	2,5	2,5	2,5							L256V12	-	

► **NOTES**

- Sealings : FPM = Fluoro-carbon elastomer
- IMQ CSV approval, see ZA10 datasheet for further details
- UL approved coil (E153691)
- 1 - Only for use with steam, consider following values: max pressure 2,8 bar (max fluid temperature 130°C).
- 2 - Chemically nickel coated (Ni-P) brass body.

L256V

► SPARE PARTS



Kit description

Sealing assembly kit

OR guide assembly kit

OR cap kit

Coil

Kit P.N.

G3124301

GU242400017

GU2424000155

ZA10A

Consisting of:

Sealing group pos.3
Sealing return spring pos.4
OR cap pos. 5

N°.10 OR guide assembly pos. 2

N°.10 OR cap pos.5

Coil pos.1

► INSTALLATION

Solenoid valve can be mounted in any position; vertical with coil upwards preferred.

THE VALIDITY OF REPORTED DATA IS REFERRED TO THE DATE OF ISSUE. POSSIBLE UPDATES ARE AVAILABLE ON REQUEST.