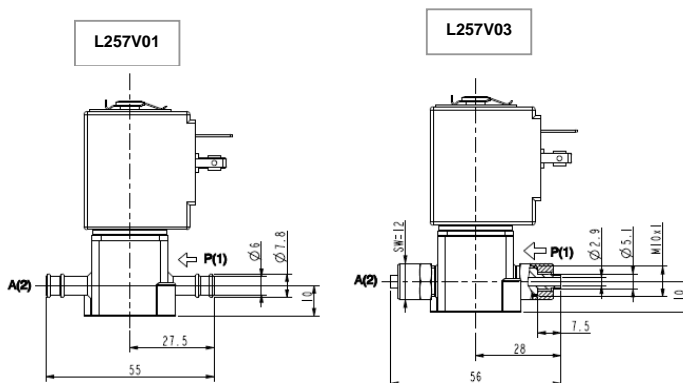
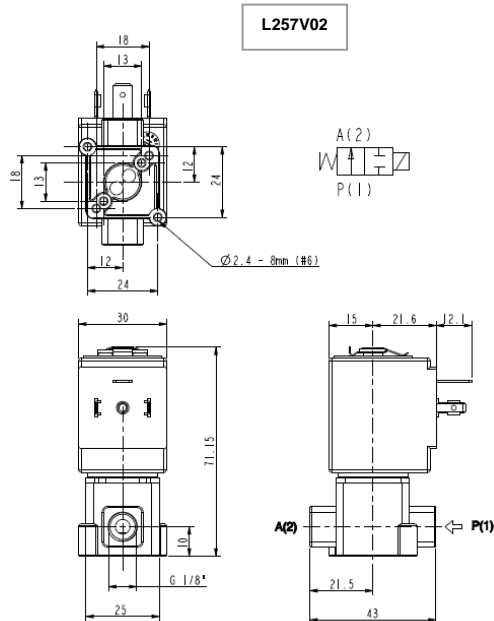




SOLENOID VALVE
2/2 - NO (Normally open)
Direct acting
G1/8 - Barbed ports

L257



► GENERAL FEATURES

Direct acting solenoid valve, suitable for vacuum at port "P"
(PA - PP = max 1 bar).
Suitable to shut off liquid and gaseous fluids; suitable for low pressure steam and applications in sterilising autoclaves (verify the compatibility of fluid with materials in contact).

► TECHNICAL FEATURES

Maximum allowable pressure (PS) 10 bar
Opening time ~20ms
Closing time ~20ms
Fluid temperature 0°C +130°C
Max viscosity 5°E (~37 cStokes or mm²/s)

► MATERIALS IN CONTACT WITH FLUID

Body PPS
Sealing FPM
Internal components Stainless steel and PPS
Seat PPS
Core tube Stainless steel
Shading coil Copper

► COIL

Approval UL (class F) - for UL cl.H: ZA34
Continuous duty ED 100%
Encapsulation material PPS (Polyphenylsulfure) fiberglass reinforced
Insulation class F (155°C) on request class H (180°C)
Ambient temperature -10°C +50°C
Electric connections DIN 46340 - 3 poles connectors (EN175301-803)
Protection degree IP 67 (EN 60529) with plug connector
Voltages DC 12-24V (+10% -5%)
AC 24V/50Hz - 110V/50Hz (120V/60Hz) - 230V/50Hz (+10% -15%)
(Other voltages and frequencies on request)

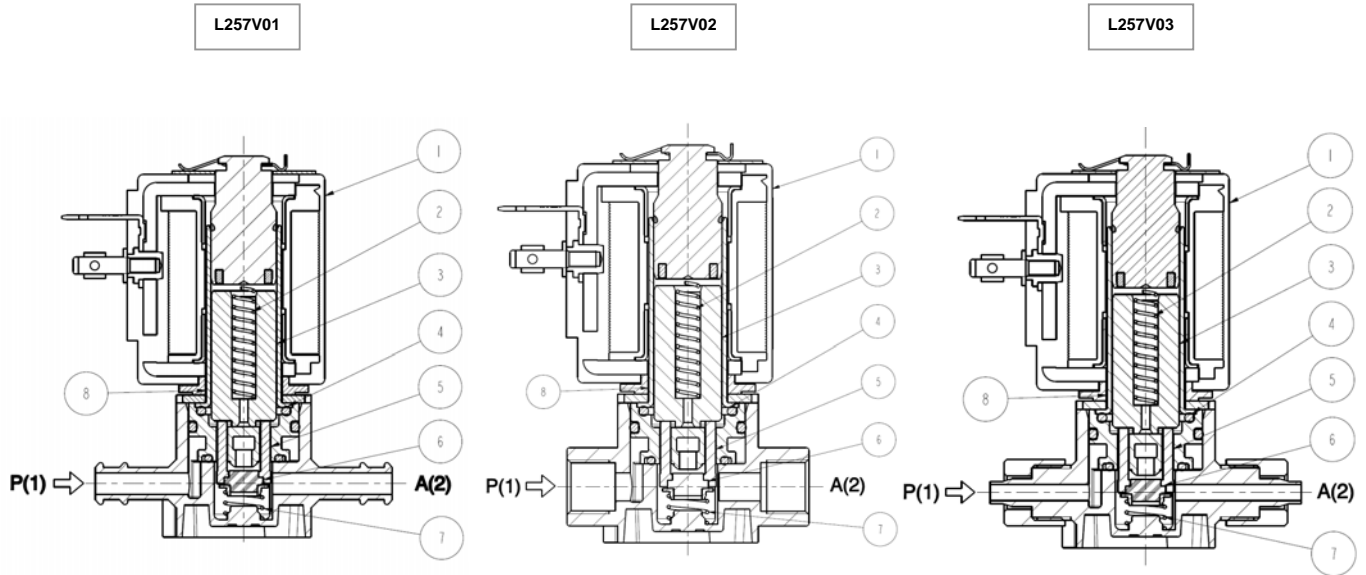
Port size G=ISO228	Orifice size (mm)	Differential pressure (bar)				Kv (m ³ /h)	Series and type		Power absorption			Sealings	Notes	Weight (kg)
		Δp min	Δp max		Valve		Coil	AC (VA)		DC (W)				
			Gases	Liquids				Inrush	Holding					
			AC	DC	AC	DC								
Barbed ports	3	0	3	3	3	3	L257V01	ZA10A	23	14	9	FPM	1 - 2	0,210
G1/8							L257V02						1 - 2 - 3	
Barbed ports with ring nut							L257V03						1 - 2 - 4	

► NOTES

- Sealings : FPM = Fluoro-carbon elastomer
- IMQ CSV approval, see ZA10 datasheet for further details
- UL approved coil (E153691)

- 1 - The pressure values shown in the table refer to the potential of the valve: they can be lower depending on the connection system used
- 2 - Only for use with steam, consider following values: PSmax 2,8 bar (max fluid temperature 130°C)
- 3 - Maximum driving torque of the pipe fittings for thread connections = 2Nm
- 4 - Maximum driving torque of ring nut 1,2Nm

► SPARE PARTS



Kit description

Kit P.N.

Consisting of:

Core kit

G3138301

Core return spring pos. 2
Core pos. 3
O-Ring guide assembly pos.4
Pusher pos. 5
Sealing disc return spring pos. 7
Sealing disc pos. 6

Core return spring kit

G290513-001

N°.10 Core return spring pos. 2

O-Ring guide assembly kit

GU2428000015

N°. 10 OR guide assembly pos.4

Guide assembly kit

G31488

Guide assembly pos.8
Coil clip

Coil

ZA10A

Coil pos.1

► INSTALLATION

- Solenoid valve can be mounted in any position; vertical with coil upwards preferred.
- When using any sealant for fittings, please check its chemical compatibility with body material (PPS).
- In case of disassembling for usual maintenance, the fixing screws of the guide assembly have to be tightened with $0,6 \pm 0,7$ Nm torque.

THE VALIDITY OF REPORTED DATA IS REFERRED TO THE DATE OF ISSUE. POSSIBLE UPDATES ARE AVAILABLE ON REQUEST.